

Insulating Nuts for CF8 Fuse



Specifications

Material: Thermoplastic, Duroplastic
Packaging unit: Pos.1 = 250 pieces
 Pos.2 + 3 = 100 pieces

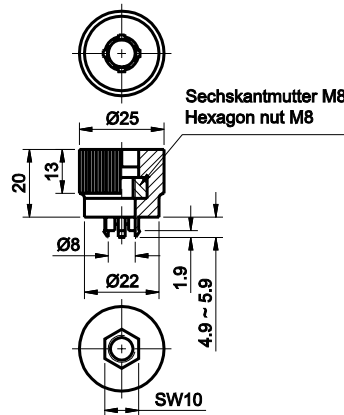
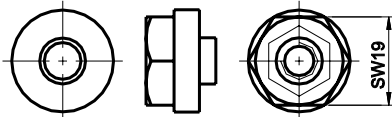
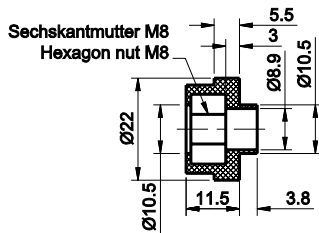
| Series Serien | Pack Size |
|------------------|--------------|
| 255.0808.xxx1 | 250 |
| 255.0899.xxx1 | 100 |

Fuse Holders
High Current

Insulating nuts for CF8 Fuse links.

Isoliermuttern für CF8-Sicherungen.

Dimensions in mm / Maße in mm



| Part Number Artikel-Nr. | Description Beschreibung | Contact Temperature Kontakttemperatur |
|----------------------------|--|--|
| 255.0808.0001 | Insulating nut (Duroplastic) | max. 300 A (23°C+/-5°C) |
| 255.0899.4001 | Insulating nut with locking hook 4.9mm (Thermoplastic) (Red) | max. 150 A (23°C+/-5°C) |
| 255.0899.5001 | Insulating nut with locking hook 5.9mm (Thermoplastic) (Black) | max. 150 A (23°C+/-5°C) |

Corresponding fuse links see Section "Bolt-down Fuses." If the ring terminal makes contact with the terminal fuse stud, the fuse is bypassed and is not protecting the circuit.