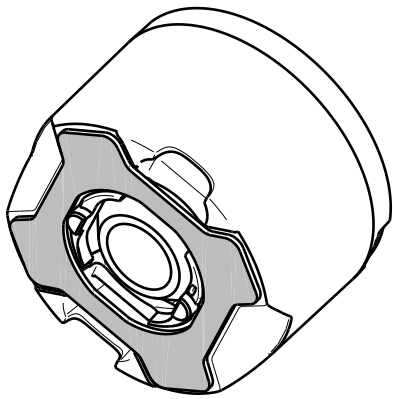


D

C

B

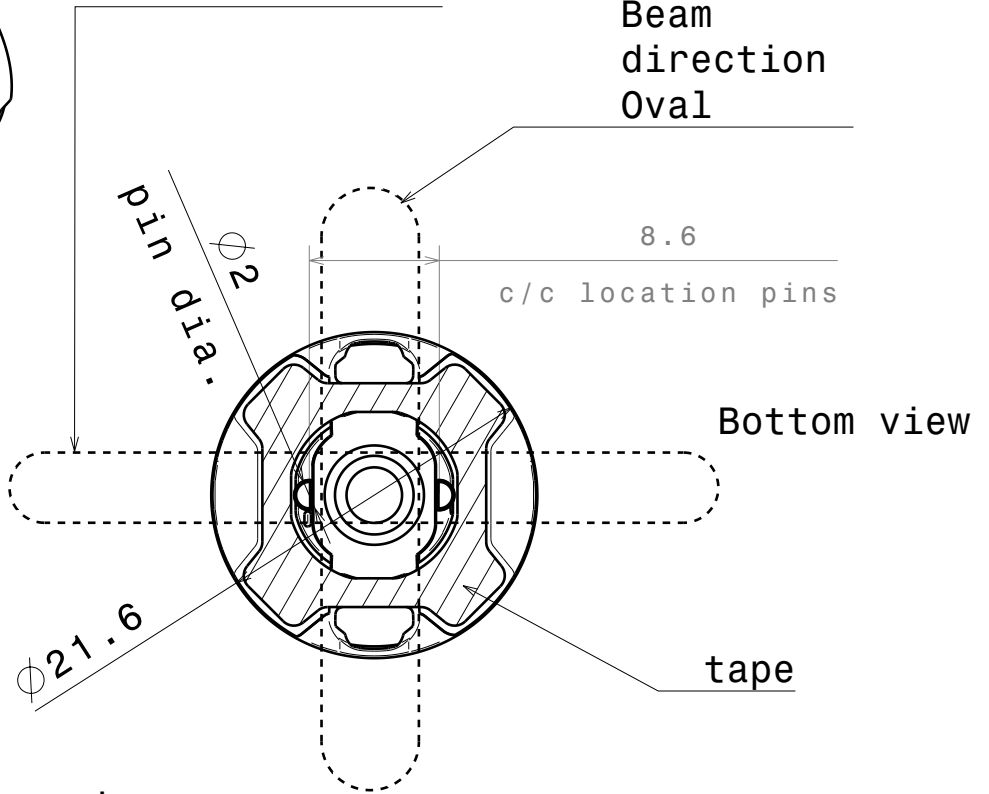
A



Isometric view

Beam direction  
0-90

Beam direction  
Oval

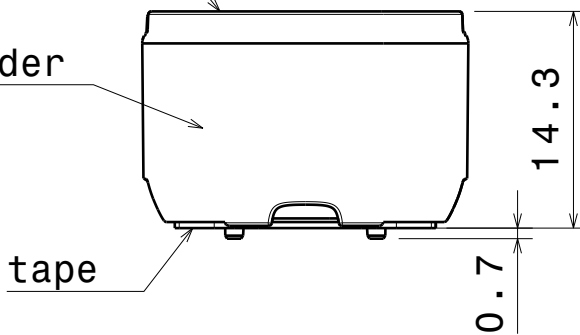


Bottom view

LR2-LH1-tape holder

Lens

Front view



Material:  
 Lens PMMA  
 Holder PC  
 Tape PU foam

This drawing is our property.  
 It can't be reproduced  
 or communicated without  
 our written agreement.



Ledil Oy  
 Salorankatu 10  
 FIN-24100 SALO  
 Finland

DRAWING TITLE

Datasheet LR2-Tape Lens Assy

DRAWN BY

ah

DATE

20.12.2011

CHECKED BY

pv

DATE

20.12.2011

SIZE

A4

DRAWING NUMBER

REV

2

DESIGNED BY

pv

DATE

31.12.2009

SCALE

2:1

WEIGHT (g)

SHEET

1/1

D

A

4

4

3

3

2

2

1

1