

D

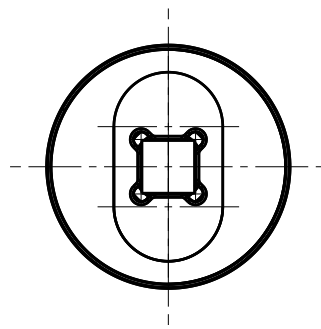
C

B

A

4

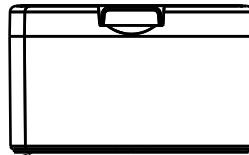
4



Bottom view

3

3



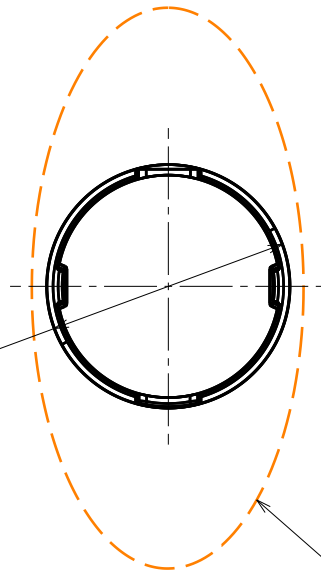
Side view

9.7

Tape

2

2



Top view

Ø16.1

Note! Oval-version beam directions

MATERIALS
 Lens: PMMA
 Holder: PC
 Tape: PU Foam

This drawing is our property.
 It can't be reproduced
 or communicated without
 our written agreement.



L
T
F
F

e
e
i
i
N
n

d
h

DRAWING TITLE

Datasheet Assembly Tina-XP

1

1

DRAWN BY

DATE

p

9.8.2011

CHECKED BY

DATE

t k

25.09.2008

SIZE

DRAWING NUMBER

REV

A4

2

DESIGNED BY

DATE

HH

22.07.2008

SCALE

2:1

WEIGHT (g)

-

SHEET

1/1

D

A