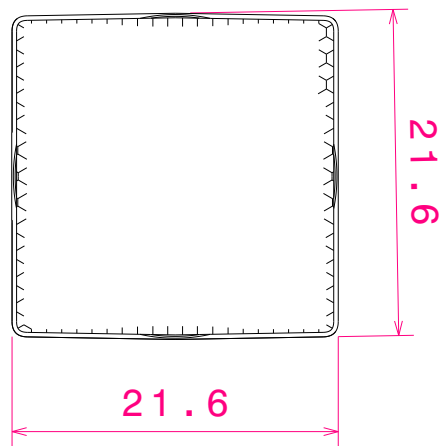
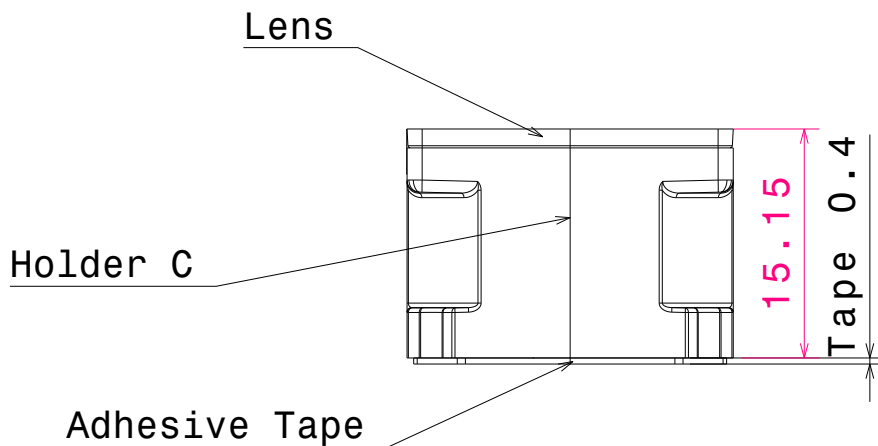


Isometric view
Scale: 1:1



MATERIALS
 LENS: PC
 HOLDER: PC Clear
 TAPE: PU foam with PSA adhesive

This drawing is our property.
 It can't be reproduced
 or communicated without
 our written agreement.



L T F F e i n e i n

DRAWING TITLE

Datasheet K2S-series assy

DRAWN BY
p
DATE
10.09.2008

CHECKED BY
H
DATE
30.11.2006

DESIGNED BY
HH
DATE
30.11.2006

SIZE
A4
DRAWING NUMBER
REV
1

SCALE 2:1 WEIGHT (g) SHEET 1/1

D

A