


**Ordering number CN13582\_ANGELINA-S**

Family	ANGELINA	FWHM	18 degrees
Type	Pack	Efficiency	92 %
LED	LUXEON S3000	cd/lm	3.200
Color	Metal	Gerber File	Available
Diameter	82 mm		
Height	36.94 mm		
Style	Round		
Optic Material	PC		
Holder Material	PC		
Fastening	Screw		
Status	Promotion		

**Ordering number CN13579\_ANGELINA-M**

Family	ANGELINA	FWHM	28 degrees
Type	Pack	Efficiency	92 %
LED	LUXEON S3000	cd/lm	1.800
Color	Metal	Gerber File	Available
Diameter	82 mm		
Height	36.94 mm		
Style	Round		
Optic Material	PC		
Holder Material	PC		
Fastening	Screw		
Status	Promotion		

**Ordering number CN13576\_ANGELINA-W**

Family	ANGELINA	FWHM	44 degrees
Type	Pack	Efficiency	92 %
LED	LUXEON S3000	cd/lm	1.200
Color	Metal	Gerber File	Available
Diameter	82 mm		
Height	36.94 mm		
Style	Round		
Optic Material	PC		
Holder Material	PC		
Fastening	Screw		
Status	Promotion		

**NOTE: The typical divergence will be changed by different color, chip size and chip position tolerance. The typical total divergence is the full angle measured where the luminous intensity is half of the peak value.**



# PRODUCT DATASHEET

## ANGELINA series

last update 23/4/2013

PHILIPS  
LUMILEDS

### GENERAL INFORMATION

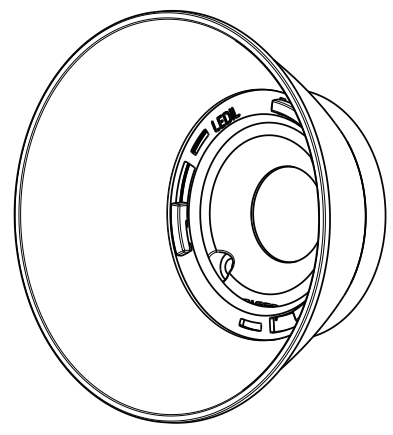
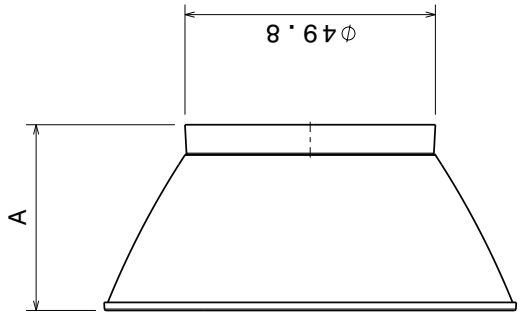
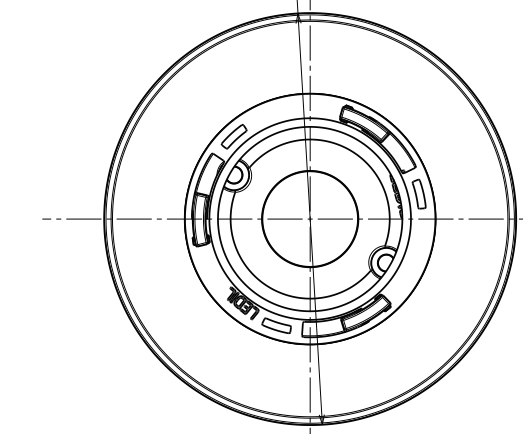
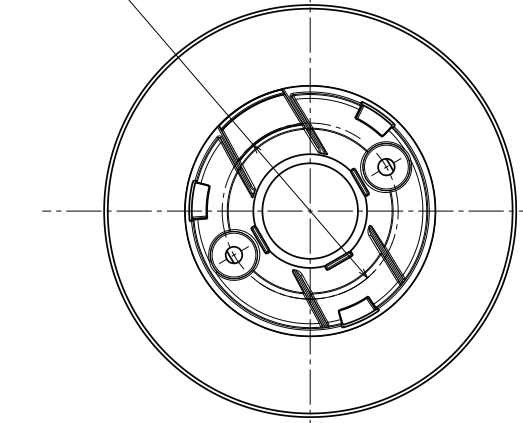
- Product series especially designed & optimized for LUXEON S3000 series of LEDs.
- Special care taken to make light distribution as uniform as possible.
- Reflector is made of aluminium coated PC (120 degrees of Celcius / 248 degrees of Fahrenheit) with protective lacquer (110 degrees of Celcius / 230 degrees of Fahrenheit).
- Optic holder molded by high quality PC material (120 dergees of Celcius / 248 degrees of Fahrenheit).

Ø 3.5

A

Ø 49.8

Ø 81.8



DIMENSION A	
WITH LEDIL LUXEON S SOCKETS	37 mm
WITH TYCO SOCKET	37 mm
WITH LEDIL BRIDGELUX VERO SOCKETS	36 mm

**LEDIL** Oy  
 Salorankatu 10  
 FIN 24240 SALO  
 Finland

DRAWING TITLE  
**DATA SHEET ANGELINA**

SIZE PART NUMBER  
**A3** -

SCALE 1:1 WEIGHT - SHEET 1/1

Tolerances if not otherwise shown  
 According to DIN ISO 2768-1  
 for dimensions up to 30mm class F, otherwise class M.  
 According to DIN ISO 2768-2  
 Form and position: class K



THIRD ANGLE PROJECTION:  
 This drawing is the property  
 of LEDIL Oy. It may not be  
 reproduced, copied or  
 communicated without a written  
 agreement with LEDIL Oy.

A B C D E F G H

4

3

2

1

4

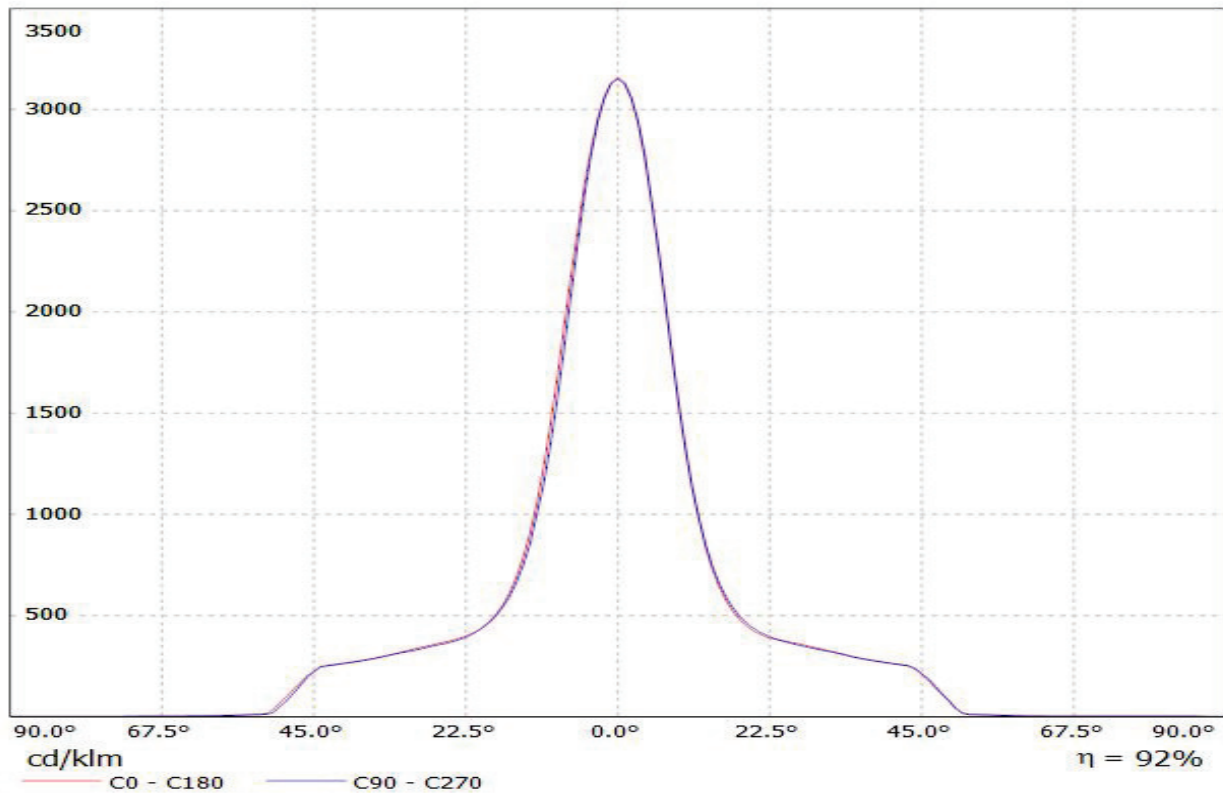
3

2

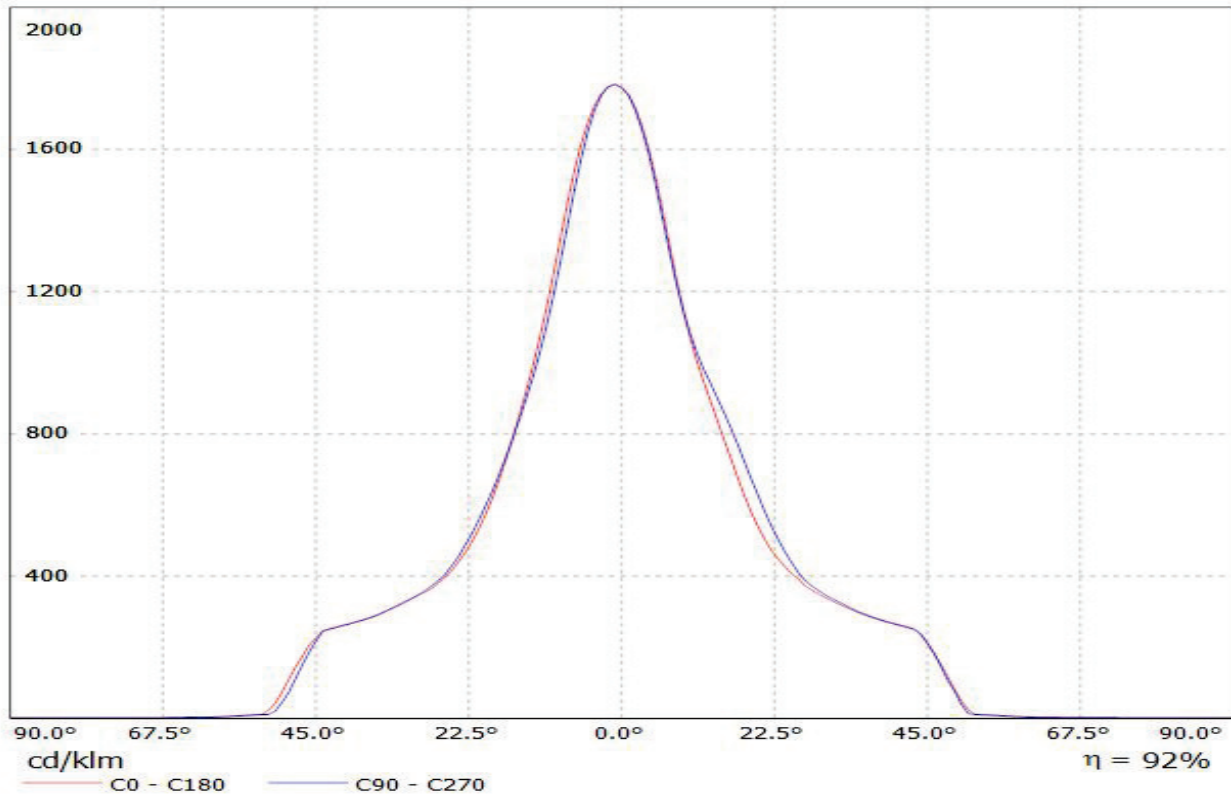
1

A B C D E F G H

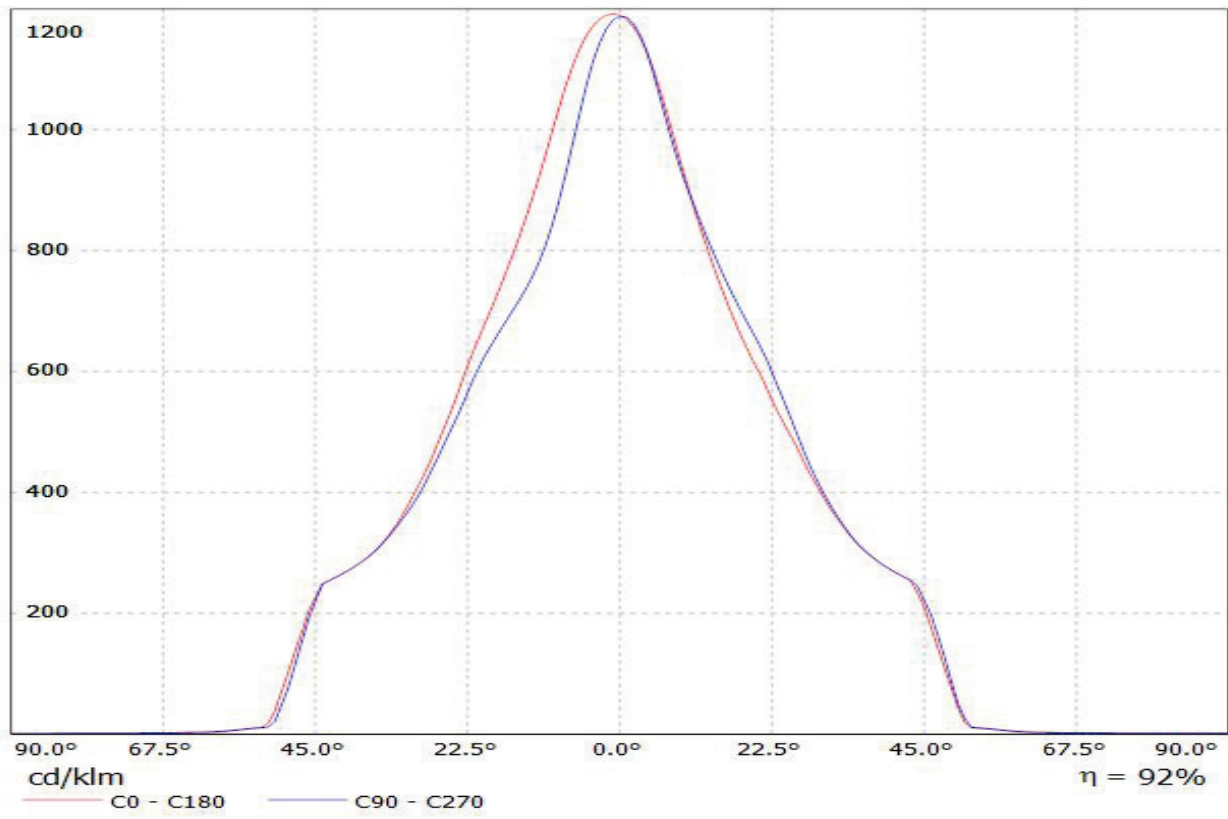
Luminaire: LEDiL Oy CN13582\_ANGELINA-S (Luxeon\_S3000) Eff.92.2%  
Lamps: 1 x Luxeon S3000 633.951lm@100mA CCT=3000K P=6W I=100mA



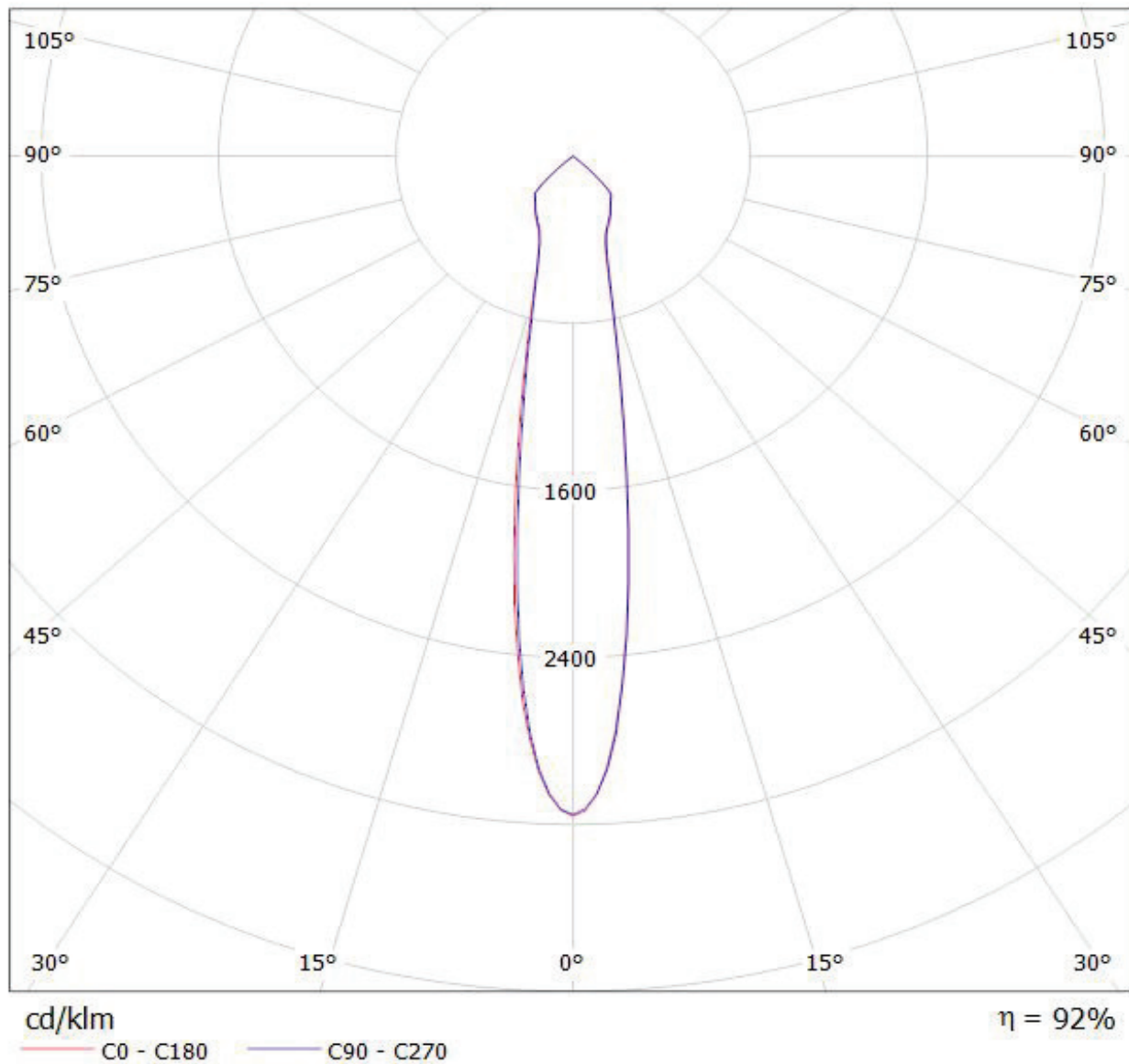
Luminaire: LEDiL Oy CN13579\_ANGELINA-M\_(Luxeon\_S3000) Eff.91.7%  
Lamps: 1 x Luxeon S2000 448.926lm@100mA CCT=3000K P=5W I=100mA



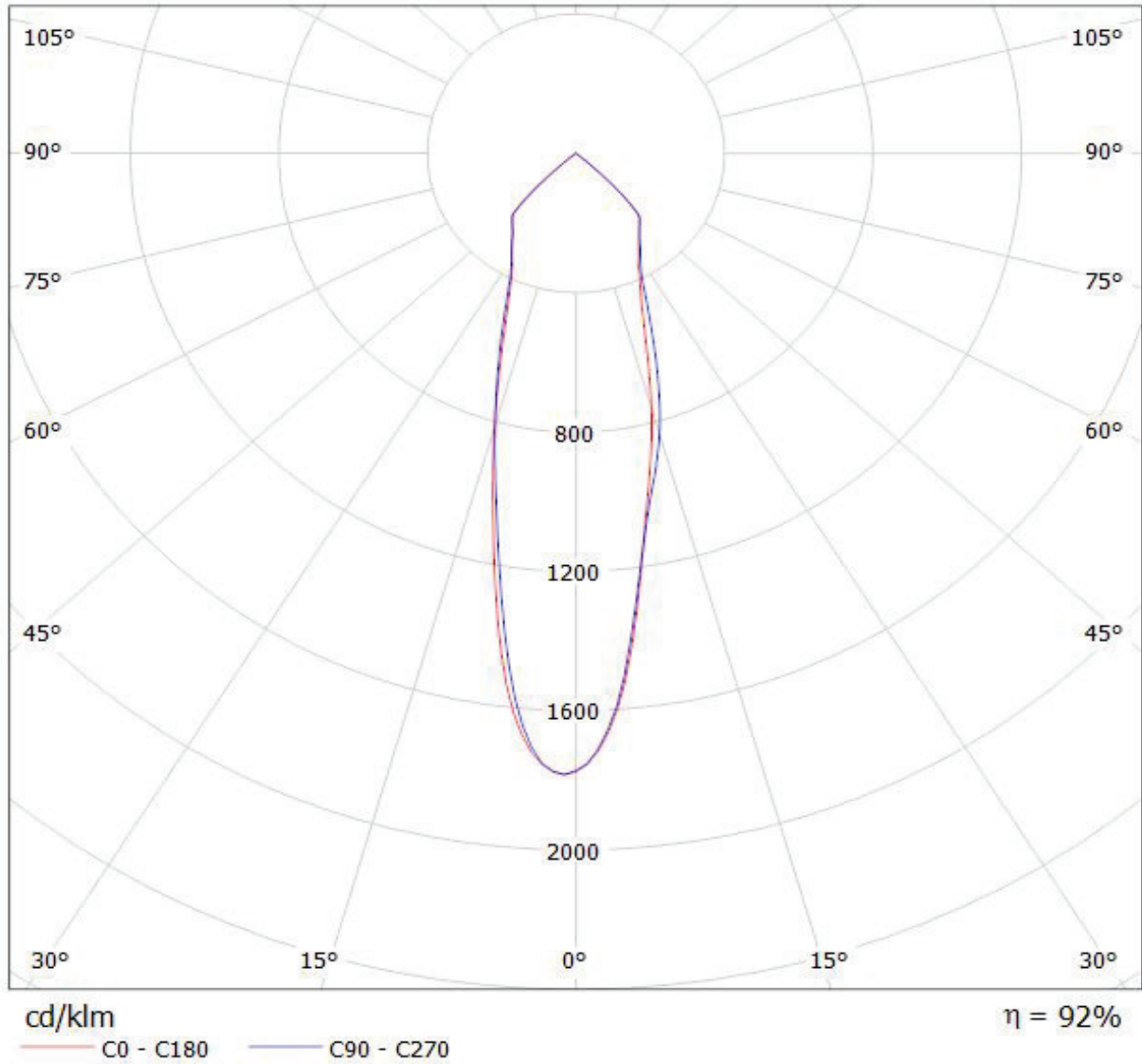
Luminaire: LEDiL Oy CN13576\_ANGELINA-W\_(Luxeon\_S3000) Eff.91.7%  
Lamps: 1 x Luxeon S3000 633.951lm@100mA CCT=3000K P=6W I=100mA



Luminaire: LEDiL Oy CN13582\_ANGELINA-S\_(Luxeon\_S3000) Eff.92.2%  
Lamps: 1 x Luxeon S3000 633.95lm@100mA CCT=3000K P=6W I=100mA



Luminaire: LEDiL Oy CN13579\_ANGELINA-M\_(Luxeon\_S3000) Eff.91.7%  
Lamps: 1 x Luxeon S2000 448.926lm@100mA CCT=3000K P=5W I=100mA





Luminaire: LEDiL Oy CN13576\_ANGELINA-W\_(Luxeon\_S3000) Eff.91.7%  
Lamps: 1 x Luxeon S3000 633.95lm@100mA CCT=3000K P=6W I=100mA

