


Ordering number CN13565_ANGELA-S

Family	ANGELA	FWHM	(simulated) 7.5
Type	Pack	Efficiency	(simulated) 90 %
LED	LUXEON S2000	cd/lm	-
Color	Metal	Gerber File	Available
Diameter	119.5 mm		
Height	80.2 mm		
Style	Round		
Optic Material	PC		
Holder Material	PC		
Fastening	Screw		
Status	Promotion		

For Philips Lumileds Luxeon S5000 LEDiL clamp C13395 inclu

Ordering number CN13568_ANGELA-M

Family	ANGELA	FWHM	(simulated) 19
Type	Pack	Efficiency	(simulated) 90 %
LED	LUXEON S2000	cd/lm	-
Color	Metal	Gerber File	Available
Diameter	119.5 mm		
Height	80.2 mm		
Style	Round		
Optic Material	PC		
Holder Material	PC		
Fastening	Screw		
Status	Promotion		

For Philips Lumileds Luxeon S5000 LEDiL clamp C13395 inclu

Ordering number CN13571_ANGELA-W

Family	ANGELA	FWHM	(simulated) 55
Type	Pack	Efficiency	(simulated) 90 %
LED	LUXEON S2000	cd/lm	-
Color	Metal	Gerber File	Available
Diameter	119.5 mm		
Height	80.2 mm		
Style	Round		
Optic Material	PC		
Holder Material	PC		
Fastening	Screw		
Status	Promotion		

For Philips Lumileds Luxeon S5000 LEDiL clamp C13395 inclu

NOTE: The typical divergence will be changed by different color, chip size and chip position tolerance. The typical total divergence is the full angle measured where the luminous intensity is half of the peak value.



PRODUCT DATASHEET

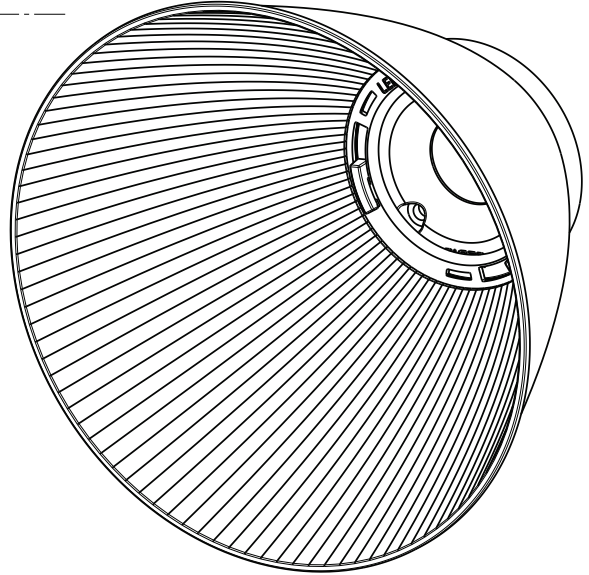
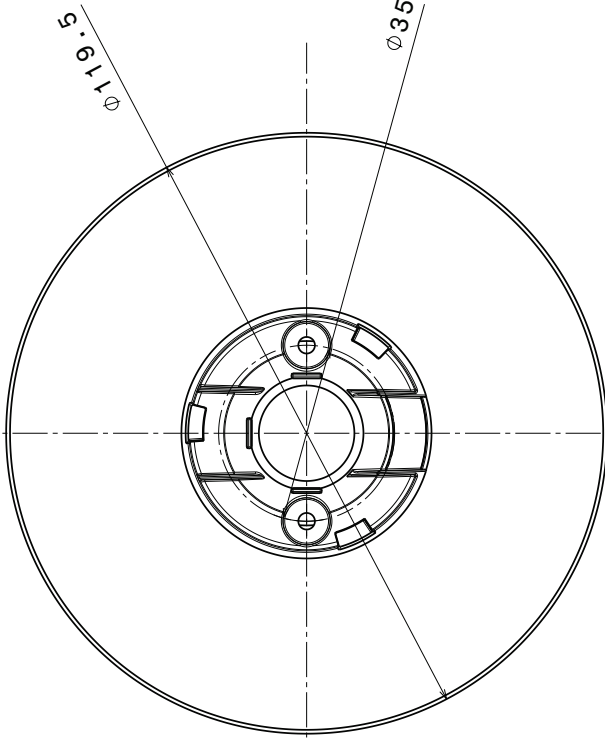
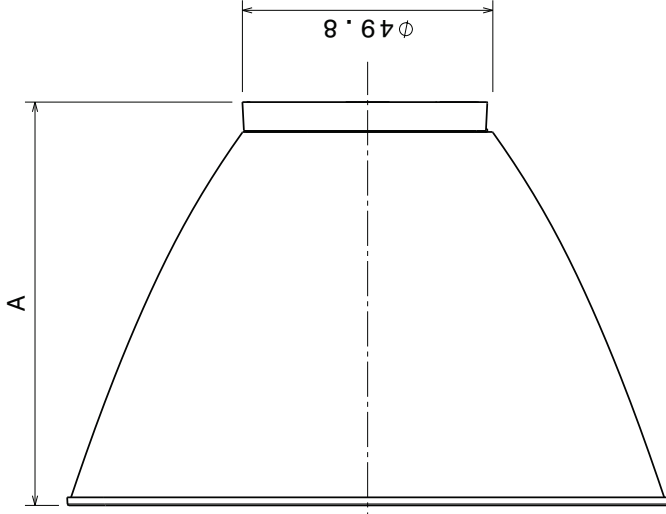
ANGELA series

last update 6/5/2013

PHILIPS
LUMILEDS

GENERAL INFORMATION

- Product series especially designed & optimized for LUXEON S2000 series of LEDs.
- Special care taken to make light distribution as uniform as possible.
- Reflector is made of aluminium coated PC (120 degrees of Celcius / 248 degrees of Fahrenheit) with protective lacquer (110 degrees of Celcius / 230 degrees of Fahrenheit).
- Optic holder molded by high quality PC material (120 dergees of Celcius / 248 degrees of Fahrenheit).



	DIMENSION A
WITH LEDIL LUXEON S SOCKETS	80.5 mm
WITH TYCO SOCKET	80.5 mm
WITH LEDIL BRIDGELUX VERO SOCKETS	79.5 mm

Tolerances if not otherwise shown
 According to DIN ISO 2768-1
 unless otherwise specified
 up to 30mm class F, otherwise class M.
 According to DIN ISO 2768-2
 Form and position: class K

LEDIL

Ledil Oy
 Salorankatu 10
 FIN 24240 SALO
 Finland



THIRD ANGLE PROJECTION:

This drawing is the property
 of LEDIL Oy. It may not be
 reproduced, copied or
 communicated without a written
 agreement with LEDIL Oy."

DRAWING TITLE

DATA SHEET ANGELA

SIZE PART NUMBER

A3 -

SCALE 1:1 WEIGHT -

SHEET 1/1

A B C D E F G H A B G H