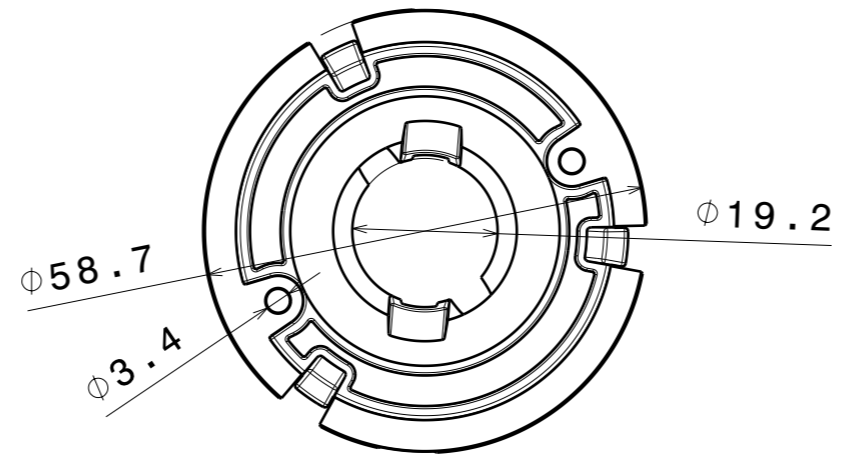
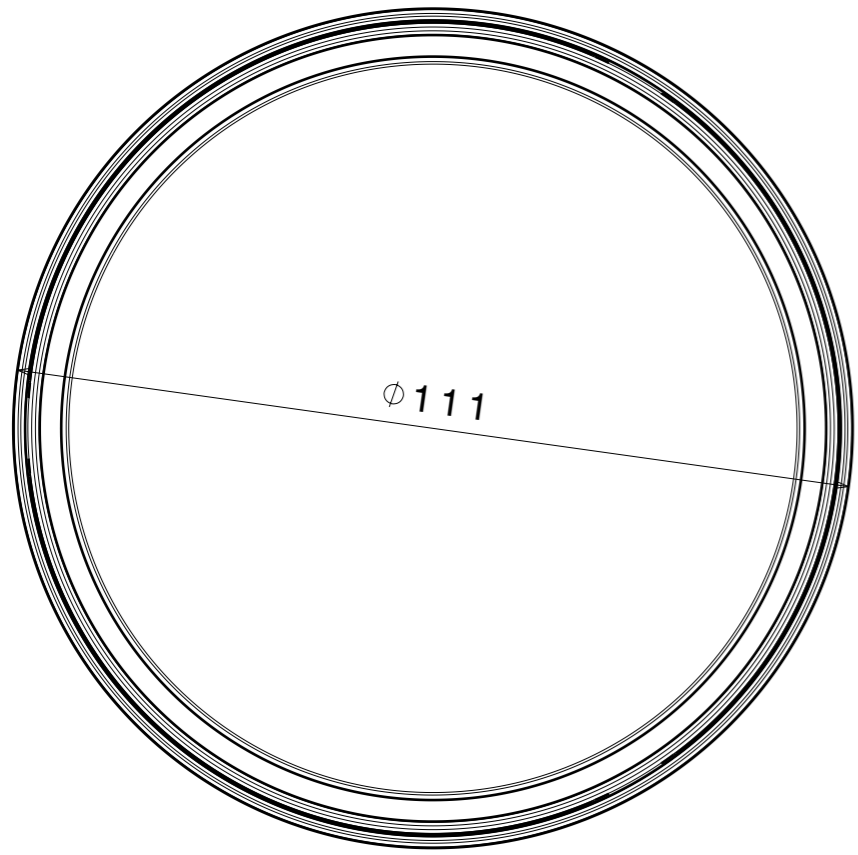



Isometric view



- Material:
- subLens
 - PC
 - Reflector
 - PC
 - Metal coating and clear lacquer
 - Holder base
 - PC
 - Color white

Base part designed for Philips Lumileds LUXEON K, 12up and 16up versions

This drawing is our property. It can't be reproduced or communicated without our written agreement.		 Ledil Oy Salorankatu 10 FIN 24240 SALO Finland	
DRAWING TITLE		Part Drawing	
DRAWN BY	DATE	LENA-LUXEON-K Mechanical drawing	
as	3.8.2012	SIZE	REV
CHECKED BY	DATE	A3	001
VS	3.8.2012	SCALE	WEIGHT
DESIGNED BY	DATE	1:1	SHEET 1/1
p1	-		

4

3

2

1

4

3

2

1

H G F E D C B A

H G B A