

**Ordering number CN13162\_LENA-WAS**

Family	Lena	FWHM	(simulated) Asymmetric
Type	-	Efficiency	(simulated) 0 %
LED	Mega Zenigata (GW5DGC)	cd/lm	-
Color	Metal	Gerber File	Available
Diameter	111 mm		
Height	38.2 mm		
Style	Round		Reflector twist-and-locks into included base part that holds COE
Optic Material	PC		
Holder Material	-		
Fastening	-		
Status	Ready		

**Ordering number CN13172\_LENA-WAS-DL**

Family	Lena	FWHM	(simulated) Asymmetric
Type	-	Efficiency	(simulated) 0 %
LED	Mega Zenigata (GW5DGC)	cd/lm	-
Color	Metal	Gerber File	Available
Diameter	111 mm		
Height	40.3 mm		
Style	Round		Reflector twist-and-locks into included base part that holds COE
Optic Material	PC		
Holder Material	-		
Fastening	-		
Status	Ready		

**NOTE: The typical divergence will be changed by different color, chip size and chip position tolerance. The typical total divergence is the full angle measured where the luminous intensity is half of the peak value.**



## PRODUCT DATASHEET

### Lena series

last update 12/2/2013

**SHARP**

#### GENERAL INFORMATION

- Product series especially designed & optimized for Mega Zenigata (GW5DGC) series of LEDs.
- Special care taken to make light distribution as uniform as possible.
- Reflector is made of aluminium coated PC (120 degrees of Celcius / 248 degrees of Fahrenheit) with protective lacquer (110 degrees of Celcius / 230 degrees of Fahrenheit).

D

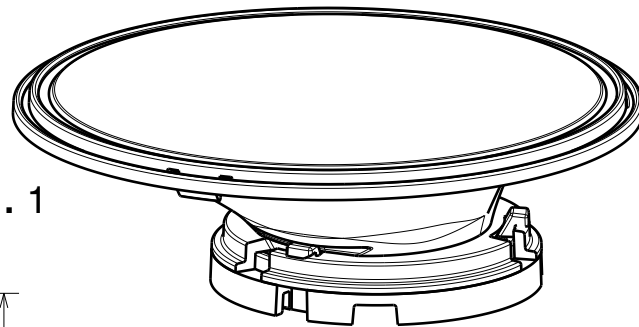
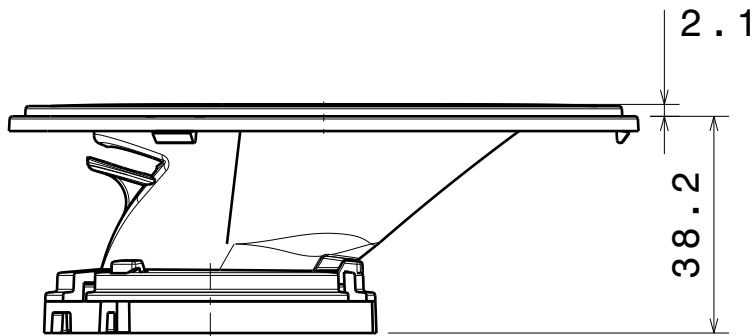
C

B

A

4

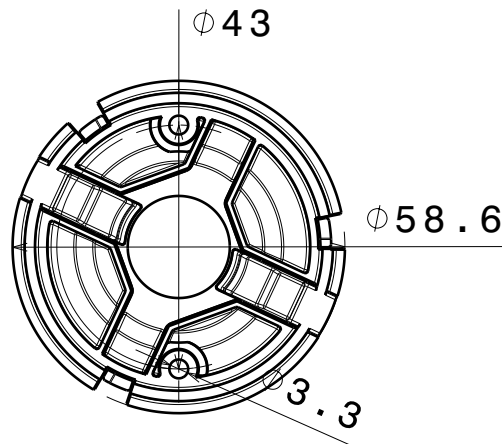
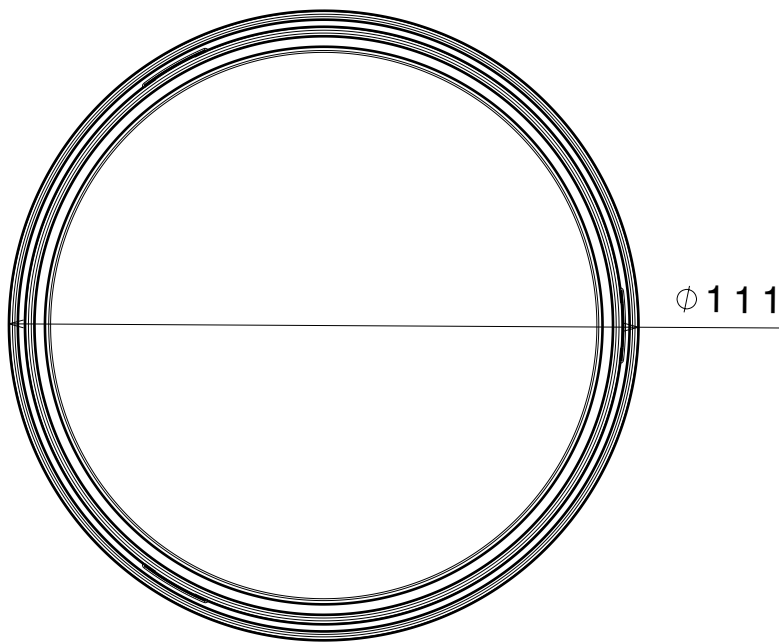
4



Isometric view

3

3



Materials

Reflector: PC  
 Base part: PC  
 Sublens: PC

Note: Using additional sublens add  
 2,1mm to total height.

2

2

This drawing is our property.  
 It can't be reproduced  
 or communicated without  
 our written agreement.



Ledil Oy  
 Salorankatu 10  
 FIN 24240 SALO  
 Finland

DRAWING TITLE Mechanical drawing

DRAWN BY  
 as

DATE  
 26.9.2012

LENA-WAS

CHECKED BY  
 VS

DATE  
 -

SIZE A4 PART NUMBER

REV  
 001

DESIGNED BY  
 -

DATE  
 -

SCALE 2:3 WEIGHT - mg SHEET 1/1

1

1

D

A