


**Ordering number CA11934\_EMILY-W**

Family	Emily	FWHM	38 degrees
Type	Assembly	Efficiency	87 %
LED	XP-E2	cd/lm	1.900
Color	Clear	Gerber File	Available
Diameter	26 mm		
Height	14.9 mm		
Style	Round		
Optic Material	PMMA		
Holder Material	-		
Fastening	Pin, tape		
Status	Ready		

**Ordering number CA12589\_EMILY-WWW**

Family	Emily	FWHM	70 degrees
Type	Assembly	Efficiency	88 %
LED	XP-E2	cd/lm	0.800
Color	Clear	Gerber File	Available
Diameter	26 mm		
Height	13.3 mm		
Style	Round		
Optic Material	PMMA		
Holder Material	-		
Fastening	Pin, tape		
Status	Ready		

**NOTE: The typical divergence will be changed by different color, chip size and chip position tolerance. The typical total divergence is the full angle measured where the luminous intensity is half of the peak value.**



## PRODUCT DATASHEET

### Emily series

last update 12/3/2013

#### GENERAL INFORMATION

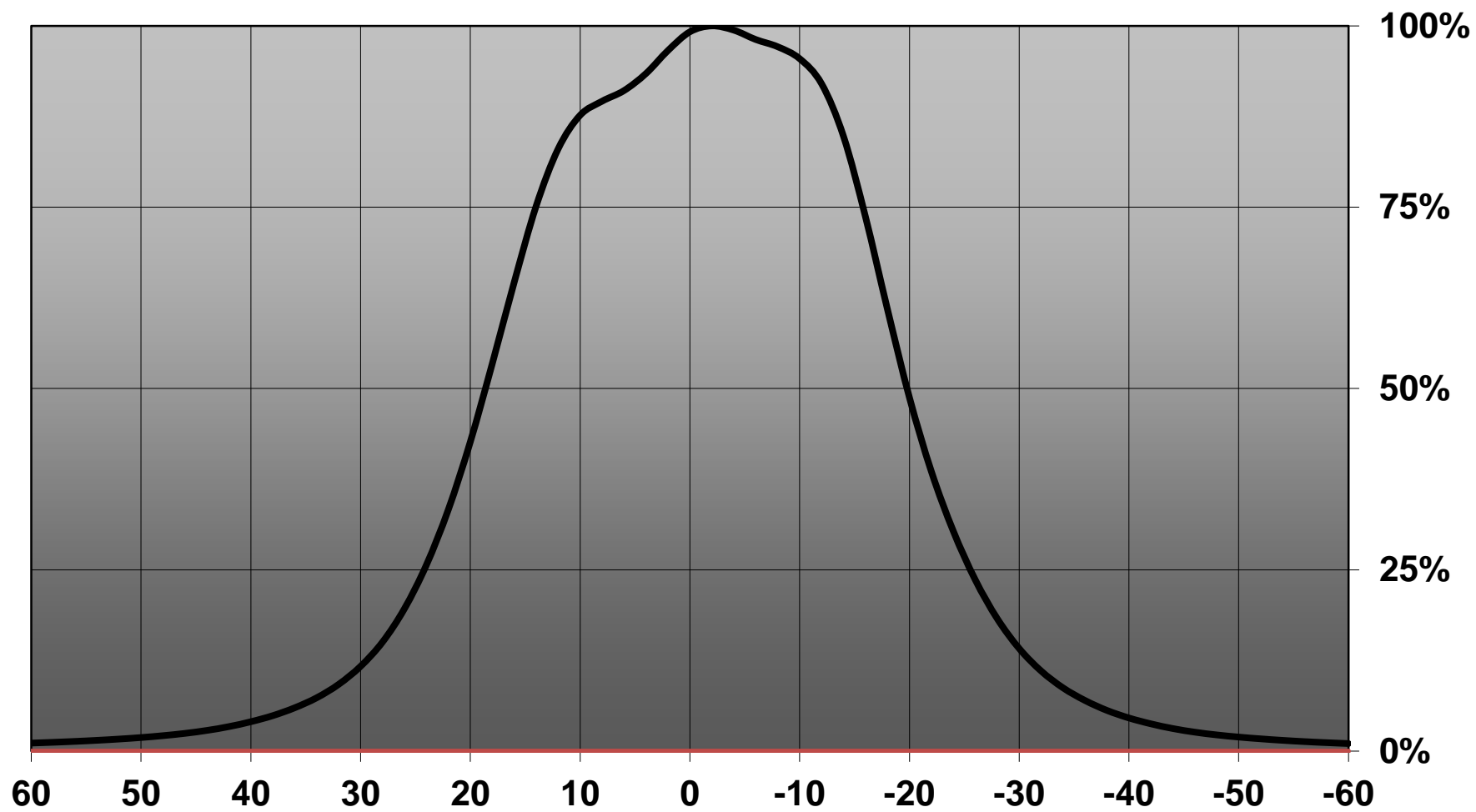
- Product series especially designed & optimized for XP-E2 series of LEDs.
- Special care taken to make light distribution as uniform as possible.
- Lens material optical grade PMMA with high UV and temperature resistance. Allows use of high current and temperature conditions.

Please find more information about used material from below:

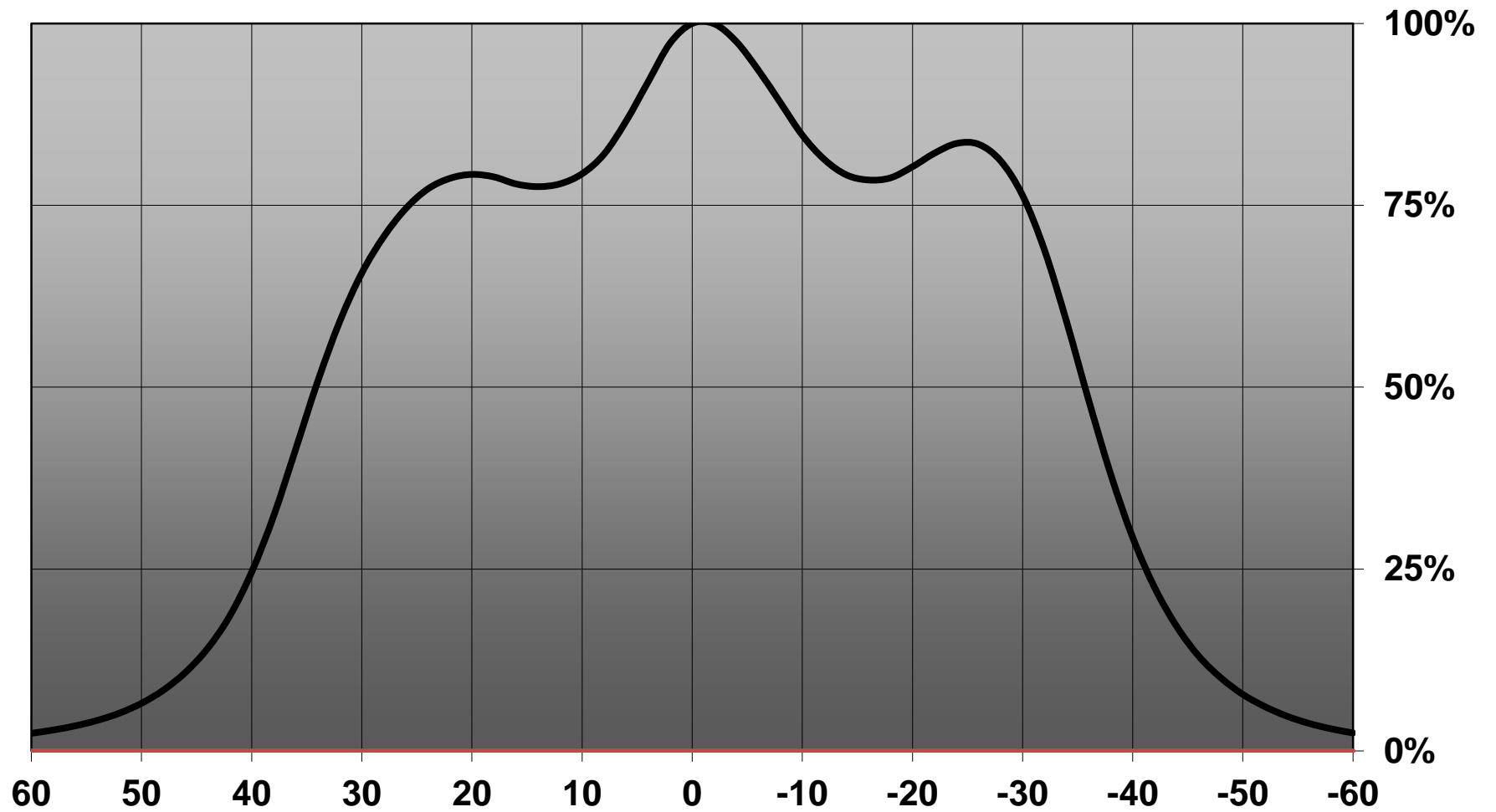
[http://ledil.fi/sites/default/files/Documents/Technical/Material/PMMA%20N%20UL94\\_Yellow%20Card.pdf](http://ledil.fi/sites/default/files/Documents/Technical/Material/PMMA%20N%20UL94_Yellow%20Card.pdf)

<http://ledil.fi/sites/default/files/Documents/Technical/Material/PMMA%20N%20PLEXIGLAS-Datasheet.pdf>

Relative intensity of CA11934\_EMILY-W-(XPE2)



Relative intensity of CA12589\_EMILY-WWW-(XPE2)



D

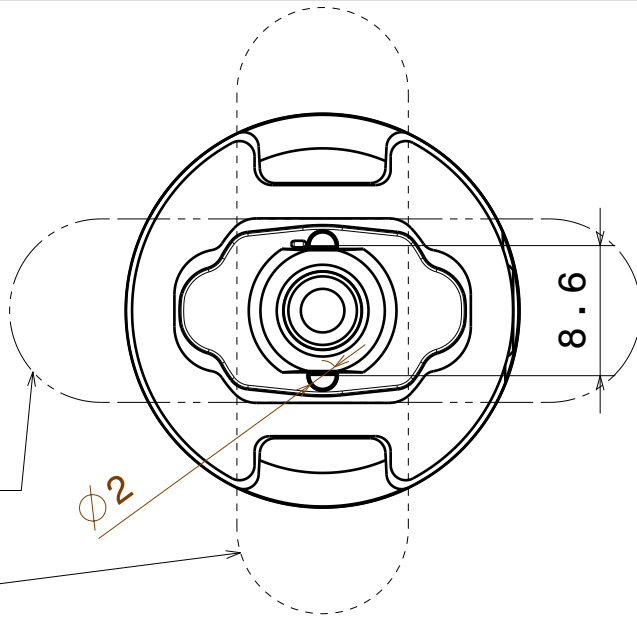
C

B

A

4

4



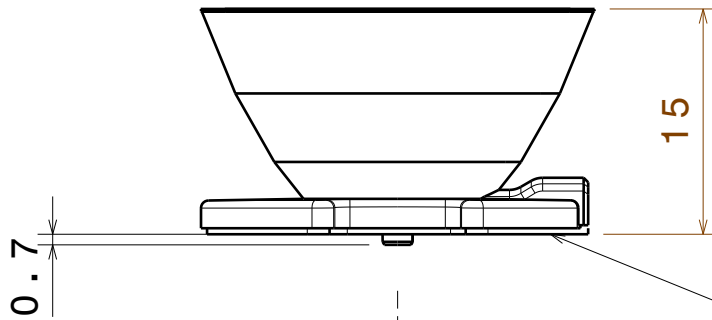
Bottom view  
Scale: 2:1

Beam direction Emily-0-90

Beam direction Emily-0

3

3

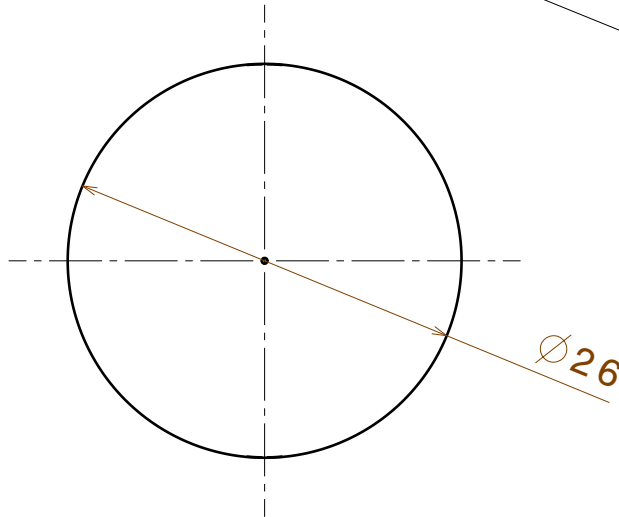


Front view  
Scale: 2:1

tape

2

2



Top view  
Scale: 2:1

Material: PMMA

This drawing is our property.  
It can't be reproduced  
or communicated without  
our written agreement.



L  
T  
F  
F

e  
e  
i  
i  
n  
n

d  
h

DRAWING TITLE

Datasheet Emily-XM Series Lens

1

1

DRAWN BY a	DATE 18.05.2011
CHECKED BY t k	DATE 18.02.2010
DESIGNED BY hh	DATE 18.02.2010

SIZE A4	DRAWING NUMBER	REV 1
SCALE 2:1	WEIGHT (g)	SHEET 1/1

D

A