

**Ordering number CA12530\_HEIDI-D**

Family	Heidi	FWHM	12 degrees
Type	Assembly	Efficiency	86 %
LED	LUXEON Rebel ES	cd/lm	10.000
Color	Clear	Gerber File	Available
Diameter	21.6 mm		
Height	11.7 mm		
Style	Round		
Optic Material	PMMA		
Holder Material	-		
Fastening	Pin, tape		
Status	Ready		

**Ordering number CA12443\_HEIDI-SS**

Family	Heidi	FWHM	14 degrees
Type	Assembly	Efficiency	91 %
LED	LUXEON Rebel ES	cd/lm	6.300
Color	Clear	Gerber File	Available
Diameter	21.6 mm		
Height	11.7 mm		
Style	Round		
Optic Material	PMMA		
Holder Material	-		
Fastening	Pin, tape		
Status	Ready		

**Ordering number CA12949\_HEIDI-O**

Family	Heidi	FWHM	53+12 degrees
Type	Assembly	Efficiency	82 %
LED	LUXEON Rebel ES	cd/lm	3.400
Color	Clear	Gerber File	Available
Diameter	21.6 mm		
Height	11.7 mm		
Style	Round		
Optic Material	PMMA		
Holder Material	-		
Fastening	Pin, tape		
Status	Ready		

**NOTE: The typical divergence will be changed by different color, chip size and chip position tolerance. The typical total divergence is the full angle measured where the luminous intensity is half of the peak value.**



## PRODUCT DATASHEET

### Heidi series

last update 16/4/2013

PHILIPS  
LUMILEDS

#### GENERAL INFORMATION

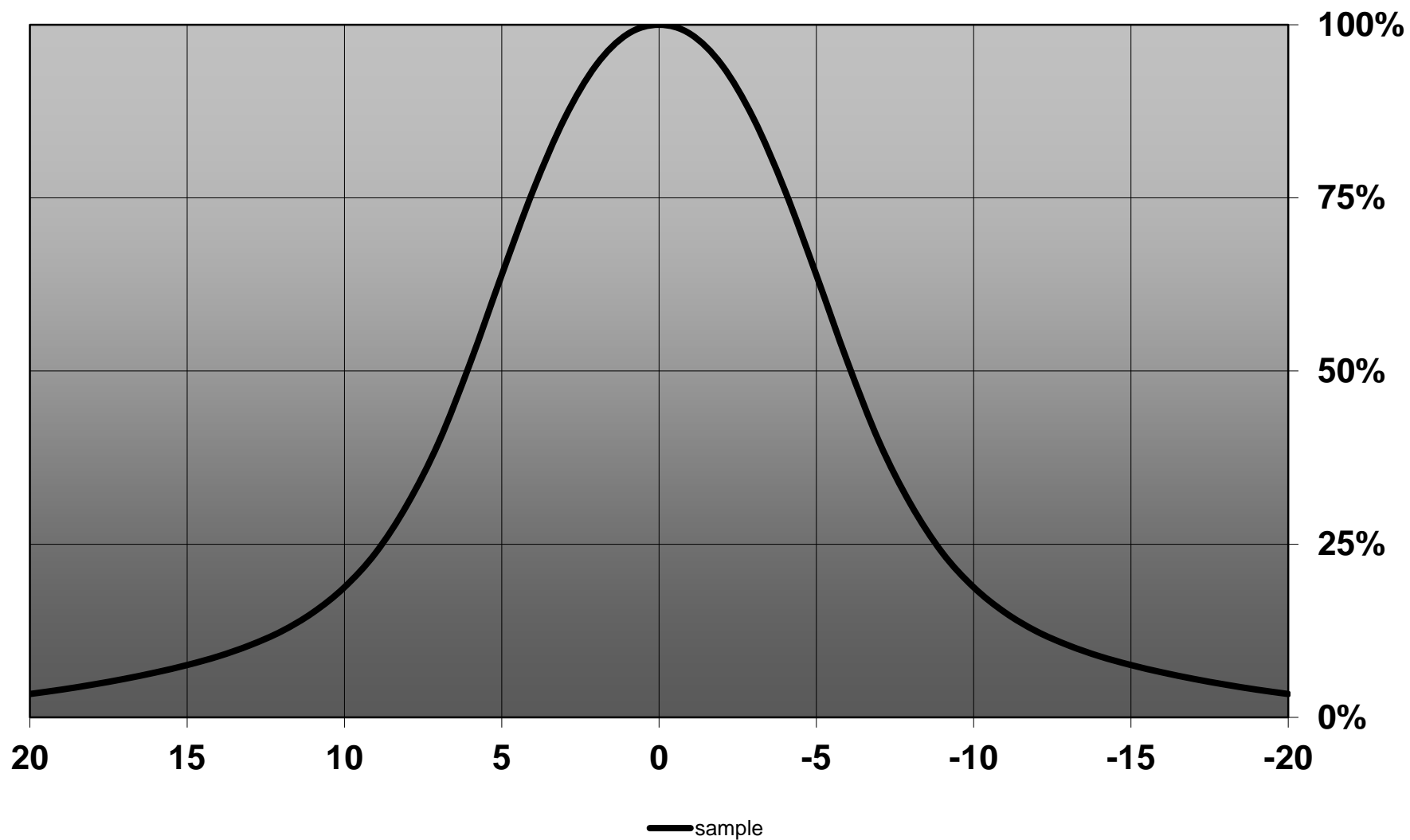
- Product series especially designed & optimized for LUXEON Rebel ES series of LEDs.
- Special care taken to make light distribution as uniform as possible.
- Lens material optical grade PMMA with high UV and temperature resistance. Allows use of high current and temperature conditions.

Please find more information about used material from below:

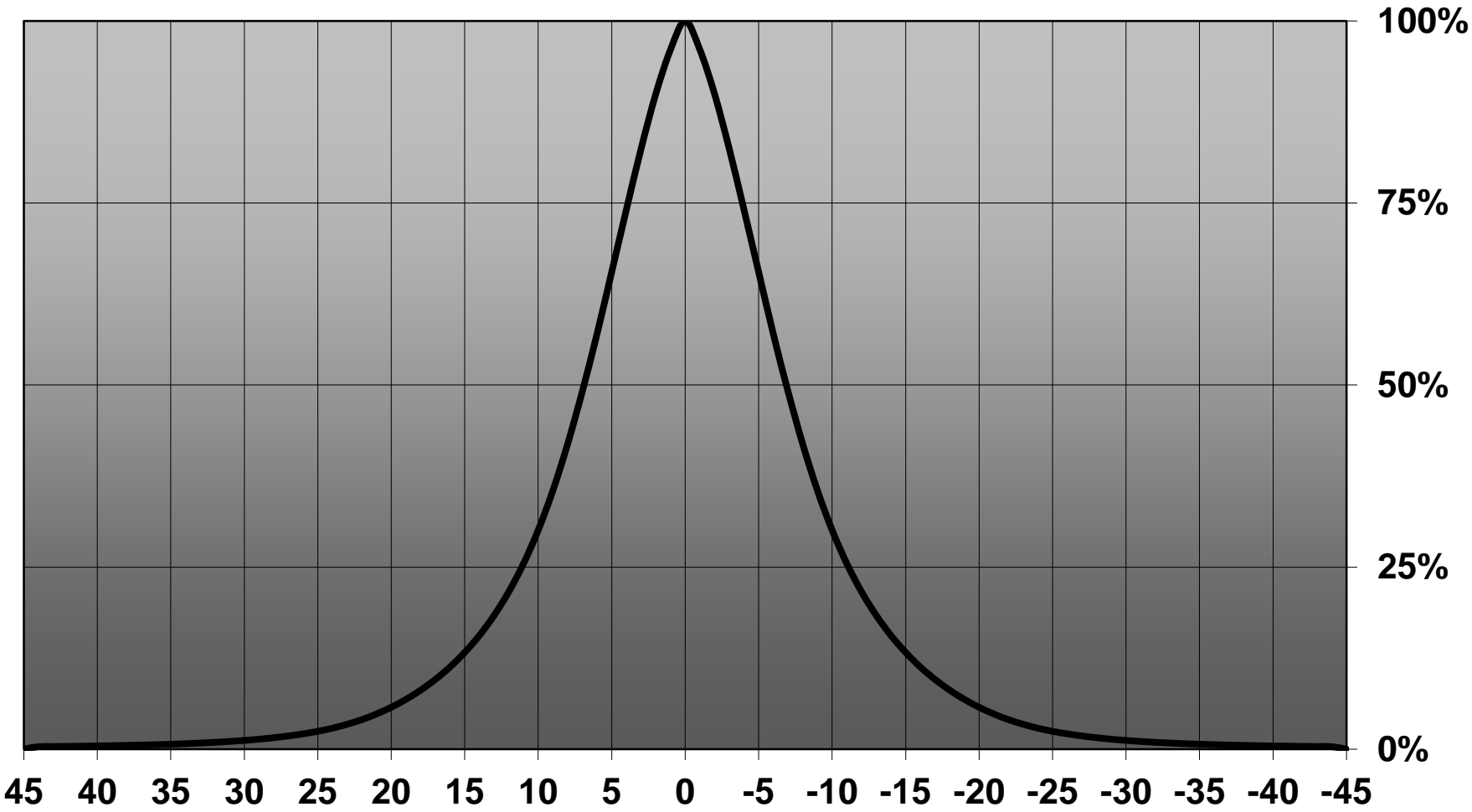
[http://ledil.fi/sites/default/files/Documents/Technical/Material/PMMA%20N%20UL94\\_Yellow%20Card.pdf](http://ledil.fi/sites/default/files/Documents/Technical/Material/PMMA%20N%20UL94_Yellow%20Card.pdf)

<http://ledil.fi/sites/default/files/Documents/Technical/Material/PMMA%20N%20PLEXIGLAS-Datasheet.pdf>

Relative intensity of CA12530\_HEIDI-D\_(Luxeon Rebel ES)



**Relative intensity of CA12443\_HEIDI-SS-RE-ES**



D

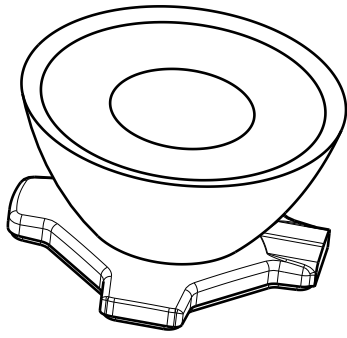
C

B

A

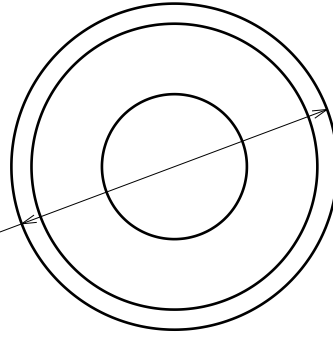
4

4



Isometric view

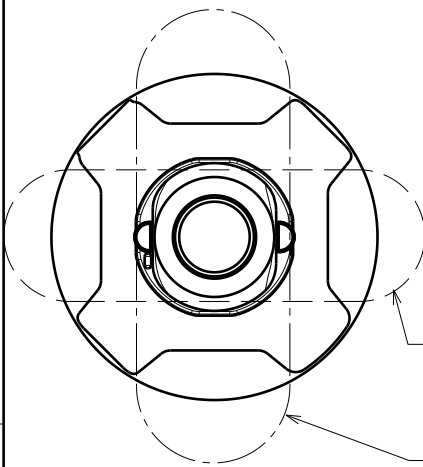
$\phi 21.6$



Top view

3

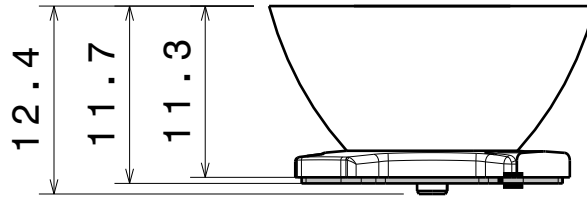
3



Bottom view  
OVAL BEAM direction

Heidi-0

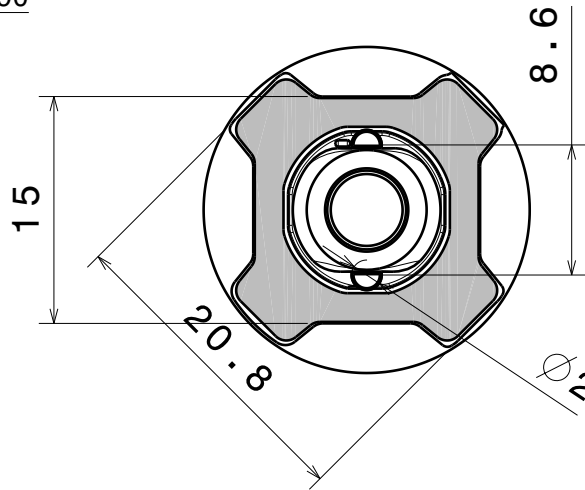
Heidi-0-90



Front view

2

2



8.6 Between pin midpoints

Bottom view

Material:  
Lens PMMA  
Tape PU Foam

This drawing is our property.  
It can't be reproduced  
or communicated without  
our written agreement.



Ledil Oy  
Salorankatu 10  
FIN-24100 SALO  
Finland

DRAWING TITLE

Datasheet Heidi-Series Assy

DRAWN BY  
ah

DATE  
1.2.2012

CHECKED BY

DATE

SIZE  
A4

DRAWING NUMBER

REV  
2

DESIGNED BY

DATE

SCALE 2:1 WEIGHT (g)

SHEET 1/1

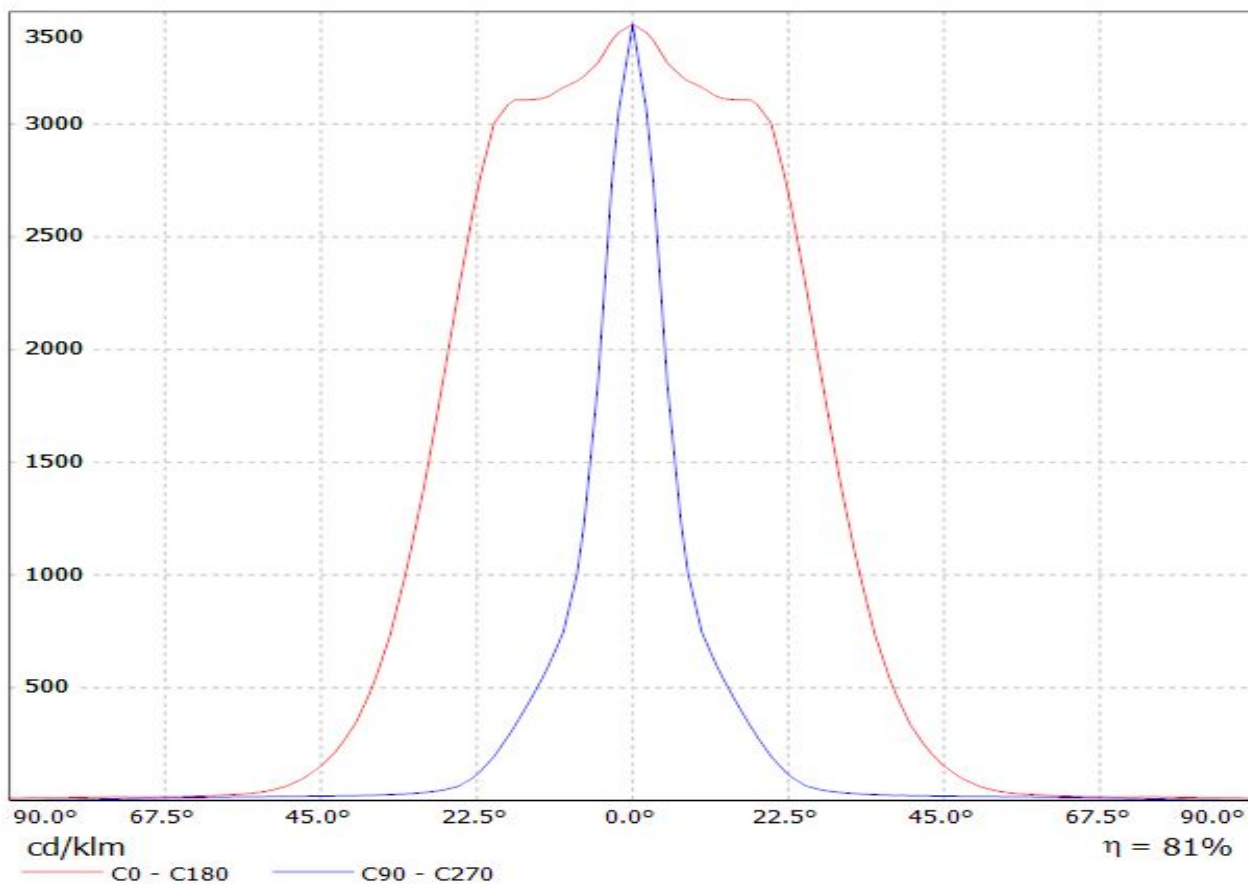
D

A

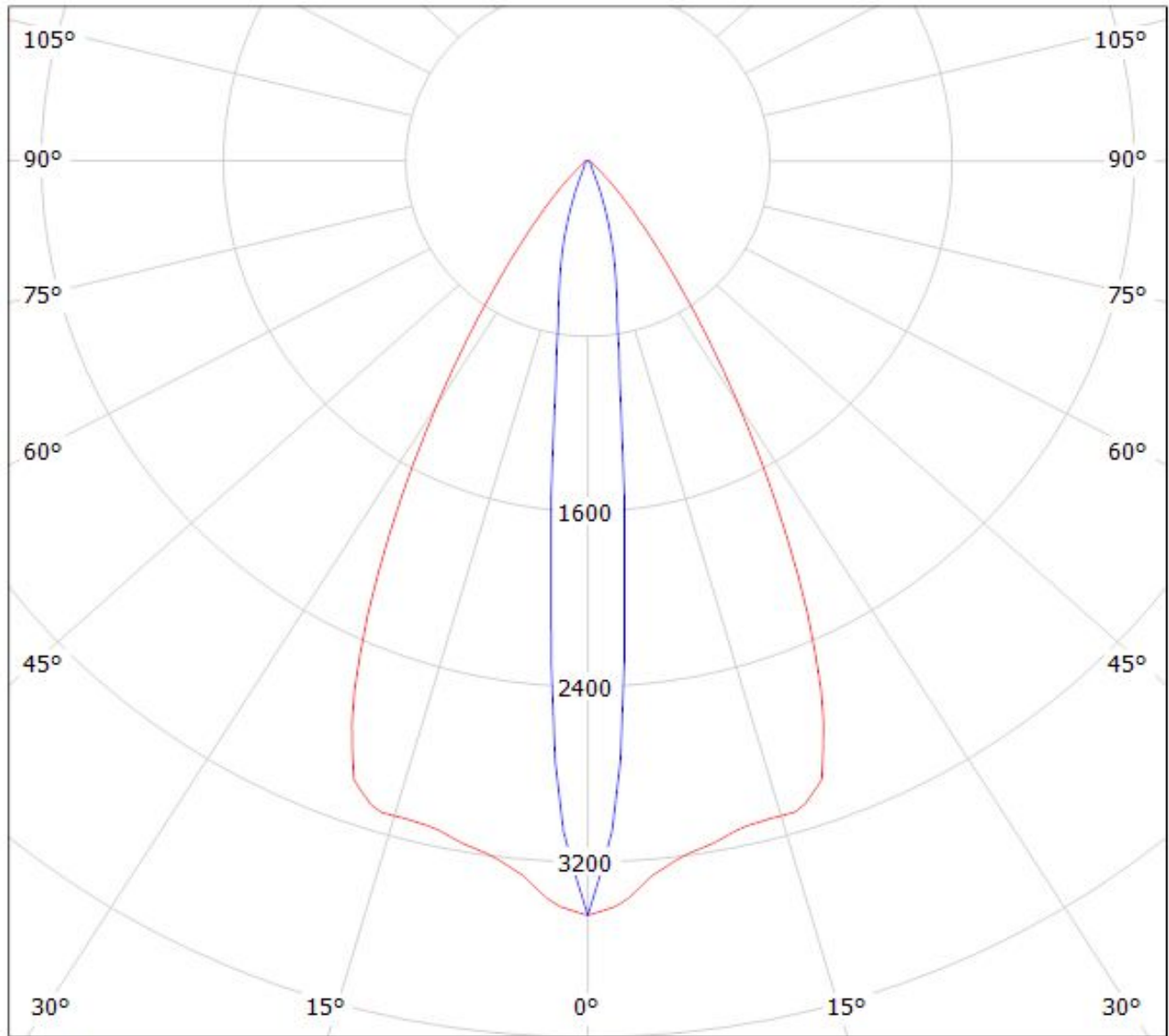
1

1

Luminaire: LEDIL OY CA12949\_HEIDI-O (Luxeon Rebel-ES) Efficiency=82%  
Lamps: 1 x Luxeon Rebel ES (90lm @ 250mA)



Luminaire: LEDIL OY CA12949\_HEIDI-O (Luxeon Rebel-ES) Efficiency=82%  
Lamps: 1 x Luxeon Rebel ES (90lm @ 250mA)



cd/klm

$\eta = 81\%$

— C0 - C180 — C90 - C270