

**Ordering number CA11663\_HEIDI-RS**

Family	Heidi	FWHM	9 degrees
Type	Assembly	Efficiency	93 %
LED	XP-G	cd/lm	16.600
Color	Clear	Gerber File	Available
Diameter	21.6 mm		
Height	11.7 mm		
Style	Round		
Optic Material	PMMA		
Holder Material	-		
Fastening	Pin, tape		
Status	Ready		

**Ordering number CA11264\_HEIDI-D**

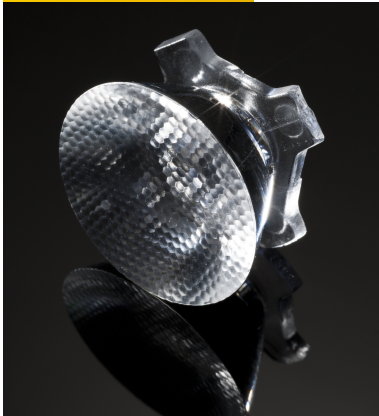
Family	Heidi	FWHM	12 degrees
Type	Assembly	Efficiency	93 %
LED	XP-G	cd/lm	14.500
Color	Clear	Gerber File	Available
Diameter	21.6 mm		
Height	11.7 mm		
Style	Round		
Optic Material	PMMA		
Holder Material	-		
Fastening	Pin, tape		
Status	Ready		

**Ordering number CA12435\_HEIDI-ON-90**

Family	Heidi	FWHM	12+40 degrees
Type	Assembly	Efficiency	88 %
LED	XP-G	cd/lm	4.700
Color	Clear	Gerber File	Available
Diameter	21.6 mm		
Height	11.7 mm		
Style	Round		
Optic Material	PMMA		
Holder Material	-		
Fastening	Pin, tape		
Status	Ready		

**Ordering number CA11267\_HEIDI-O-90**

Family	Heidi	FWHM	14+44 degrees
Type	Assembly	Efficiency	87 %
LED	XP-G	cd/lm	3.400
Color	Clear	Gerber File	Available
Diameter	21.6 mm		
Height	11.7 mm		
Style	Round		
Optic Material	PMMA		
Holder Material	-		
Fastening	Pin, tape		
Status	Ready		

**Ordering number CA12242\_HEIDI-SS**

Family	Heidi	FWHM	16 degrees
Type	Assembly	Efficiency	92 %
LED	XP-G	cd/lm	5.900
Color	Clear	Gerber File	Available
Diameter	21.6 mm		
Height	11.7 mm		
Style	Round		
Optic Material	PMMA		
Holder Material	-		
Fastening	Pin, tape		
Status	Ready		

**Ordering number CA11265\_HEIDI-M**

Family	Heidi	FWHM	28 degrees
Type	Assembly	Efficiency	92 %
LED	XP-G	cd/lm	3.300
Color	Clear	Gerber File	Available
Diameter	21.6 mm		
Height	11.7 mm		
Style	Round		
Optic Material	PMMA		
Holder Material	-		
Fastening	Pin, tape		
Status	Ready		

**Ordering number CA11268\_HEIDI-W**

Family	Heidi	FWHM	31 degrees
Type	Assembly	Efficiency	92 %
LED	XP-G	cd/lm	2.460
Color	Clear	Gerber File	Available
Diameter	21.6 mm		
Height	11.7 mm		
Style	Round		
Optic Material	PMMA		
Holder Material	-		
Fastening	Pin, tape		
Status	Ready		

**Ordering number CA12434\_HEIDI-ON**

Family	Heidi	FWHM	40+12 degrees
Type	Assembly	Efficiency	88 %
LED	XP-G	cd/lm	4.700
Color	Clear	Gerber File	Available
Diameter	21.6 mm		
Height	11.7 mm		
Style	Round		
Optic Material	PMMA		
Holder Material	-		
Fastening	Pin, tape		
Status	Ready		

**Ordering number CA12079\_HEIDI-W2**

Family	Heidi	FWHM	44 degrees
Type	Assembly	Efficiency	81 %
LED	XP-G	cd/lm	1.110
Color	Clear	Gerber File	Available
Diameter	21.6 mm		
Height	11.5 mm		
Style	Round		
Optic Material	PMMA		
Holder Material	-		
Fastening	Pin, tape		
Status	Ready		

**Ordering number CA11266\_HEIDI-O**

Family	Heidi	FWHM	47+14 degrees
Type	Assembly	Efficiency	87 %
LED	XP-G	cd/lm	3.300
Color	Clear	Gerber File	Available
Diameter	21.6 mm		
Height	11.7 mm		
Style	Round		
Optic Material	PMMA		
Holder Material	-		
Fastening	Pin, tape		
Status	Ready		

**NOTE: The typical divergence will be changed by different color, chip size and chip position tolerance. The typical total divergence is the full angle measured where the luminous intensity is half of the peak value.**



## PRODUCT DATASHEET

### Heidi series

last update 5/2/2013

#### GENERAL INFORMATION

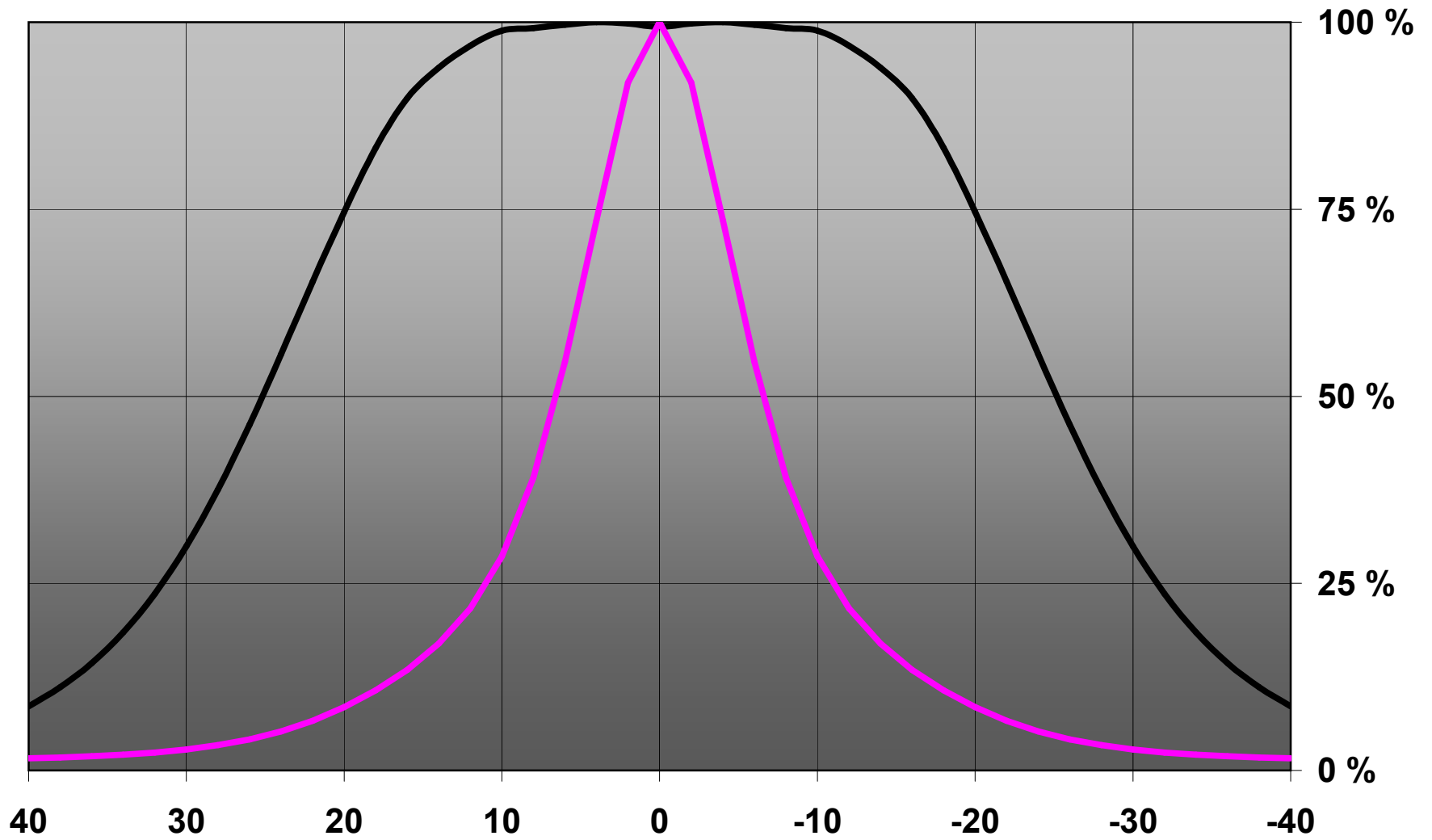
- Product series especially designed & optimized for XP-G series of LEDs.
- Special care taken to make light distribution as uniform as possible.
- Lens material optical grade PMMA with high UV and temperature resistance. Allows use of high current and temperature conditions.

Please find more information about used material from below:

[http://ledil.fi/sites/default/files/Documents/Technical/Material/PMMA%20N%20UL94\\_Yellow%20Card.pdf](http://ledil.fi/sites/default/files/Documents/Technical/Material/PMMA%20N%20UL94_Yellow%20Card.pdf)

<http://ledil.fi/sites/default/files/Documents/Technical/Material/PMMA%20N%20PLEXIGLAS-Datasheet.pdf>

# Relative Intensity of CA11266\_Heidi-O-XP-G



D

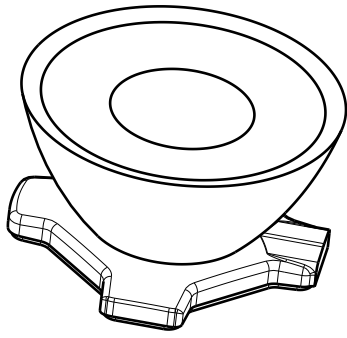
C

B

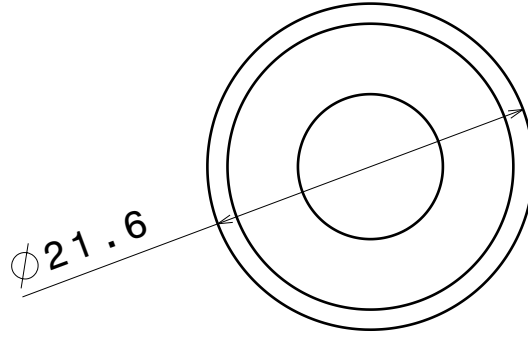
A

4

4



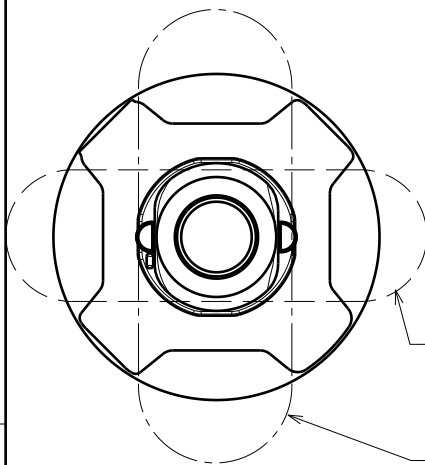
Isometric view



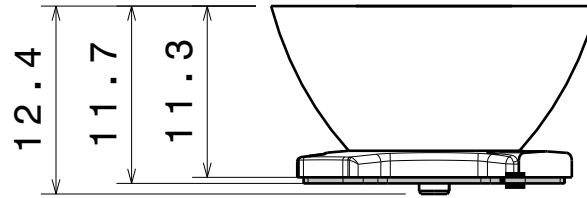
Top view

3

3



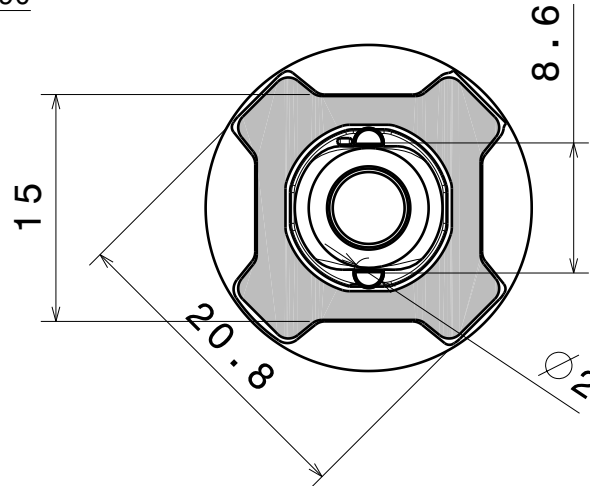
Bottom view  
OVAL BEAM direction



Front view

2

2



Bottom view

Material:  
Lens PMMA  
Tape PU Foam

This drawing is our property.  
It can't be reproduced  
or communicated without  
our written agreement.



Ledil Oy  
Salorankatu 10  
FIN-24100 SALO  
Finland

DRAWING TITLE

Datasheet Heidi-Series Assy

1

1

DRAWN BY  
ah

DATE  
1.2.2012

CHECKED BY

DATE

SIZE  
A4

DRAWING NUMBER

REV  
2

DESIGNED BY

DATE

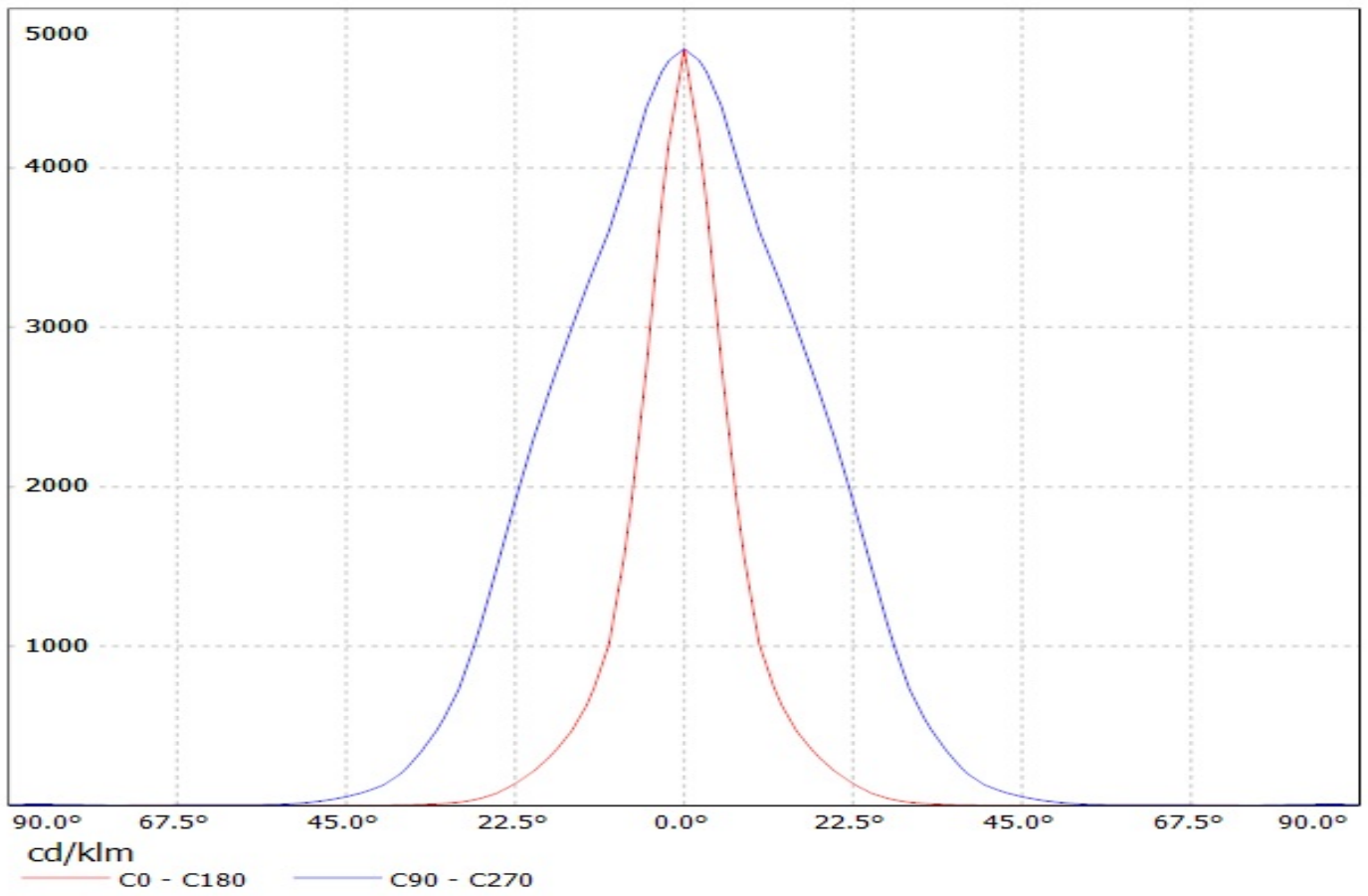
SCALE 2:1 WEIGHT (g)

SHEET 1/1

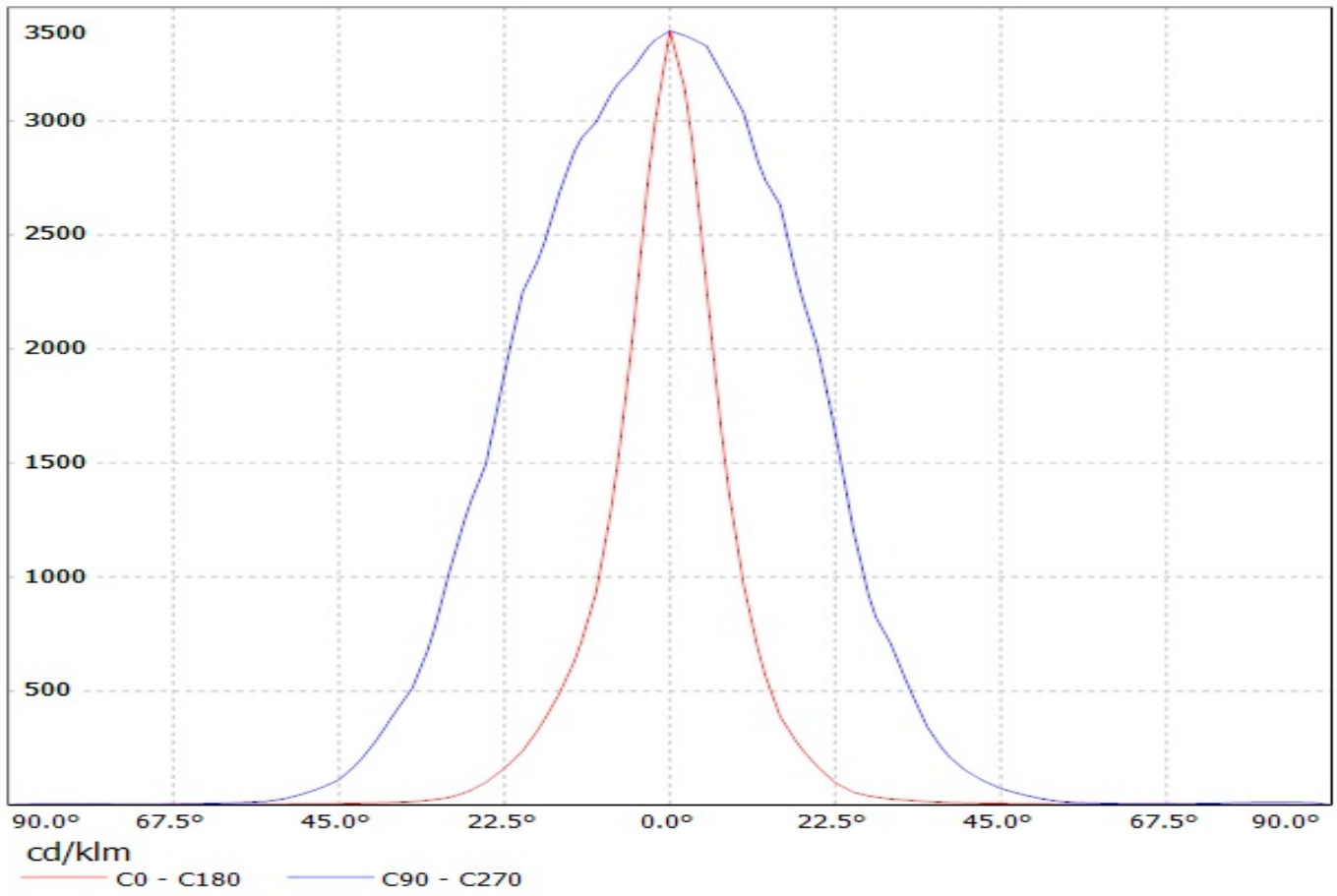
D

A

Luminaire: Ledil Oy CA12435\_HEIDI-ON-90 (Cree XP-G 71lm @ 250mA) Efficiency=88%  
Lamps: 1 x Cree XP-G 71lm @ 250mA

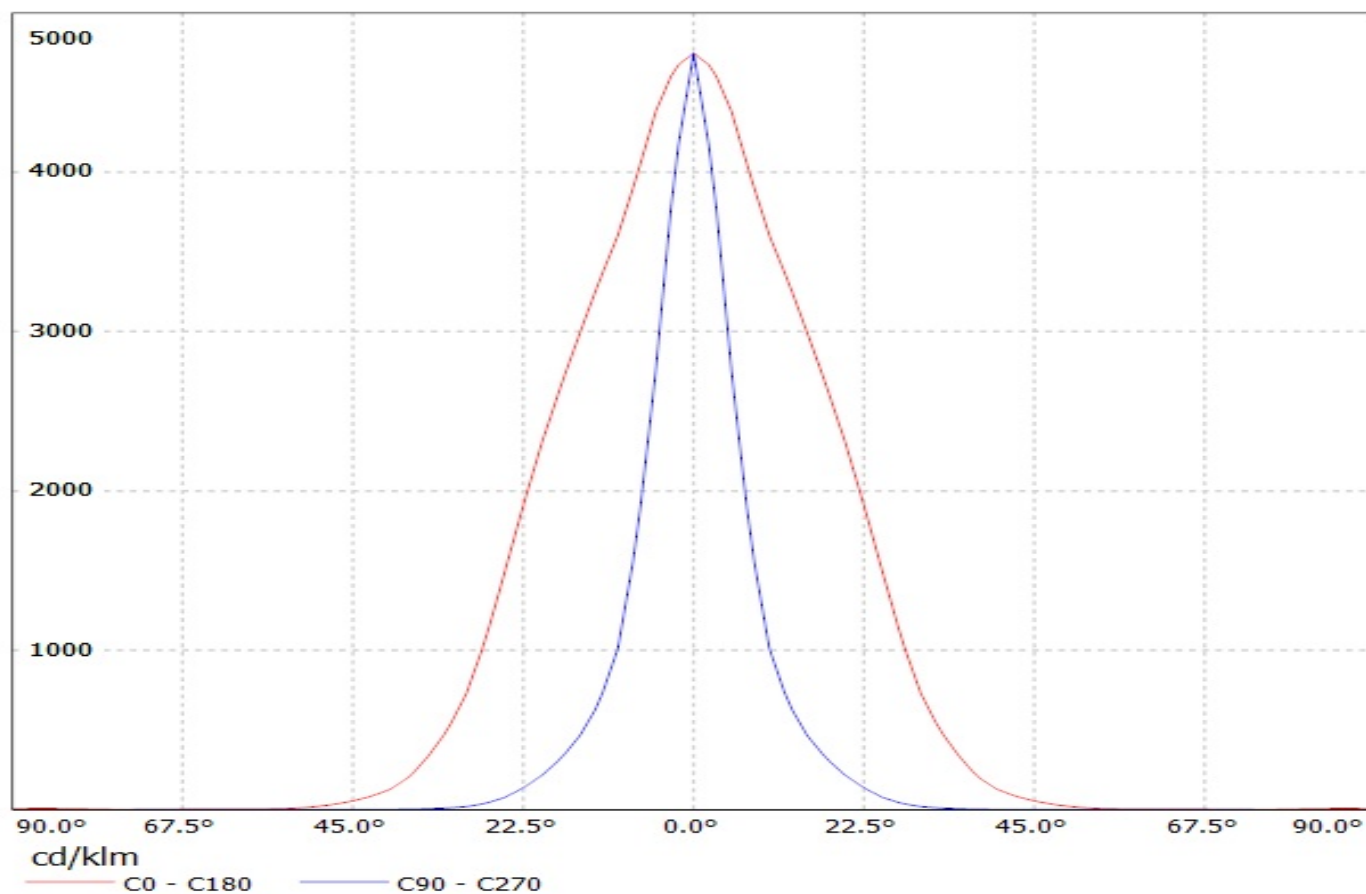


Luminaire: Ledil Oy CA11267\_HEIDI-O-90 (Cree XP-G 87lm @ 250mA) Efficiency=87%  
Lamps: 1 x Cree XP-G 87lm @ 250mA

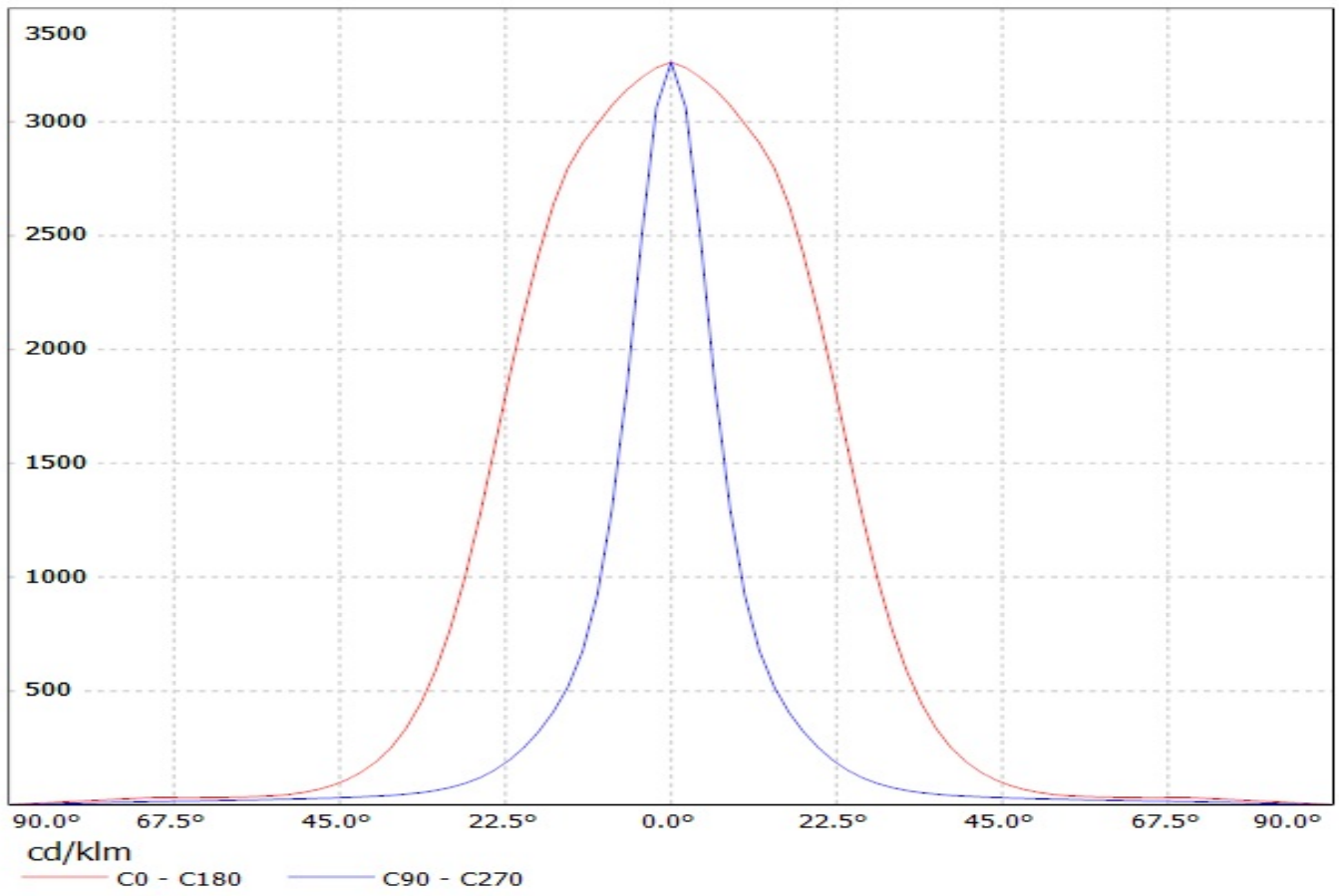




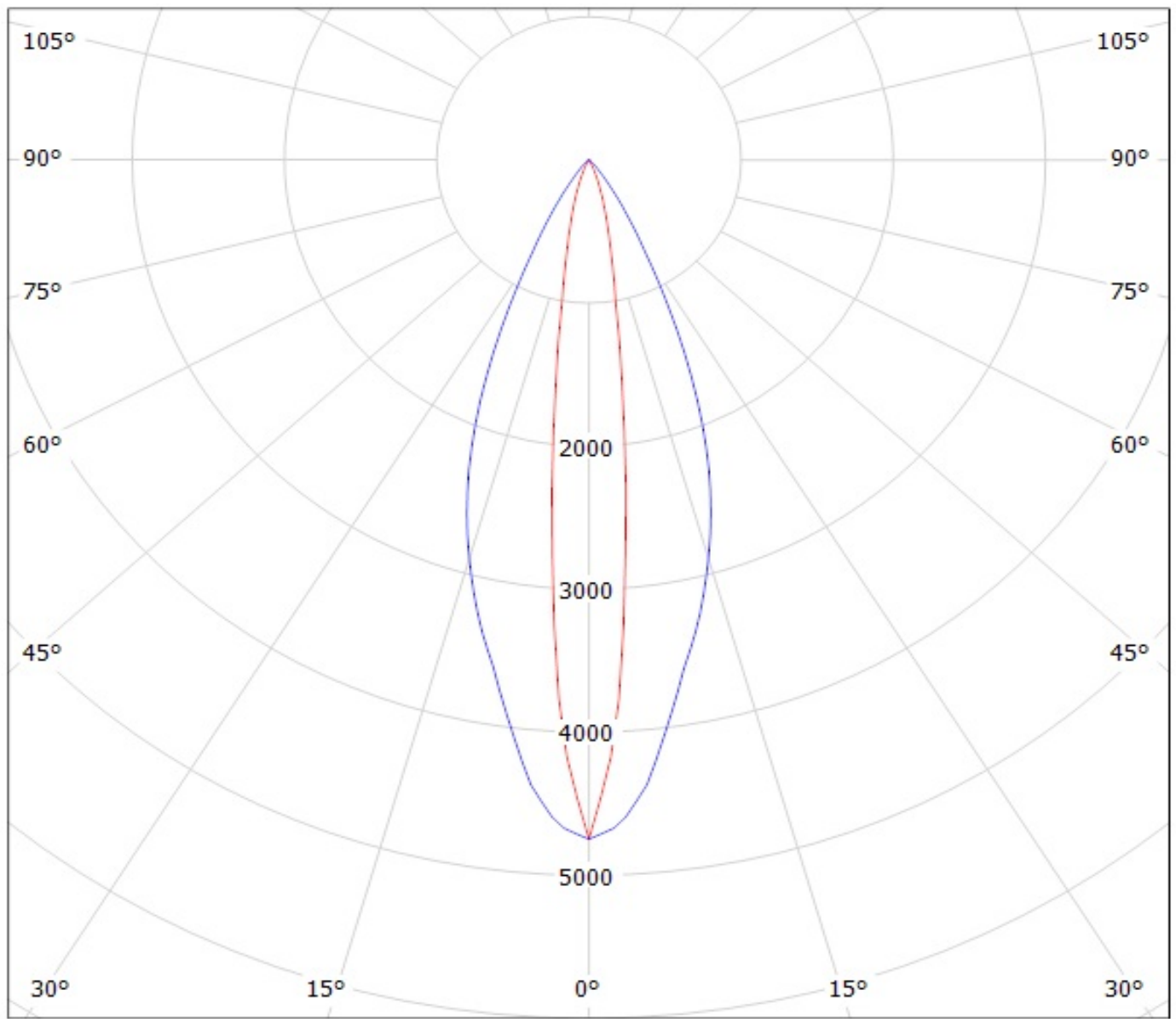
Luminaire: Ledil Oy CA12434 Heidi-ON (Cree XP-G 71lm @ 250mA) Efficiency=88%  
Lamps: 1 x Cree XP-G 71lm @ 250mA



Luminaire: Ledil Oy CA11266\_Heidi-O-XP-G CA11266\_Heidi-O-XP-G  
Lamps: 1 x Cree XP-G (White)



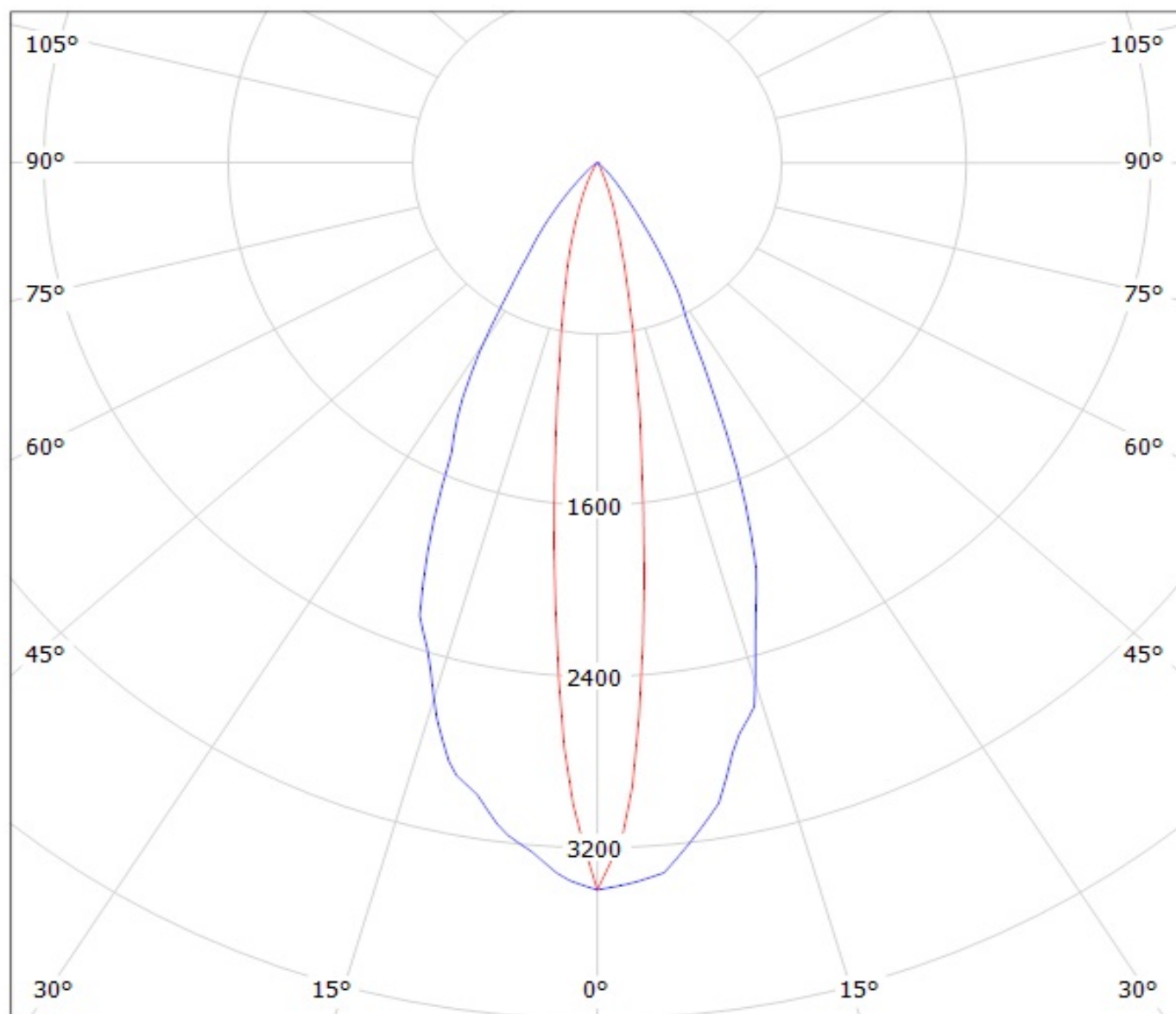
Luminaire: Ledil Oy CA12435\_HEIDI-ON-90 (Cree XP-G 71lm @ 250mA) Efficiency=88%  
Lamps: 1 x Cree XP-G 71lm @ 250mA



cd/klm

— C0 - C180    — C90 - C270

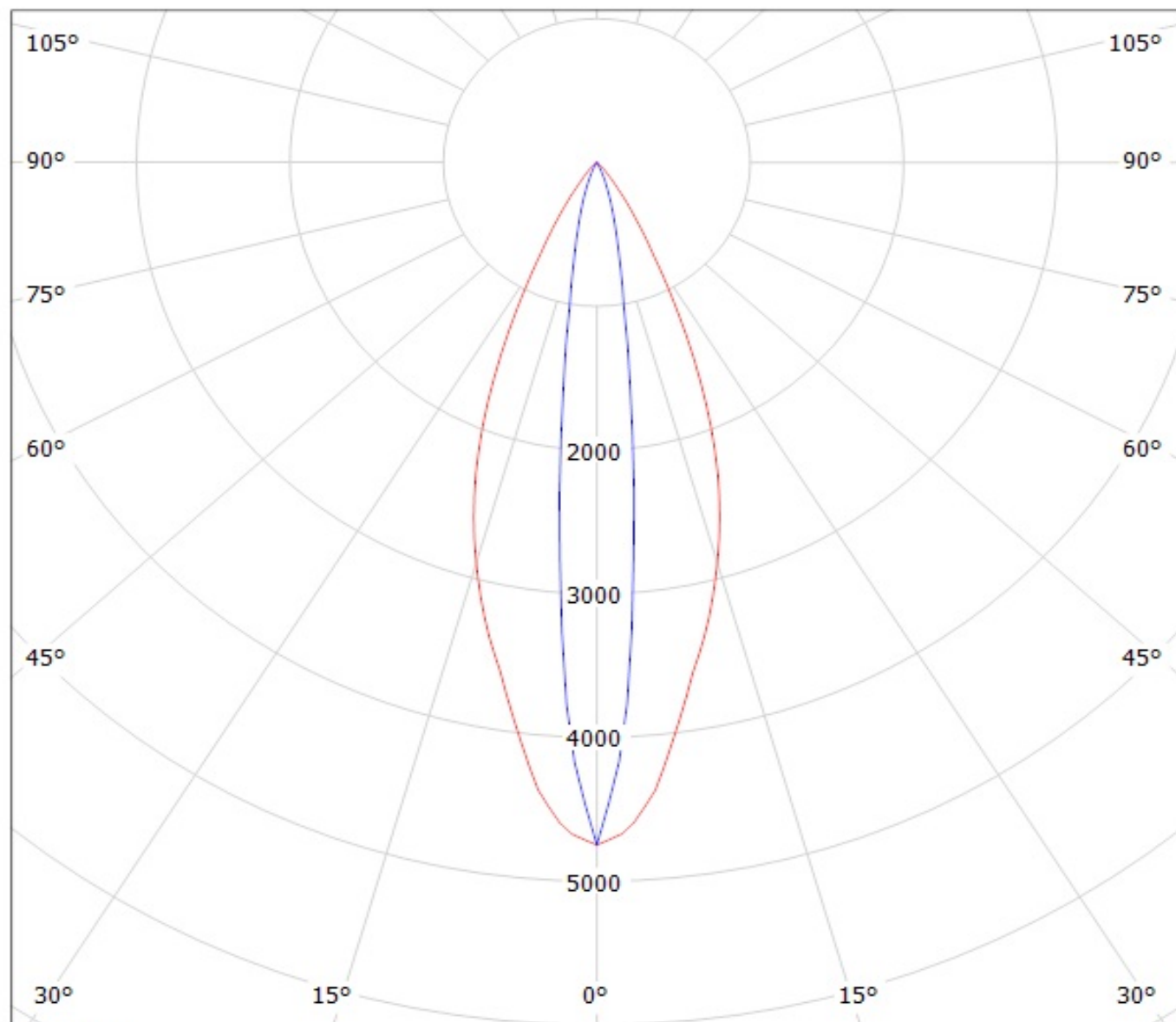
Luminaire: Ledil Oy CA11267\_HEIDI-O-90 (Cree XP-G 87lm @ 250mA) Efficiency=87%  
Lamps: 1 x Cree XP-G 87lm @ 250mA



cd/klm

— C0 - C180    — C90 - C270

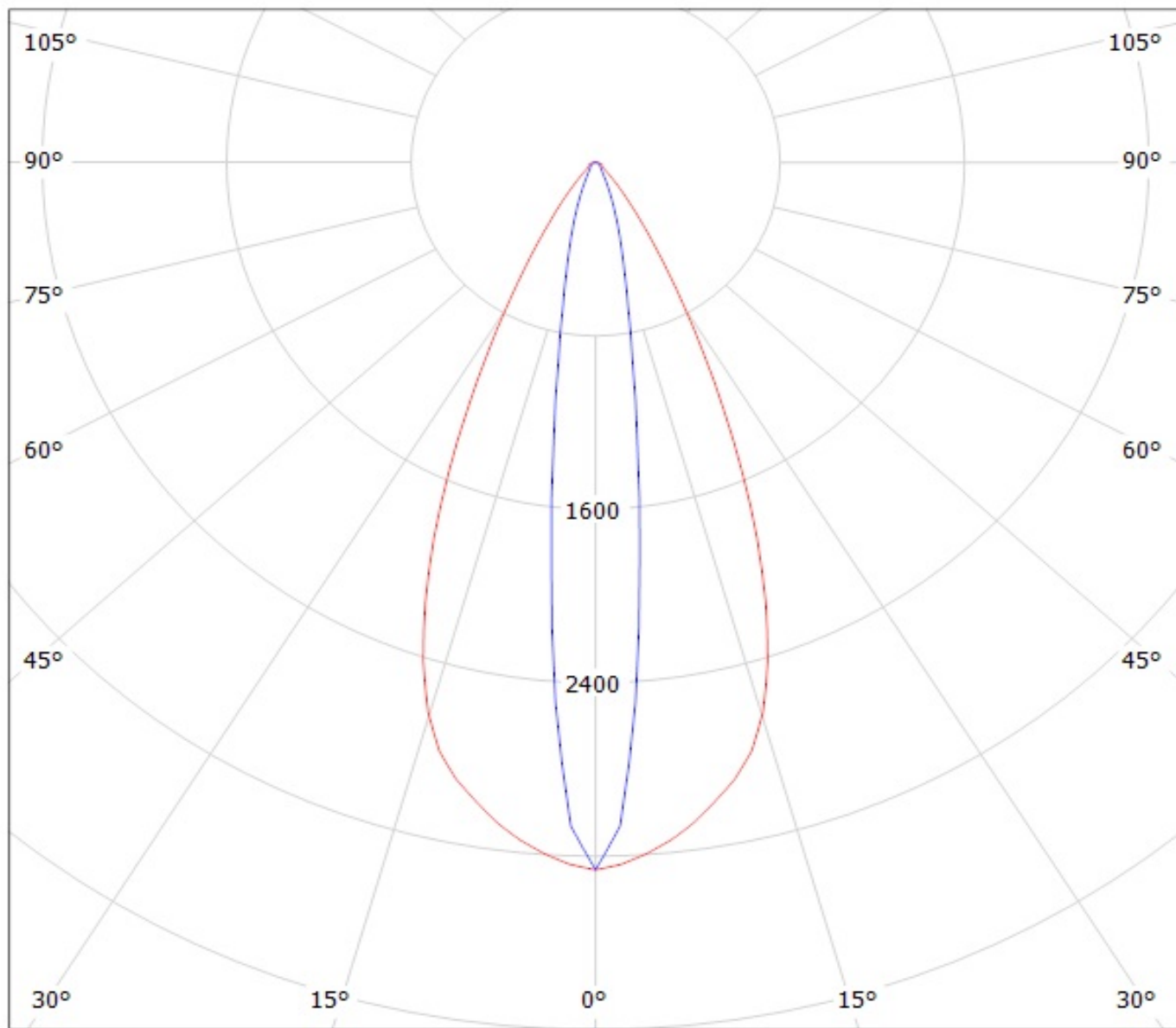
Luminaire: Ledil Oy CA12434\_Heidi-ON (Cree XP-G 71lm @ 250mA) Efficiency=88%  
Lamps: 1 x Cree XP-G 71lm @ 250mA



cd/klm

— C0 - C180    — C90 - C270

Luminaire: Ledil Oy CA11266\_Heidi-O-XP-G CA11266\_Heidi-O-XP-G  
Lamps: 1 x Cree XP-G (White)



cd/klm

— C0 - C180

— C90 - C270