


**Ordering number C11818**  
**Description 1**

Family	Strada-SQ	FWHM	Asym degrees
Type	Lens	Efficiency	90 %
LED	XP-E	cd/Im	-
Color	Clear	Gerber File	Available
Diameter	25 + 25 mm		
Height	10.67 mm		
Style	Square		
Optic Material	PMMA		
Holder Material	-		
Fastening	-		
Status	Ready		

**Ordering number CA11819**  
**Description 1**

Family	Strada-SQ	FWHM	Asym degrees
Type	Assembly	Efficiency	90 %
LED	XP-E	cd/Im	-
Color	Clear	Gerber File	Available
Diameter	25 + 25 mm		
Height	10.82 mm		
Style	Square		
Optic Material	PMMA		
Holder Material	-		
Fastening	-		
Status	Ready		



**PRODUCT DATASHEET**  
**Strada-SQ series**  
last update 14/11/2012

**NOTE: The typical divergence will be changed by different color, chip size and chip position tolerance. The typical total divergence is the full angle measured where the luminous intensity is half of the peak value.**

D

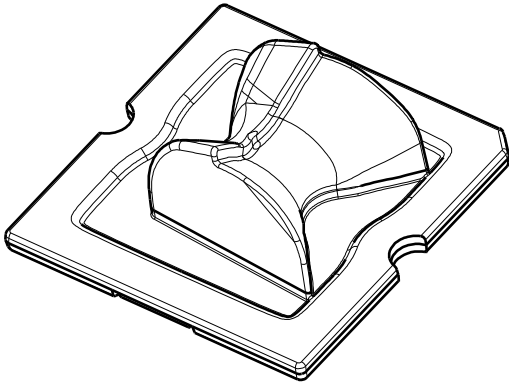
C

B

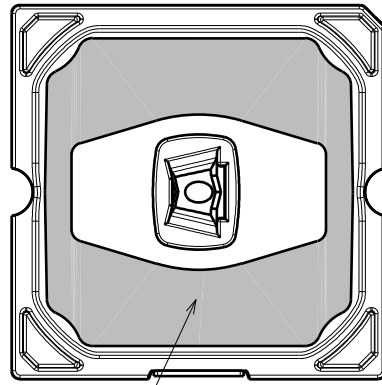
A

4

4



Isometric view

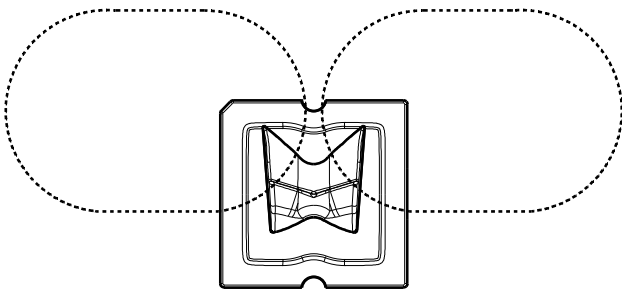


0.4mm tape

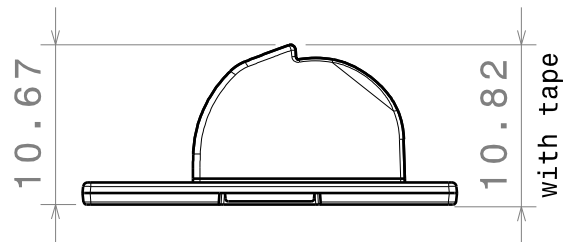
Bottom view

3

3



Beam direction



Front view

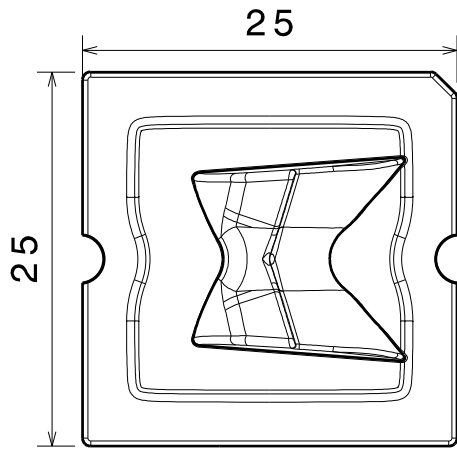
2

2

Part no.s:  
 C11818\_Strada-SQ-T-DW-XP  
 C11818\_Strada-SQ-T-DW-XP-G

Part no.s with tape:  
 CA11819\_Strada-SQ-T-DW-XP-TAPE  
 CA11819\_Strada-SQ-T-DW-XP-G-TAPE

MATERIALS  
 Lens: PMMA  
 Tape(optional): PU Foam



Top view

This drawing is our property.  
 It can't be reproduced  
 or communicated without  
 our written agreement.



Ledil Oy  
 Tehdaskatu 13  
 FIN-24100 SALO  
 Finland

DRAWING TITLE

Datasheet Strada-SQ-T-DW-XP Lens

DRAWN BY

mav

DATE

01.12.2010

CHECKED BY

pv

DATE

01.12.2010

SIZE

A4

DRAWING NUMBER

C11818

REV

1

DESIGNED BY

hh

DATE

01.12.2010

SCALE

2:1

WEIGHT (g)

SHEET

1/1

D

A

1

1