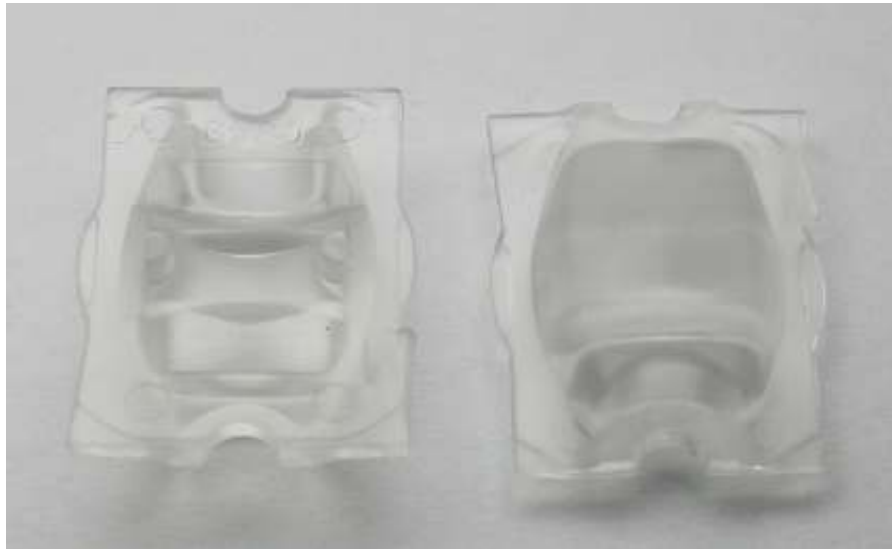


## STRADA-B2-XP LENSES FOR CREE XP-E LEDs



- Specially designed for Cree XP-E series of LEDs.
- New extremely wide street light design with very wide horizontal and vertical angle.
- Special care taken to make a uniform white or warm white illumination.
- Comes with integrated positioning pins, see drawing below for more details.
- Lens material optical grade PMMA with high UV and temperature resistance (105°C/220°F). Allows use of high current and temperature conditions.
- Best available optical efficiency, approximately 96%.
- Fastening to heat sink with or without PU foam adhesive tape of automotive grade, please select which suits the best for your needs.
- We advise customer to ensure the suitability and sufficiency of the bond in the end product. For example, mechanical stress, vibration and holes on the surface of the circuit board weaken the strength of the tape.
- Please check fastening details from this link:  
([http://www.ledil.com/datasheets/DataSheet\\_TAPE.pdf](http://www.ledil.com/datasheets/DataSheet_TAPE.pdf))

### LENS TYPES

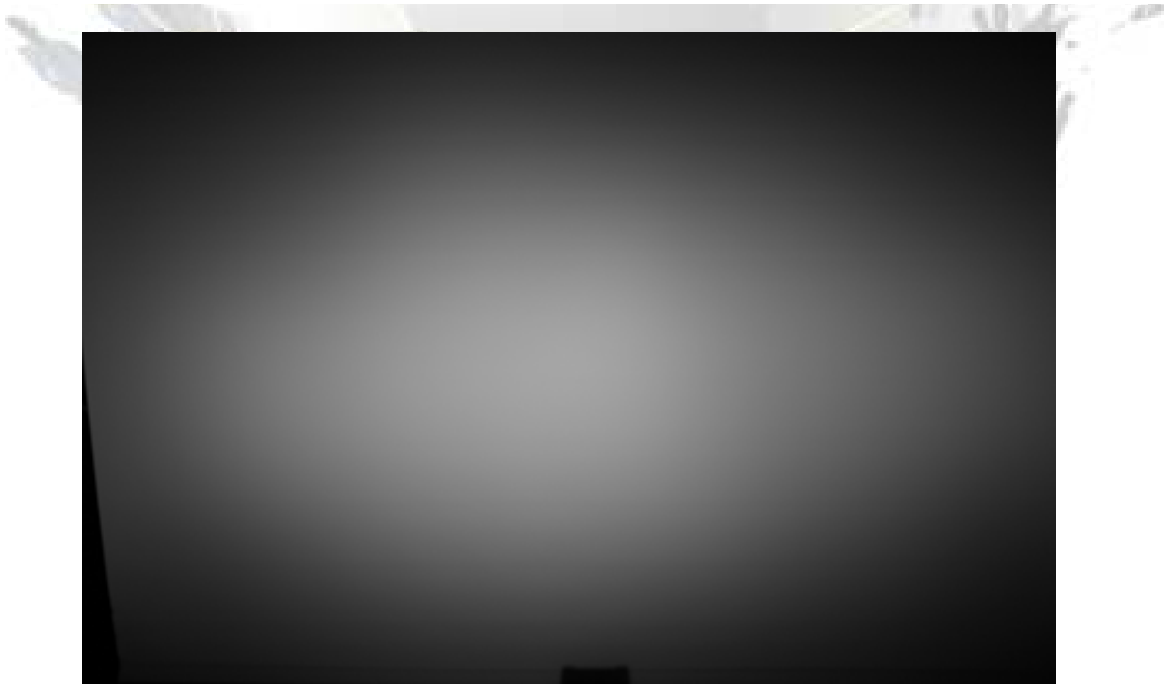
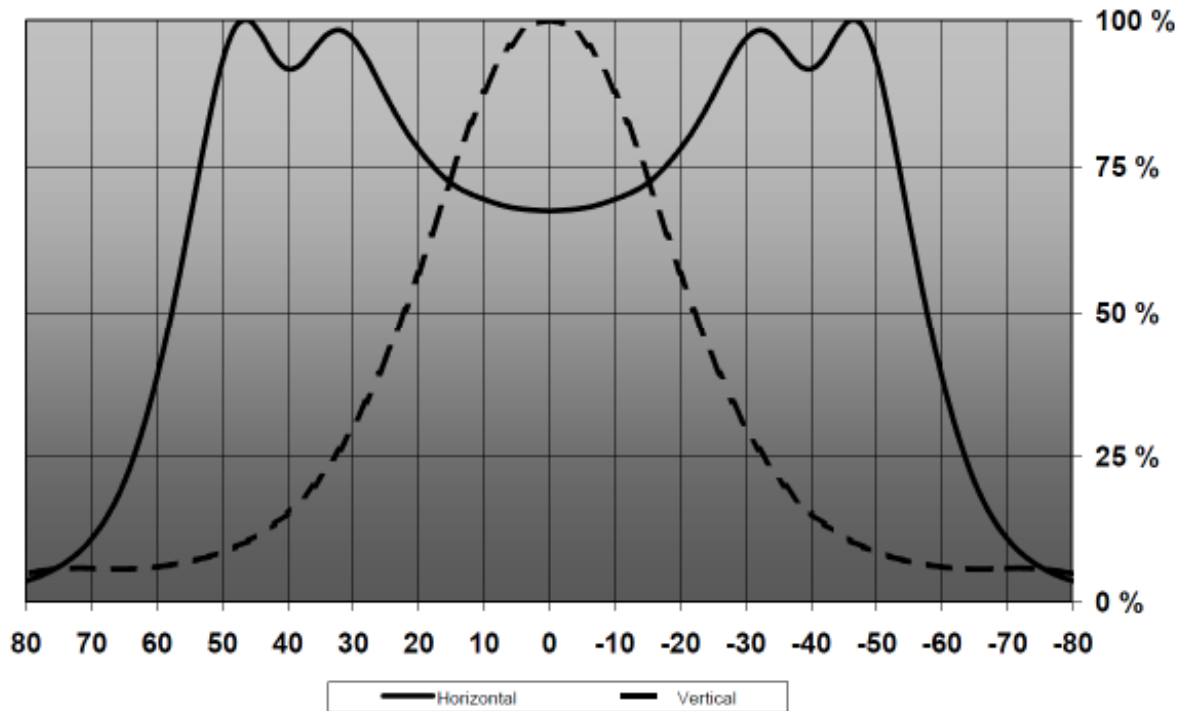
NAME	ORDERING CODE	FWHM Angle
Strada-B2-XP	C10949_Strada-B2-XP	±58° x ±22°
Strada-B2-XP-TAPE	CA10950_Strada-B2-XP-tape	±58° x ±22°

EULUMDAT & IES FILES AVAILABLE BY REQUEST

© Ledil Oy – PRELIMINARY - Subject to change without prior notice

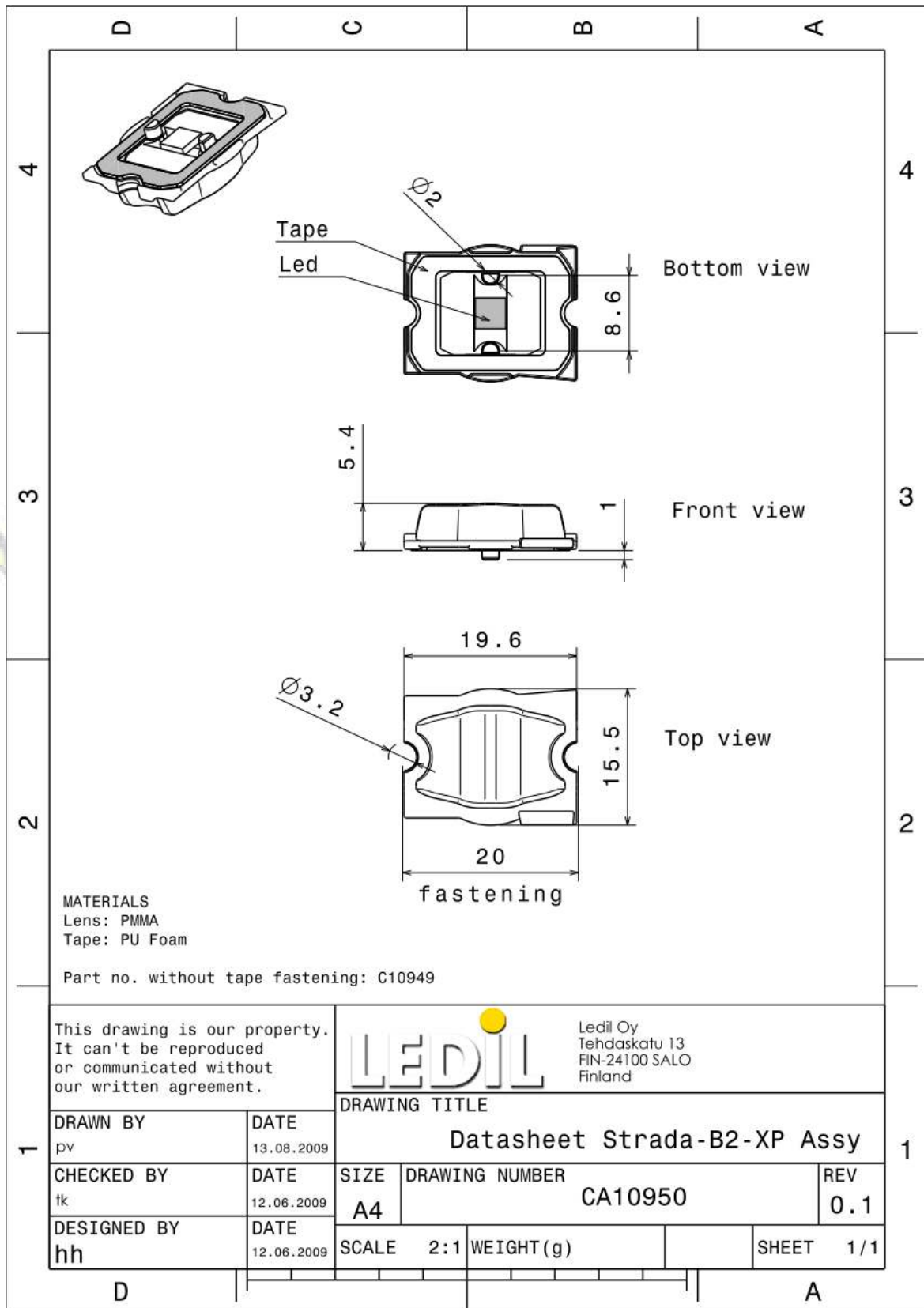
## MEASUREMENT DATA

Relative Intensity of C10926\_Strada-B-XP



© Ledil Oy – PRELIMINARY - Subject to change without prior notice

## DRAWINGS



© Ledil Oy – PRELIMINARY - Subject to change without prior notice