

**Ordering number C13662_ANGELA-S-B**

Family	ANGELA	FWHM	(simulated) 13
Type	Reflector	Efficiency	(simulated) 93 %
LED	CLL040	cd/lm	-
Color	Metal	Gerber File	Available
Diameter	119.5 mm		
Height	74.5 mm		
Style	Round		For BJB solderless connector
Optic Material	PC		
Holder Material	-		
Fastening	-		
Status	Promotion		

Ordering number C13663_ANGELA-M-B

Family	ANGELA	FWHM	(simulated) 18
Type	Reflector	Efficiency	(simulated) 93 %
LED	CLL040	cd/lm	-
Color	Metal	Gerber File	Available
Diameter	119.5 mm		
Height	74.5 mm		
Style	Round		For BJB solderless connector
Optic Material	PC		
Holder Material	-		
Fastening	-		
Status	Promotion		

Ordering number C13664_ANGELA-W-B

Family	ANGELA	FWHM	(simulated) 36
Type	Reflector	Efficiency	(simulated) 93 %
LED	CLL040	cd/lm	-
Color	Metal	Gerber File	Available
Diameter	119.5 mm		
Height	74.5 mm		
Style	Round		For BJB solderless connector
Optic Material	PC		
Holder Material	-		
Fastening	-		
Status	Promotion		

NOTE: The typical divergence will be changed by different color, chip size and chip position tolerance. The typical total divergence is the full angle measured where the luminous intensity is half of the peak value.



PRODUCT DATASHEET
ANGELA series
last update 29/4/2013

CITIZEN

GENERAL INFORMATION

- Product series especially designed & optimized for CLL040 series of LEDs.
- Special care taken to make light distribution as uniform as possible.
- Reflector is made of aluminium coated PC (120 degrees of Celcius / 248 degrees of Fahrenheit) with protective lacquer (110 degrees of Celcius / 230 degrees of Fahrenheit).

D

C

B

A

8

8

7

7

6

6

5

5

4

4

3

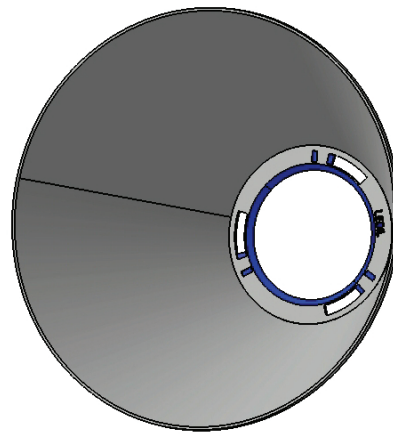
3

2

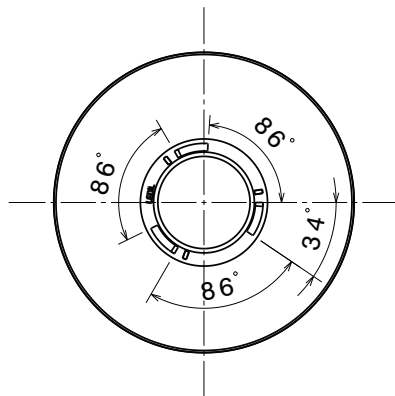
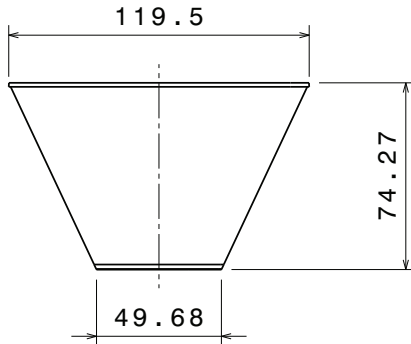
2

1

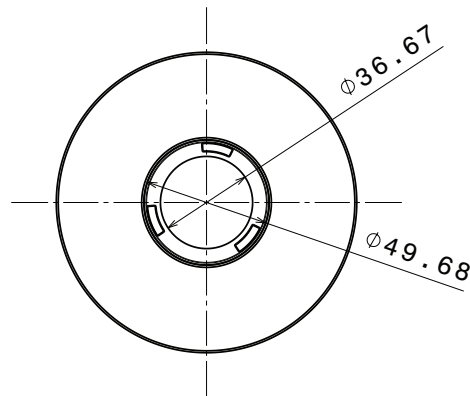
1



ISOMETRIC VIEW



TOP VIEW



BOTTOM VIEW

Tolerances if not otherwise shown
According to DIN ISO 2768-1
Linear measures:
Up to 30mm class F, otherwise class M.
According to DIN ISO 2768-2
Form and position: class K

LEDiL Ledil Oy
Salorankatu 10
FIN 24240 SALO
Finland

THIRD ANGLE PROJECTION:

DRAWING TITLE
ANGELA_Datasheet

This drawing is the property of LEDiL Oy. It may not be reproduced, copied or communicated without a written agreement with LEDiL Oy."

SIZE	PART NUMBER
A3	-

SCALE	1:1	WEIGHT	-	SHEET	1/1
-------	-----	--------	---	-------	-----

D

A