

**Ordering number C13235_SATU-W**

Family	Satu	FWHM	(simulated) 34
Type	Lens array	Efficiency	(simulated) 0 %
LED	XT-E	cd/lm	-
Color	Clear	Gerber File	Available
Diameter	21.8 mm		
Height	8.9 mm		
Style	Round		
Optic Material	PMMA		
Holder Material	-		
Fastening	Pin, glue		
Status	Ready		

Ordering number C13297_SATU-O

Family	Satu	FWHM	(simulated) 20+40
Type	Lens array	Efficiency	(simulated) 0 %
LED	XT-E	cd/lm	-
Color	Clear	Gerber File	Available
Diameter	21.8 mm		
Height	8.9 mm		
Style	Round		
Optic Material	PMMA		
Holder Material	-		
Fastening	Pin, glue		
Status	Ready		

Ordering number C13234_SATU-S

Family	Satu	FWHM	24 degrees
Type	Lens array	Efficiency	89 %
LED	XT-E	cd/lm	3.400
Color	Clear	Gerber File	Available
Diameter	21.8 mm		
Height	8.9 mm		
Style	Round		
Optic Material	PMMA		
Holder Material	-		
Fastening	Pin, glue		
Status	Ready		

NOTE: The typical divergence will be changed by different color, chip size and chip position tolerance. The typical total divergence is the full angle measured where the luminous intensity is half of the peak value.



PRODUCT DATASHEET

Satu series

last update 2/1/2013

GENERAL INFORMATION

- Product series especially designed & optimized for XT-E series of LEDs.
- Special care taken to make light distribution as uniform as possible.
- Lens material optical grade PMMA with high UV and temperature resistance. Allows use of high current and temperature conditions.

Please find more information about used material from below:

http://ledil.fi/sites/default/files/Documents/Technical/Material/PMMA%20N%20UL94_Yellow%20Card.pdf

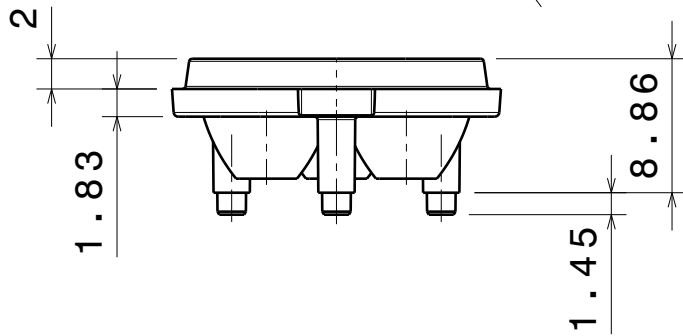
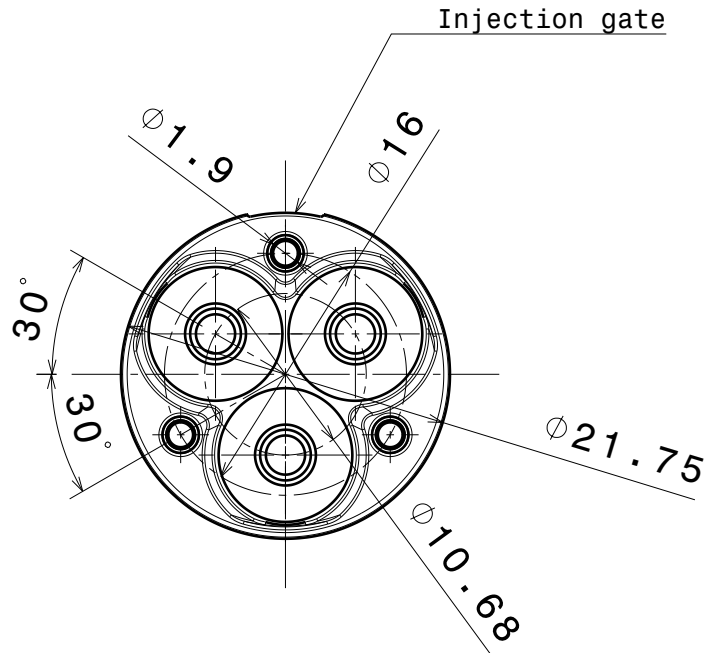
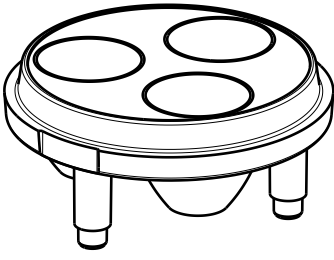
<http://ledil.fi/sites/default/files/Documents/Technical/Material/PMMA%20N%20PLEXIGLAS-Datasheet.pdf>

D

C

B

A



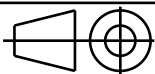
INDEX	PART NO	DESCRIPTION	MATERIAL	COLOUR
1	C13235	SATU-W	PMMA	

Tolerances if not otherwise shown
 According to DIN ISO 2768-1
 Linear measures:
 Up to 30mm class F, otherwise class M.
 According to DIN ISO 2768-2
 Form and position: class K



Ledil Oy
 Salorankatu 10
 FIN 24240 SALO
 Finland

THIRD ANGLE PROJECTION:



DRAWING TITLE

C13235_SATU-W

This drawing is the property of LEDiL Oy. It may not be reproduced, copied or communicated without a written agreement with LEDiL Oy."

SIZE PART NUMBER

A4

C13235

SCALE 2:1 WEIGHT 2 g SHEET 1/1

D

A

4

4

3

3

2

2

1

1