


**Ordering number C13235\_SATU-W**

|                 |            |             |                 |
|-----------------|------------|-------------|-----------------|
| Family          | Satu       | FWHM        | (simulated) 34  |
| Type            | Lens array | Efficiency  | (simulated) 0 % |
| LED             | XT-E       | cd/lm       | -               |
| Color           | Clear      | Gerber File | Available       |
| Diameter        | 21.8 mm    |             |                 |
| Height          | 8.9 mm     |             |                 |
| Style           | Round      |             |                 |
| Optic Material  | PMMA       |             |                 |
| Holder Material | -          |             |                 |
| Fastening       | Pin, glue  |             |                 |
| Status          | Ready      |             |                 |

**Ordering number C13297\_SATU-O**

|                 |            |             |                   |
|-----------------|------------|-------------|-------------------|
| Family          | Satu       | FWHM        | (simulated) 20+40 |
| Type            | Lens array | Efficiency  | (simulated) 0 %   |
| LED             | XT-E       | cd/lm       | -                 |
| Color           | Clear      | Gerber File | Available         |
| Diameter        | 21.8 mm    |             |                   |
| Height          | 8.9 mm     |             |                   |
| Style           | Round      |             |                   |
| Optic Material  | PMMA       |             |                   |
| Holder Material | -          |             |                   |
| Fastening       | Pin, glue  |             |                   |
| Status          | Ready      |             |                   |

**Ordering number C13234\_SATU-S**

|                 |            |             |            |
|-----------------|------------|-------------|------------|
| Family          | Satu       | FWHM        | 24 degrees |
| Type            | Lens array | Efficiency  | 89 %       |
| LED             | XT-E       | cd/lm       | 3.400      |
| Color           | Clear      | Gerber File | Available  |
| Diameter        | 21.8 mm    |             |            |
| Height          | 8.9 mm     |             |            |
| Style           | Round      |             |            |
| Optic Material  | PMMA       |             |            |
| Holder Material | -          |             |            |
| Fastening       | Pin, glue  |             |            |
| Status          | Ready      |             |            |

**NOTE: The typical divergence will be changed by different color, chip size and chip position tolerance. The typical total divergence is the full angle measured where the luminous intensity is half of the peak value.**



## PRODUCT DATASHEET

### Satu series

last update 2/1/2013

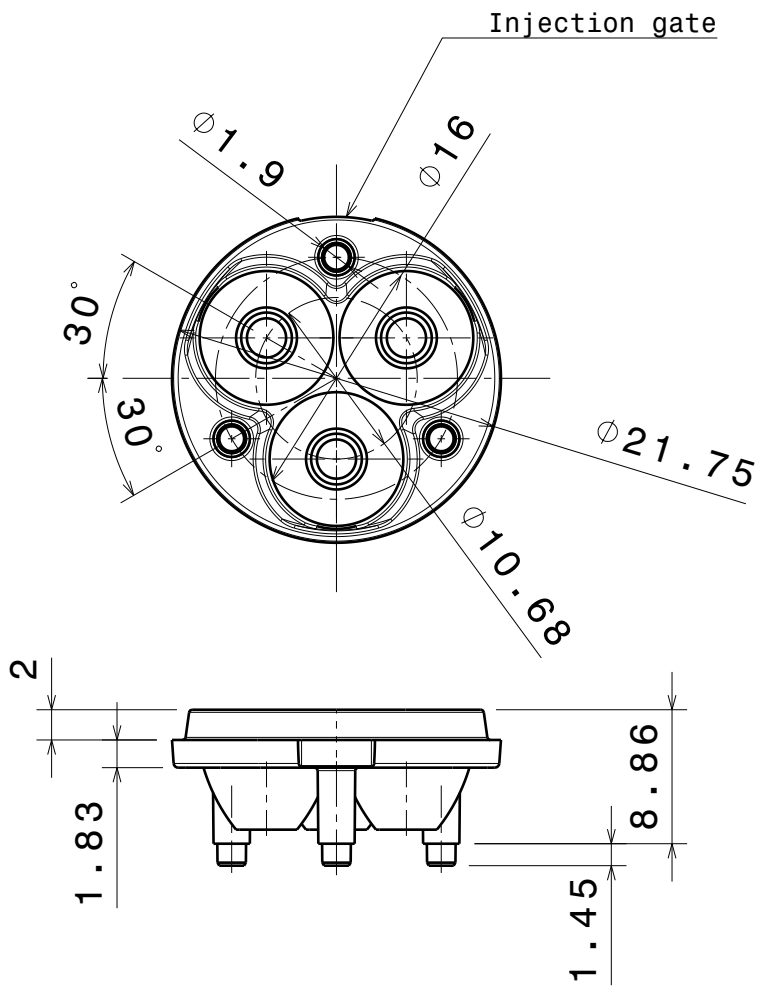
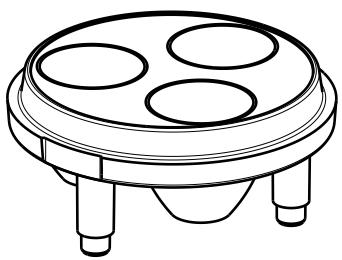
#### GENERAL INFORMATION

- Product series especially designed & optimized for XT-E series of LEDs.
- Special care taken to make light distribution as uniform as possible.
- Lens material optical grade PMMA with high UV and temperature resistance. Allows use of high current and temperature conditions.

Please find more information about used material from below:

[http://ledil.fi/sites/default/files/Documents/Technical/Material/PMMA%20N%20UL94\\_Yellow%20Card.pdf](http://ledil.fi/sites/default/files/Documents/Technical/Material/PMMA%20N%20UL94_Yellow%20Card.pdf)

<http://ledil.fi/sites/default/files/Documents/Technical/Material/PMMA%20N%20PLEXIGLAS-Datasheet.pdf>



| INDEX | PART NO | DESCRIPTION | MATERIAL | COLOUR |
|-------|---------|-------------|----------|--------|
| 1     | C13235  | SATU-W      | PMMA     |        |

Tolerances if not otherwise shown  
 According to DIN ISO 2768-1  
 Linear measures:  
 Up to 30mm class F, otherwise class M.  
 According to DIN ISO 2768-2  
 Form and position: class K

**LEDiL** LediL Oy  
 Salorankatu 10  
 FIN 24240 SALO  
 Finland

THIRD ANGLE PROJECTION:

DRAWING TITLE  
**C13235\_SATU-W**

This drawing is the property of LEDiL Oy. It may not be reproduced, copied or communicated without a written agreement with LEDiL Oy."

| SIZE | PART NUMBER |
|------|-------------|
| A4   | C13235      |

| SCALE | WEIGHT | SHEET |
|-------|--------|-------|
| 2:1   | 2 g    | 1/1   |

D

A