

H G F E D C B A

4

3

2

1

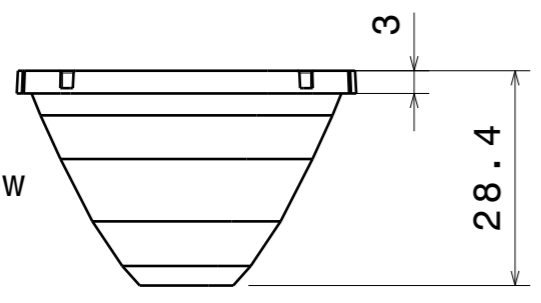
4

3

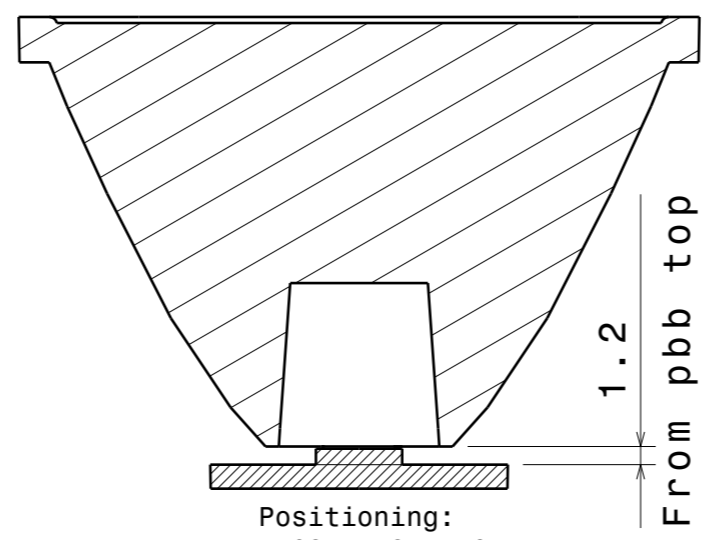
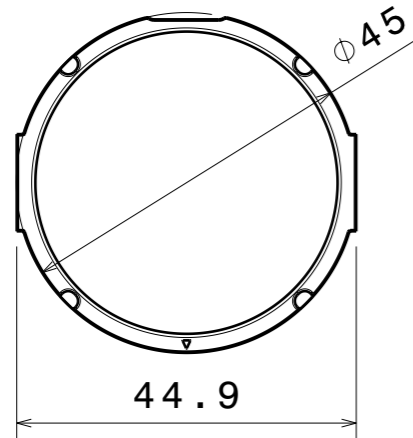
2

1

Front view

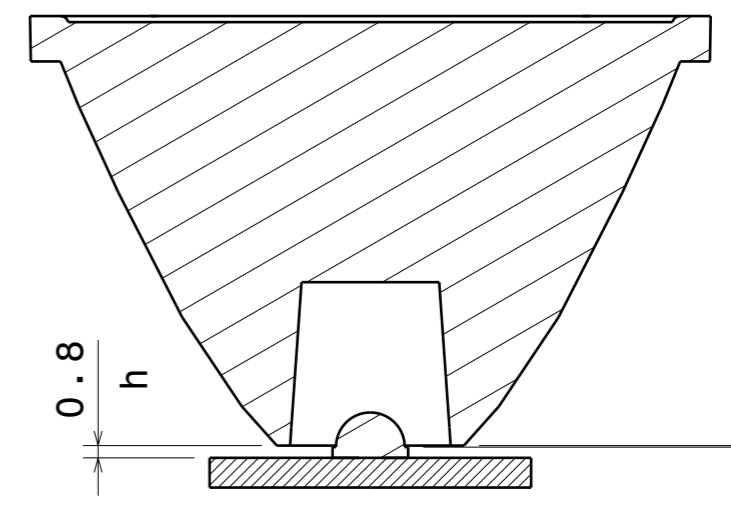


Top view



Positioning:  
 - OSRAM SMT RGB  
 - LUXEON Z RGB

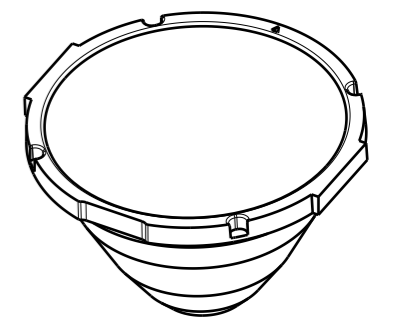
1.2  
 From pcb top



Typical positioning:  
 - Dimension h (0,8) depends on led-type chosen.  
 - Dimension h is adjusted to meet 0.1mm suggestion unless mechanical fitting is not harmed.  
 - Cree XM-L RGBW drawn

0.8  
 h  
 0.1  
 from led base top

Isometric view



INDEX	PART NO	DESCRIPTION	MATERIAL	COLOUR
1	C13185	GERI-RZ	PMMA 8N	

Tolerances if not otherwise shown  
 According to DIN ISO 2768-1  
 Linear measures:  
 Up to 30mm class F, otherwise class M.  
 According to DIN ISO 2768-2  
 Form and position: class K

**LEDiL** LediL Oy  
 Salorankatu 10  
 FIN 24240 SALO  
 Finland

THIRD ANGLE PROJECTION:

DRAWING TITLE  
**GERI-RZ**

This drawing is the property of LEDiL Oy. It may not be reproduced, copied or communicated without a written agreement with LEDiL Oy."

SIZE **A3** PART NUMBER **C13185**

SCALE 1:1 WEIGHT SHEET 1/1

H G B A