

**Ordering number C12916\_CRYSTAL-RS**

Family	Crystal	FWHM	(simulated) 5
Type	Lens	Efficiency	(simulated) 0 %
LED	LUXEON Rebel	cd/lm	-
Color	Clear	Gerber File	Available
Diameter	46.8 mm		
Height	27.4 mm		
Style	Round		
Optic Material	PMMA		
Holder Material	-		
Fastening	-		
Status	Promotion		

**Ordering number C12985\_CRYSTAL-MINE**

Family	Crystal	FWHM	(simulated) 5
Type	Lens	Efficiency	(simulated) 0 %
LED	LUXEON Rebel	cd/lm	-
Color	Clear	Gerber File	Available
Diameter	46.8 mm		
Height	27.4 mm		
Style	Round		
Optic Material	PMMA		
Holder Material	-		
Fastening	-		
Status	Promotion		

Product designed especially for Mining applications. Lens produ

**NOTE: The typical divergence will be changed by different color, chip size and chip position tolerance. The typical total divergence is the full angle measured where the luminous intensity is half of the peak value.**



## PRODUCT DATASHEET

### Crystal series

last update 15/11/2012

PHILIPS  
LUMILEDS

#### GENERAL INFORMATION

- Product series especially designed & optimized for LUXEON Rebel series of LEDs.
- Special care taken to make light distribution as uniform as possible.
- Lens material optical grade PMMA with high UV and temperature resistance. Allows use of high current and temperature conditions.

Please find more information about used material from below:

[http://ledil.fi/sites/default/files/Documents/Technical/Material/PMMA%20N%20UL94\\_Yellow%20Card.pdf](http://ledil.fi/sites/default/files/Documents/Technical/Material/PMMA%20N%20UL94_Yellow%20Card.pdf)

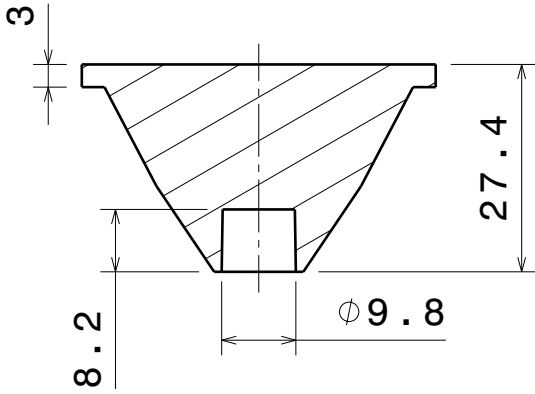
<http://ledil.fi/sites/default/files/Documents/Technical/Material/PMMA%20N%20PLEXIGLAS-Datasheet.pdf>

D

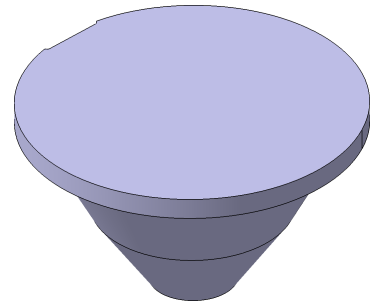
C

B

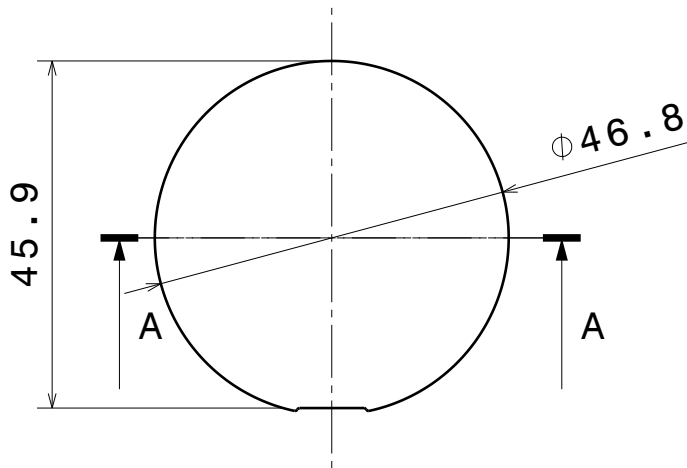
A



Section view A-A  
Scale: 1:1



Isometric view  
Scale: 1:1



Section view A-A  
Scale: 1:1

This drawing is our property.  
It can't be reproduced  
or communicated without  
our written agreement.



Ledil Oy  
Salorankatu 10  
FIN 24240 SALO  
Finland

DRAWING TITLE Mechanical drawing

DRAWN BY  
oha

DATE  
16.8.2012

CRYSTAL-RS

CHECKED BY  
-

DATE  
-

SIZE  
A4

PART NUMBER

REV  
002

DESIGNED BY  
hh/mav

DATE  
-

SCALE 1:1

WEIGHT 20,06 g

SHEET 1/1

D

A

4

4

3

3

2

2

1

1