



PRELIMINARY DATA SHEET

2G bits DDR3L SDRAM

D2568ECMDPGJD(I)-U (256M words x 8 bits)

D2568ECMDPGME-U (256M words x 8 bits)

D1216ECMDXGJD(I)-U (128M words x 16 bits)

D1216ECMDXGME(I/Y)-U (128M words x 16 bits)

Specifications

- Density: 2G bits
- Organization
 - 32Mwords x 8bits x 8banks
 - 16Mwords x 16bits x 8banks
- Package
 - 78-ball FBGA
 - 96-ball FBGA
 - Lead-free (RoHS compliant) and Halogen-free
- Power supply: 1.35V (Typ)
 - VDD, VDDQ = 1.283V to 1.45V
 - Backward compatible for VDD, VDDQ=1.5V ± 0.075V
- Data rate
 - 2133Mbps/1866Mbps/1600Mbps/1333Mbps (max.)
- 2KB page size
 - Row address: A0 to A13
 - Column address: A0 to A9
- 1KB page size
 - Row address: A0 to A14
 - Column address: A0 to A9
- Eight internal banks for concurrent operation
- Burst lengths (BL): 8 and 4 with Burst Chop (BC)
- Burst type (BT):
 - Sequential (8, 4 with BC)
 - Interleave (8, 4 with BC)
- Programmable /CAS (Read) Latency (CL)
- Programmable /CAS Write Latency (CWL)
- Precharge: auto precharge option for each burst access
- Driver strength: RZQ/7, RZQ/6 (RZQ = 240Ω)
- Refresh: auto-refresh, self-refresh
- Refresh cycles
 - Average refresh period
 - 7.8μs at 0°C ≤ Temperature ≤ +85°C
 - 3.9μs at +85°C ≤ Temperature ≤ +105°C
- Operating Case temperature range
 - 0°C to +95°C (Commercial Temperature)
 - -40°C to +95°C (Industrial Temperature)
 - -40°C to +105°C (Automotive Temperature)

Features

- Double-data-rate architecture: two data transfers per clock cycle
- The high-speed data transfer is realized by the 8 bits prefetch pipelined architecture
- Bi-directional differential data strobe (DQS and /DQS) is transmitted/received with data for capturing data at the receiver
- DQS is edge-aligned with data for READs; center-aligned with data for WRITEs
- Differential clock inputs (CK and /CK)
- DLL aligns DQ and DQS transitions with CK transitions
- Commands entered on each positive CK edge; data and data mask referenced to both edges of DQS
- Data mask (DM) for write data
- Posted /CAS by programmable additive latency for better command and data bus efficiency
- On-Die Termination (ODT) for better signal quality
 - Synchronous ODT
 - Dynamic ODT
 - Asynchronous ODT
- Multi Purpose Register (MPR) for pre-defined pattern read out
- ZQ calibration for DQ drive and ODT
- Automatic self refresh (ASR)
- /RESET pin for Power-up sequence and reset function
- SRT range:
 - Normal/extended
- Programmable Output driver impedance control

Revision History

Revision No.	History	Release date	Remark
1.0	Initial release	Feb 2019	
1.1	Second release	Mar 2019	Add Data rate 2133 and I-temp
1.2	Third release	Sept 2019	Add P/N and A-temp
1.3	Fourth release	Nov 2019	Revise file name
1.4	Fifth release	Nov 2019	Add P/N
1.5	Sixth release	Dec 2019	Add P/N

**Products and specifications discussed herein are for evaluation and reference purposes only and are subject to change by without notice. All information discussed herein is provided on an "as is" basis, without warranties of any kind.*

Ordering Information

Part Number	Die revision	Organization (words x bits)	Internal Banks	JEDEC speed bin (CL-tRCD-tRP)	Package
D2568ECMDPGJD-U	D	256M x 8	8	DDR3L-1866 (13-13-13)	78-ball FBGA
D2568ECMDPGJDI-U					
D2568ECMDPGME-U	D	256M x 8	8	DDR3L-2133 (14-14-14)	78-ball FBGA
D1216ECMDXGJD-U	D	128M x 16	8	DDR3L-1866 (13-13-13)	96-ball FBGA
D1216ECMDXGJDI-U					
D1216ECMDXGME-U	D	128M x 16	8	DDR3L-2133 (14-14-14)	96-ball FBGA
D1216ECMDXGMEI-U					
D1216ECMDXGMEY-U					

Part Number

D 1216 E C M D X G M E I -U

Type

D: Monolithic
(Package/1 Rank)

Organization

1216:128M x 16
2568:256M x 8

Product Family

E: DDR3L, 1.35V

Manufacture

Kingston

Die Revision

Internal Code (Not in DRAM marking)

Temperature

Blank : Commercial Temperature(0°C to +95°C)
I : Industrial Temperature(-40°C to +95°C)
Y:Automotive Temperature(-40°C to +105°C)

Speed

JD:1866 (13-13-13)
ME:2133 (14-14-14)

Environment Code

G: Green (RoHS Compliant+ Halogen Free)

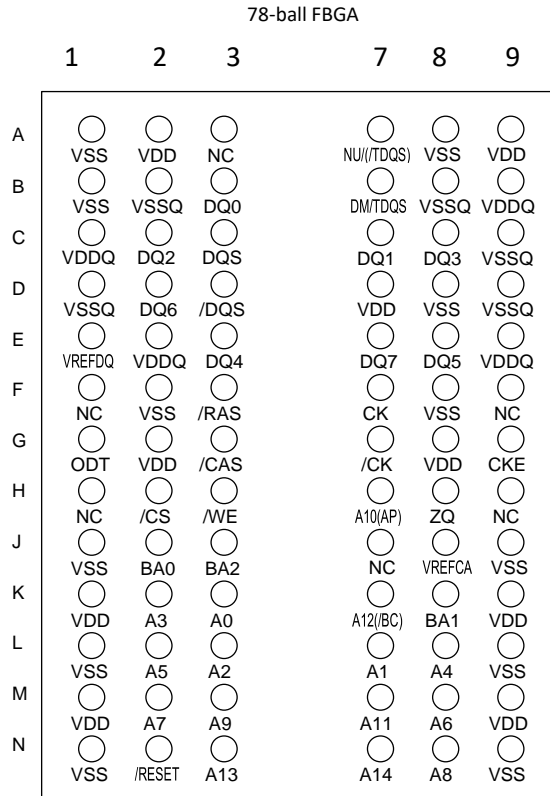
Package Type

P:BGA78
X:BGA96

Pin Configurations

Pin Configurations (x8 configuration)

/xxx indicates active low signal



Pin	Function
A0 to A14 ³	Address inputs A10(AP) : Auto precharge A12(/BC) : Burst chop
BA0 to BA2 ³	Bank select
DQ0 to DQ7	Data input/output
DQS, /DQS	Differential data strobe
TDQS, /TDQS	Termination data strobe
/CS ³	Chip select
/RAS, /CAS, /WE ³	Command input
CKE ³	Clock enable
CK, /CK	Differential clock input
DM	Write data mask
ODT ³	ODT control

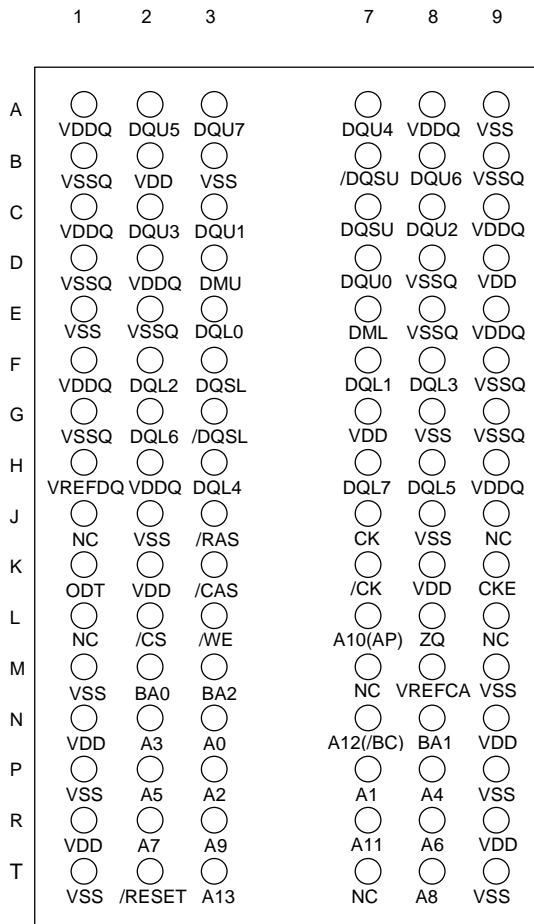
Pin name	Function
/RESET ³	Active low asynchronous reset
VDD	Supply voltage for internal circuit
VSS	Ground for internal circuit
VDDQ	Supply voltage for DQ circuit
VSSQ	Ground for DQ circuit
VREFDQ	Reference voltage for DQ
VREFCA	Reference voltage for CA
ZQ	Reference pin for ZQ calibration
NC ¹	No connection
NU ²	Not usable

- Notes : 1. Not internally connected with die.
 2. Don't connect Internally connected.
 3. Input only pins (address, command, CKE, ODT and /RESET) do not supply termination

Pin Configurations (x16 configuration)

/xxx indicates active low signal

96-ball FBGA



(Top view)

Pin	Function	Pin name	Function
A0 to A13 ²	Address inputs A10(AP) : Auto precharge A12(/BC) : Burst chop	/RESET ²	Active low asynchronous reset
BA0 to BA2 ²	Bank select	VDD	Supply voltage for internal circuit
DQU0 to DQU7 DQL0 to DQL7	Data input/output	VSS	Ground for internal circuit
DQSU, /DQSU DQSL, /DQSL	Differential data strobe	VDDQ	Supply voltage for DQ circuit
/CS ²	Chip select	VSSQ	Ground for DQ circuit
/RAS, /CAS, /WE ²	Command input	VREFDQ	Reference voltage for DQ
CKE ²	Clock enable	VREFCA	Reference voltage for CA
CK, /CK	Differential clock input	ZQ	Reference pin for ZQ calibration
DMU, DML	Write data mask	NC ¹	No connection
ODT ²	ODT control		

Notes : 1. Not internally connected with die.

2. Input only pins (address, command, CKE, ODT and /RESET) do not supply termination.

CONTENTS

Specifications	1
Features	1
Revision History	2
Ordering Information	3
Part Number	3
Pin Configurations	4
1. Electrical Conditions	7
1.1 Absolute Maximum Ratings	7
1.2 Operating Temperature Condition	7
1.3 Recommended DC Operating Conditions	8
1.4 IDD and IDDQ Measurement Conditions	9
2. Electrical Specifications	22
2.1 DC Characteristics	22
2.2 Pin Capacitance	24
2.3 Standard Speed Bins	25
3. Package Drawing	29
3.1 78-ball FBGA	29
3.2 96-ball FBGA	30

1. Electrical Conditions

- All voltages are referenced to VSS (GND)
- Execute power-up and Initialization sequence before proper device operation is achieved.

1.1 Absolute Maximum Ratings

Table 1: Absolute Maximum Ratings

Parameter	Symbol	Rating	Unit	Notes
Power supply voltage	VDD	-0.4 to +1.80	V	1, 3
Power supply voltage for output	VDDQ	-0.4 to +1.80	V	1, 3
Input voltage	VIN	-0.4 to +1.80	V	1
Output voltage	VOUT	-0.4 to +1.80	V	1
Reference voltage	VREFCA	0.49 to $0.51 \times VDD$	V	3
Reference voltage for DQ	VREFDQ	0.49 to $0.51 \times VDDQ$	V	3
Storage temperature	Tstg	-55 to +100	°C	
Power dissipation	PD	1.0	W	1
Short circuit output current	IOUT	50	mA	1

- Notes: 1. Stresses greater than those listed under Absolute Maximum Ratings may cause permanent damage to the device. This is a stress rating only and functional operation of the device at these or any other conditions above those indicated in the operational sections of this specification is not implied. Exposure to absolute maximum rating conditions for extended periods may affect reliability.
2. Storage temperature is the case surface temperature on the center/top side of the DRAM.
3. VDD and VDDQ must be within 300mV of each other at all times; and VREF must be no greater than $0.6 \times VDDQ$, When VDD and VDDQ are less than 500mV; VREF may be equal to or less than 300mV.

Caution: Exposing the device to stress above those listed in Absolute Maximum Ratings could cause permanent damage. The device is not meant to be operated under conditions outside the limits described in the operational section of this specification. Exposure to Absolute Maximum Rating conditions for extended periods may affect device reliability.

1.2 Operating Temperature Condition

Table 2: Operating Temperature Condition

Parameter	Rating	Unit	Notes
Commercial temperature	0 to +95	°C	1, 2, 3
Industrial temperature	-40 to +95	°C	1, 2, 3
Automotive temperature	-40 to +105	°C	1, 2, 3

- Notes: 1. Operating temperature is the case surface temperature on the center/top side of the DRAM.
2. The Normal Temperature Range specifies the temperatures where all DRAM specifications will be supported. During operation, the DRAM temperature must be maintained between 0°C to +85°C for commercial temperature, -40°C to +85°C for industrial/automotive temperature under all operating conditions.
3. Some applications require operation of the DRAM in the Extended Temperature Range between +85°C to +95°C for commercial/industrial operating temperature and +85°C to +105°C for automotive operating temperature. Full specifications are guaranteed in this range, but the following additional conditions apply:
- a) Refresh commands must be doubled in frequency, therefore reducing the refresh interval tREFI to 3.9µs. (This double refresh requirement may not apply for some devices.)
- b) If Self-refresh operation is required in the Extended Temperature Range, then it is mandatory to either use the Manual Self-Refresh mode with Extended Temperature Range capability (MR2 bit [A6, A7] = [0, 1]) or enable the optional Auto Self-Refresh mode (MR2 bit [A6, A7] = [1, 0]).

1.3 Recommended DC Operating Conditions

Table 3-a: Recommended DC Operating Conditions, DDR3L Operation.

Parameter	Symbol	min	typ	max	Unit	Notes
Supply voltage	VDD	1.283	1.35	1.45	V	1, 2, 3
Supply voltage for DQ	VDDQ	1.283	1.35	1.45	V	1, 2, 3

- Notes: 1. Under all conditions VDDQ must be less than or equal to VDD.
2. VDDQ tracks with VDD. AC parameters are measured with VDD and VDDQ tied together.
3. Commercial Temperature 0°C to +95°C, Industrial Temperature -40°C to +95° and Automotive Temperature -40°C to +105°C.

Table 3-b: Recommended DC Operating Conditions, DDR3 Operation.

Parameter	Symbol	min	typ	max	Unit	Notes
Supply voltage	VDD	1.425	1.5	1.575	V	1, 2, 3
Supply voltage for DQ	VDDQ	1.425	1.5	1.575	V	1, 2, 3

- Notes: 1. Under all conditions VDDQ must be less than or equal to VDD.
2. VDDQ tracks with VDD. AC parameters are measured with VDD and VDDQ tied together.
3. Commercial Temperature 0°C to +95°C, Industrial Temperature -40°C to +95° and Automotive Temperature -40°C to +105°C.

1.4 IDD and IDDQ Measurement Conditions

In this chapter, IDD and IDDQ measurement conditions such as test load and patterns are defined.

The figure Measurement Setup and Test Load for IDD and IDDQ Measurements shows the setup and test load for IDD and IDDQ measurements.

- IDD currents (such as IDD0, IDD1, IDD2N, IDD2NT, IDD2P0, IDD2P1, IDD2Q, IDD3N, IDD3P, IDD4R, IDD4W, IDD5B, IDD6, IDD6ET and IDD7) are measured as time-averaged currents with all VDD balls of the DDR3 SDRAM under test tied together. Any IDDQ current is not included in IDD currents.
- IDDQ currents (such as IDDQ2NT and IDDQ4R) are measured as time-averaged currents with all VDDQ balls of the DDR3 SDRAM under test tied together. Any IDD current is not included in IDDQ currents.

Note:IDDQ values cannot be directly used to calculate I/O power of the DDR3 SDRAM. They can be used to support correlation of simulated I/O power to actual I/O power as outlined in correlation from simulated channel I/O power to actual channel I/O power supported by IDDQ measurement.

For IDD and IDDQ measurements, the following definitions apply:

- L and 0: $V_{IN} \leq V_{IL(AC)max}$
- H and 1: $V_{IN} \geq V_{IH(AC)min}$
- MID-LEVEL: defined as inputs are $V_{REF} = V_{DDQ} / 2$
- FLOATING: don't care or floating around V_{REF} .
- Timings used for IDD and IDDQ measurement-loop patterns are provided in Timings used for IDD and IDDQ Measurement-Loop Patterns table.
- Basic IDD and IDDQ measurement conditions are described in Basic IDD and IDDQ Measurement Conditions table.

Note:The IDD and IDDQ measurement-loop patterns need to be executed at least one time before actual IDD or IDDQ measurement is started.

- Detailed IDD and IDDQ measurement-loop patterns are described in IDD0 Measurement-Loop Pattern table through IDD7 Measurement-Loop Pattern table.
- IDD Measurements are done after properly initializing the DDR3 SDRAM. This includes but is not limited to setting.
 - RON = $RZQ/7$ (34 Ω in MR1);
 - Qoff = 0B (Output Buffer enabled in MR1);
 - RTT_Nom = $RZQ/6$ (40 Ω in MR1);
 - RTT_WR = $RZQ/2$ (120 Ω in MR2);
 - TDQS Feature disabled in MR1
- Define D = {/CS, /RAS, /CAS, /WE} : = {H, L, L, L}
- Define /D = {/CS, /RAS, /CAS, /WE} : = {H, H, H, H}

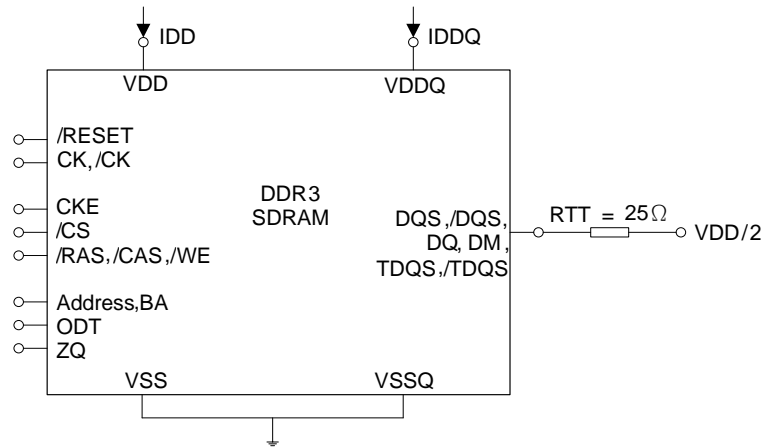


Figure 1: Measurement Setup and Test Load for IDD and IDDQ Measurements

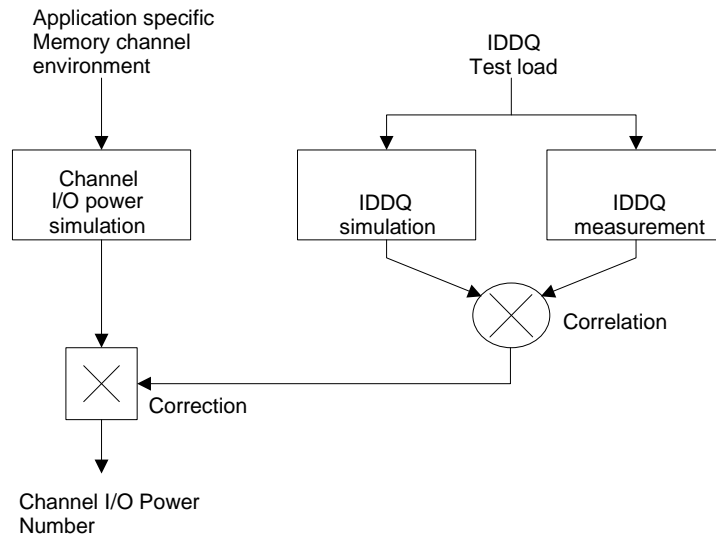


Figure 2: Correlation from Simulated Channel I/O Power to Actual Channel I/O Power Supported by IDDQ Measurement

1.4.1 Timings Used for IDD and IDDQ Measurement-Loop Patterns

Table 4 : Timings Used for IDD and IDDQ Measurement-Loop Patterns

Parameter	DDR3L-1333	DDR3L-1600	DDR3L-1866	DDR3L-2133	Unit
	9-9-9	11-11-11	13-13-13	14-14-14	
CL	9	11	13	14	nCK
tCK(min)	1.5	1.25	1.071	0.938	ns
nRCD(min)	9	11	13	14	nCK
nRC(min)	33	39	45	50	nCK
nRAS(min)	24	28	32	36	nCK
nRP(min)	9	11	13	14	nCK
nFAW	30	32	33	27	nCK
nRRD	5	6	6	6	nCK
nRFC	174	208	243	279	nCK

1.4.2 Basic IDD and IDDQ Measurement Conditions

Table 5: Basic IDD and IDDQ Measurement Conditions

Parameter	Symbol	Description
Operating one bank active precharge current	IDD0	CKE: H; External clock: on; tCK, nRC, nRAS, CL: see Table 4 ; BL: 8*1; AL: 0; /CS: H between ACT and PRE; Command, address, bank address inputs: partially toggling according to Table 6 ; Data I/O: MID-LEVEL; DM: stable at 0; Bank activity: cycling with one bank active at a time: 0,0,1,1,2,2,... (see Table 6); Output buffer and RTT: enabled in MR*2; ODT signal: stable at 0; Pattern details: see Table 6
Operating one bank active-read-precharge current	IDD1	CKE: H; External clock: On; tCK, nRC, nRAS, nRCD, CL: see Table 4 ; BL: 8*1, *6; AL: 0; /CS: H between ACT, RD and PRE; Command, address, bank address inputs, data I/O: partially toggling according to Table 7 ; DM: stable at 0; Bank activity: cycling with one bank active at a time: 0,0,1,1,2,2,... (see Table 7); Output buffer and RTT: enabled in MR*2; ODT Signal: stable at 0; Pattern details: see Table 7
Precharge standby current	IDD2N	CKE: H; External clock: on; tCK, CL: see Table 4 BL: 8*1; AL: 0; /CS: stable at 1; Command, address, bank address Inputs: partially toggling according to Table 8 ; data I/O: MID-LEVEL; DM: stable at 0; bank activity: all banks closed; output buffer and RTT: enabled in mode registers*2; ODT signal: stable at 0; pattern details: see Table 8
Precharge standby ODT current	IDD2NT	CKE: H; External clock: on; tCK, CL: see Table 4 ; BL: 8*1; AL: 0; /CS: stable at 1; Command, address, bank address Inputs: partially toggling according to Table 9 ; data I/O: MID-LEVEL; DM: stable at 0; bank activity: all banks closed; output buffer and RTT: enabled in MR*2; ODT signal: toggling according to Table 9 ; pattern details: see Table 9
Precharge standby ODT IDDQ current	IDDQ2NT	Same definition like for IDD2NT, however measuring IDDQ current instead of IDD current
Precharge power-down current slow exit	IDD2P0	CKE: L; External clock: on; tCK, CL: see Table 4 ; BL: 8*1; AL: 0; /CS: stable at 1; Command, address, bank address inputs: stable at 0; data I/O: MID-LEVEL; DM: stable at 0; bank activity: all banks closed; output buffer and RTT: EMR*2; ODT signal: stable at 0; precharge power down mode: slow exit*3
Precharge power-down current fast exit	IDD2P1	CKE: L; External clock: on; tCK, CL: see Table 4 ; BL: 8*1; AL: 0; /CS: stable at 1; Command, address, bank address Inputs: stable at 0; data I/O: MID-LEVEL; DM: stable at 0; bank activity: all banks closed; output buffer and RTT: enabled in MR*2; ODT signal: stable at 0; precharge power down mode: fast exit*3
Precharge quiet standby current	IDD2Q	CKE: H; External clock: On; tCK, CL: see Table 4 ; BL: 8*1; AL: 0; /CS: stable at 1; Command, address, bank address Inputs: stable at 0; data I/O: MID-LEVEL; DM: stable at 0; bank activity: all banks closed; output buffer and RTT: enabled in MR*2; ODT signal: stable at 0
Active standby current	IDD3N	CKE: H; External clock: on; tCK, CL: see Table 4 ; BL: 8*1; AL: 0; /CS: stable at 1; Command, address, bank address Inputs: partially toggling according to Table 8 ; data I/O: MID-LEVEL; DM: stable at 0; bank activity: all banks open; output buffer and RTT: enabled in MR*2; ODT signal: stable at 0; pattern details: see Table 8
Active power-down current	IDD3P	CKE: L; External clock: on; tCK, CL: see Table 4 ; BL: 8*1; AL: 0; /CS: stable at 1; Command, address, bank address inputs: stable at 0; data I/O: MID-LEVEL; DM: stable at 0; bank activity: all banks open; output buffer and RTT: enabled in MR*2; ODT signal: stable at 0
Operating burst read current	IDD4R	CKE: H; External clock: on; tCK, CL: see Table 4 ; BL: 8*1, *6; AL: 0; /CS: H between RD; Command, address, bank address Inputs: partially toggling according to Table 11 ; data I/O: seamless read data burst with different data between one burst and the next one according to Table 11 ; DM: stable at 0; bank activity: all banks open, RD commands cycling through banks: 0,0,1,1,2,2,... (see Table 11); Output buffer and RTT: enabled in MR*2; ODT signal: stable at 0; pattern details: see Table 11

Table 5: Basic IDD and IDDQ Measurement Conditions (cont'd)

Parameter	Symbol	Description
Operating burst write current	IDD4W	CKE: H; External clock: on; tCK, CL: see Table 4 ; BL: 8*1; AL: 0; /CS: H between WR; command, address, bank address inputs: partially toggling according to Table 12 ; data I/O: seamless write data burst with different data between one burst and the next one according to IDD4W Measurement-Loop Pattern table; DM: stable at 0; bank activity: all banks open, WR commands cycling through banks: 0,0,1,1,2,2,... (see Table 12); Output buffer and RTT: enabled in MR*2; ODT signal: stable at H; pattern details: see Table 12
Burst refresh current	IDD5B	CKE: H; External clock: on; tCK, CL, nRFC: see Table 4 ; BL: 8*1; AL: 0; /CS: H between REF; Command, address, bank address Inputs: partially toggling according to Table 13 ; data I/O: MID-LEVEL; DM: stable at 0; bank activity: REF command every nRFC (Table 12); output buffer and RTT: enabled in MR*2; ODT signal: stable at 0; pattern details: see Table 13
Self-refresh current: normal temperature range	IDD6	Commercial temperature : 0 to 85°C and Industrial temperature -40 to 85°C; ASR: disabled*4; SRT: Normal*5; CKE: L; External clock: off; CK and /CK: L; CL: see Table 4 ; BL: 8*1;AL: 0; /CS, command, address, bank address, data I/O: MID-LEVEL; DM: stable at 0; bank activity: Self-refresh operation; output buffer and RTT: enabled in MR*2; ODT signal: MID-LEVEL
Self-refresh current: extended temperature range	IDD6ET	Commercial temperature : 0 to 95°C and Industrial temperature -40 to 95°C; ASR: Disabled*4; SRT: Extended*5; CKE: L; External clock: off; CK and /CK: L; CL: Table 4 ; BL: 8*1; AL: 0; /CS, command, address, bank address, data I/O: MID-LEVEL; DM: stable at 0; bank activity: Extended temperature self-refresh operation; output buffer and RTT: enabled in MR*2; ODT signal: MID-LEVEL
Operating bank interleave read current	IDD7	CKE: H; External clock: on; tCK, nRC, nRAS, nRCD, nRRD, nFAW, CL: see Table 4 ; BL: 8*1, *6; AL: CL-1; /CS: H between ACT and RDA; Command, address, bank address Inputs: partially toggling according to Table 15 ; data I/O: read data bursts with different data between one burst and the next one according to Table 15 ; DM: stable at 0; bank activity: two times interleaved cycling through banks (0, 1, ...7) with different addressing, see Table 15 ; output buffer and RTT: enabled in MR*2; ODT signal: stable at 0; pattern details: see Table 15
RESET low current	IDD8	/RESET: low; External clock: off; CK and /CK: low; CKE: FLOATING; /CS, command, address, bank address, Data IO: FLOATING; ODT signal: FLOATING RESET low current reading is valid once power is stable and /RESET has been low for at least 1ms.

- Notes:
1. Burst Length: BL8 fixed by MRS: MR0 bits [1,0] = [0,0].
 2. MR: Mode Register
Output buffer enable: set MR1 bit A12 = 1 and MR1 bits [5, 1] = [0,1];
RTT_Nom enable: set MR1 bits [9, 6, 2] = [0, 1, 1]; RTT_WR enable: set MR2 bits [10, 9] = [1,0].
 3. Precharge power down mode: set MR0 bit A12= 0 for Slow Exit or MR0 bit A12 = 1 for fast exit.
 4. Auto self-refresh (ASR): set MR2 bit A6 = 0 to disable or 1 to enable feature.
 5. Self-refresh temperature range (SRT): set MR0 bit A7= 0 for normal or 1 for extended temperature range.
 6. Read burst type: nibble sequential, set MR0 bit A3 = 0

Table 6: IDD0 Measurement-Loop Pattern

CK, /CK	CKE	Sub -Loop	Cycle number	Com- mand	/CS	/RAS	/CAS	/WE	ODT	BA* ³	A11 -Am	A10	A7 -A9	A3 -A6	A0 -A2	Data* ²			
Toggling Static H	0	0	0	ACT	0	0	1	1	0	0	0	0	0	0	0	0			
			1, 2	D, D	1	0	0	0	0	0	0	0	0	0	0	0	0		
			3, 4	/D, /D	1	1	1	1	0	0	0	0	0	0	0	0	0		
			...	Repeat pattern 1...4 until nRAS - 1, truncate if necessary															
			nRAS	PRE	0	0	1	0	0	0	0	0	0	0	0	0	0		
			...	Repeat pattern 1...4 until nRC - 1, truncate if necessary															
			1 x nRC + 0	ACT	0	0	1	1	0	0	0	0	0	0	0	F	0		
			1 x nRC + 1, 2	D, D	1	0	0	0	0	0	0	0	0	0	0	F	0		
			1 x nRC + 3, 4	/D, /D	1	1	1	1	0	0	0	0	0	0	0	F	0		
			...	Repeat pattern nRC + 1,...,4 until 1*nRC + nRAS - 1, truncate if necessary															
			1 x nRC + nRAS	PRE	0	0	1	0	0	0	0	0	0	0	0	F	0		
			...	Repeat nRC + 1,...,4 until 2 x nRC - 1, truncate if necessary															
			1	2 x nRC	Repeat Sub-Loop 0, use BA= 1 instead														
			2	4 x nRC	Repeat Sub-Loop 0, use BA= 2 instead														
3	6 x nRC	Repeat Sub-Loop 0, use BA= 3 instead																	
4	8 x nRC	Repeat Sub-Loop 0, use BA= 4 instead																	
5	10 x nRC	Repeat Sub-Loop 0, use BA= 5 instead																	
6	12 x nRC	Repeat Sub-Loop 0, use BA= 6 instead																	
7	14 x nRC	Repeat Sub-Loop 0, use BA= 7 instead																	

- Notes: 1. DM must be driven low all the time. DQS, /DQS are FLOATING.
 2. DQ signals are FLOATING.
 3. BA: BA0 to BA2.
 4. Am: m means Most Significant Bit (MSB) of Row address.

Table 7: IDD1 Measurement-Loop Pattern

CK, /CK	CKE	Sub -Loop	Cycle number	Com- mand	/CS	/RAS	/CAS	/WE	ODT	A11		A7	A3	A0	Data*2			
										BA*3	-Am	-A9	-A6	-A2				
Toggling Static H		0	0	ACT	0	0	1	1	0	0	0	0	0	0	—			
			1, 2	D, D	1	0	0	0	0	0	0	0	0	0	0	—		
			3, 4	/D, /D	1	1	1	1	0	0	0	0	0	0	0	—		
			...	Repeat pattern 1...4 until nRCD - 1, truncate if necessary														
			nRCD	RD	0	1	0	1	0	0	0	0	0	0	0	0	0000000	
			...	Repeat pattern 1...4 until nRAS - 1, truncate if necessary														
			nRAS	PRE	0	0	1	0	0	0	0	0	0	0	0	0	—	
			...	Repeat pattern 1...4 until nRC - 1, truncate if necessary														
			1 x nRC + 0	ACT	0	0	1	1	0	0	0	0	0	0	F	0	—	
			1 x nRC + 1, 2	D, D	1	0	0	0	0	0	0	0	0	0	F	0	—	
			1 x nRC + 3, 4	/D, /D	1	1	1	1	0	0	0	0	0	0	F	0	—	
			...	Repeat pattern nRC + 1,..., 4 until nRC + nRCD - 1, truncate if necessary														
			1 x nRC + nRCD	RD	0	1	0	1	0	0	0	0	0	0	F	0	00110011	
			...	Repeat pattern nRC + 1,..., 4 until nRC + nRAS - 1, truncate if necessary														
			1 x nRC + nRAS	PRE	0	0	1	0	0	0	0	0	0	0	F	0	—	
			...	Repeat pattern nRC + 1,..., 4 until 2 x nRC - 1, truncate if necessary														
			1	2 x nRC	Repeat Sub-Loop 0, use BA= 1 instead													
			2	4 x nRC	Repeat Sub-Loop 0, use BA= 2 instead													
			3	6 x nRC	Repeat Sub-Loop 0, use BA= 3 instead													
			4	8 x nRC	Repeat Sub-Loop 0, use BA= 4 instead													
5	10 x nRC	Repeat Sub-Loop 0, use BA= 5 instead																
6	12 x nRC	Repeat Sub-Loop 0, use BA= 6 instead																
7	14 x nRC	Repeat Sub-Loop 0, use BA= 7 instead																

- Notes: 1. DM must be driven low all the time. DQS, /DQS are used according to read commands, otherwise FLOATING.
 2. Burst sequence driven on each DQ signal by read command. Outside burst operation, DQ signals are FLOATING.
 3. BA: BA0 to BA2.
 4. Am: m means Most Significant Bit (MSB) of Row address.

Table 8: IDD2N and IDD3N Measurement-Loop Pattern

CK, /CK	CKE	Sub -Loop	Cycle number	Com- mand	/CS	/RAS	/CAS	/WE	ODT	BA ⁺³	A11 -Am	A10	A7 -A9	A3 -A6	A0 -A2	Data ^{*2}	
Toggling Static H		0	0	D	1	0	0	0	0	0	0	0	0	0	0	0	
			1	D	1	0	0	0	0	0	0	0	0	0	0	0	
			2	/D	1	1	1	1	0	0	0	0	0	0	F	0	
			3	/D	1	1	1	1	0	0	0	0	0	0	F	0	
		1	4 to 7	Repeat Sub-Loop 0, use BA= 1 instead													
		2	8 to 11	Repeat Sub-Loop 0, use BA= 2 instead													
		3	12 to 15	Repeat Sub-Loop 0, use BA= 3 instead													
		4	16 to 19	Repeat Sub-Loop 0, use BA= 4 instead													
5	20 to 23	Repeat Sub-Loop 0, use BA= 5 instead															
6	24 to 27	Repeat Sub-Loop 0, use BA= 6 instead															
7	28 to 31	Repeat Sub-Loop 0, use BA= 7 instead															

- Notes: 1. DM must be driven low all the time. DQS, /DQS are FLOATING.
 2. DQ signals are FLOATING.
 3. BA: BA0 to BA2.
 4. Am: m means Most Significant Bit (MSB) of Row address.

Table 9: IDD2NT and IDDQ2NT Measurement-Loop Pattern

CK, /CK	CKE	Sub -Loop	Cycle number	Com- mand	/CS	/RAS	/CAS	/WE	ODT	BA ⁺³	A11 -Am	A10	A7 -A9	A3 -A6	A0 -A2	Data ^{*2}	
Toggling Static H		0	0	D	1	0	0	0	0	0	0	0	0	0	0	0	
			1	D	1	0	0	0	0	0	0	0	0	0	0	0	
			2	/D	1	1	1	1	0	0	0	0	0	0	F	0	
			3	/D	1	1	1	1	0	0	0	0	0	0	F	0	
		1	4 to 7	Repeat Sub-Loop 0, but ODT = 0 and BA= 1													
		2	8 to 11	Repeat Sub-Loop 0, but ODT = 1 and BA= 2													
		3	12 to 15	Repeat Sub-Loop 0, but ODT = 1 and BA= 3													
		4	16 to 19	Repeat Sub-Loop 0, but ODT = 0 and BA= 4													
5	20 to 23	Repeat Sub-Loop 0, but ODT = 0 and BA= 5															
6	24 to 27	Repeat Sub-Loop 0, but ODT = 1 and BA= 6															
7	28 to 31	Repeat Sub-Loop 0, but ODT = 1 and BA= 7															

- Notes: 1. DM must be driven low all the time. DQS, /DQS are FLOATING.
 2. DQ signals are FLOATING.
 3. BA: BA0 to BA2.
 4. Am: m means Most Significant Bit (MSB) of Row address.

Table 10: IDD2P0, IDD2P1, IDD2Q and IDD3P Measurement-Loop Pattern

External Clock	Name	CK	CKE	RC	RAS	RCD	RRD	CL	AL	CSB	Comm and	A0-Am	BA	DM	ODT	DQ, DQS	Burst length	Active banks	Idle banks	Data
Toggling	IDD2P0 Precharge Power-Down Current (Slow Exit)	CK (MIN) IDD	0	N/A	N/A	N/A	N/A	N/A	N/A	1	0	0	0	0	Acted, off	Acted	8	None	All	Midlevel
	IDD2P1 Precharge Power-Down Current (Fast Exit)	CK (MIN) IDD	0	N/A	N/A	N/A	N/A	N/A	N/A	1	0	0	0	0	Acted, off	Acted	8	None	All	Midlevel
	IDD2Q Precharge Quiet Standby Current	CK (MIN) IDD	1	N/A	N/A	N/A	N/A	N/A	N/A	1	0	0	0	0	Acted, off	Acted	8	None	All	Midlevel
	IDD3P Active Power-Down Current	CK (MIN) IDD	0	N/A	N/A	N/A	N/A	N/A	N/A	1	0	0	0	0	Acted, off	Acted	8	All	None	Midlevel

- Notes: 1. MR0[12] defines DLL on/off behavior during precharge power-down only; DLL on (fast exit, MR0[12] = 1) and DLL off (slow exit, MR0[12] = 0).
2. "Acted, off" means the MR bits are enabled, but the signal is LOW.

Table 11: IDD4R and Measurement-Loop Pattern

CK, /CK	CKE	Sub -Loop	Cycle number	Com- mand	/CS	/RAS	/CAS	/WE	ODT	BA ⁺³	A11 -Am	A10	A7 -A9	A3 -A6	A0 -A2	Data ^{*2}		
Toggling Static H	0	0	0	RD	0	1	0	1	0	0	0	0	0	0	0	00000000		
		1	D	1	0	0	0	0	0	0	0	0	0	0	0	—		
		2,3	/D, /D	1	1	1	1	1	0	0	0	0	0	0	0	0	—	
		4	RD	0	1	0	1	0	0	0	0	0	0	F	0	00110011		
		5	D	1	0	0	0	0	0	0	0	0	0	F	0	—		
		6,7	/D, /D	1	1	1	1	1	0	0	0	0	0	F	0	—		
		1	8 to 15	Repeat Sub-Loop 0, but BA= 1														
		2	16 to 23	Repeat Sub-Loop 0, but BA= 2														
	3	24 to 31	Repeat Sub-Loop 0, but BA= 3															
	4	32 to 39	Repeat Sub-Loop 0, but BA= 4															
	5	40 to 47	Repeat Sub-Loop 0, but BA= 5															
	6	48 to 55	Repeat Sub-Loop 0, but BA= 6															
	7	56 to 63	Repeat Sub-Loop 0, but BA= 7															

- Notes: 1. DM must be driven low all the time. DQS, /DQS are used according to read commands, otherwise FLOATING.
 2. Burst sequence driven on each DQ signal by read command. Outside burst operation, DQ signals are FLOATING.
 3. BA: BA0 to BA2.
 4. Am: m means Most Significant Bit (MSB) of Row address.

Table 12: IDD4W Measurement-Loop Pattern

CK, /CK	CKE	Sub -Loop	Cycle number	Com- mand	/CS	/RAS	/CAS	/WE	ODT	BA ⁺³	A11 -Am	A10	A7 -A9	A3 -A6	A0 -A2	Data ^{*2}		
Toggling Static H	0		0	WR	0	1	0	0	1	0	0	0	0	0	0	00000000		
			1	D	1	0	0	0	1	0	0	0	0	0	0	0	—	
			23	/D, /D	1	1	1	1	1	1	0	0	0	0	0	0	0	—
			4	RD	0	1	0	0	0	1	0	0	0	0	F	0	00110011	
			5	D	1	0	0	0	0	1	0	0	0	0	F	0	—	
			6,7	/D, /D	1	1	1	1	1	1	0	0	0	0	F	0	—	
			1	8 to 15	Repeat Sub-Loop 0, but BA= 1													
			2	16 to 23	Repeat Sub-Loop 0, but BA= 2													
		3	24 to 31	Repeat Sub-Loop 0, but BA= 3														
		4	32 to 39	Repeat Sub-Loop 0, but BA= 4														
		5	40 to 47	Repeat Sub-Loop 0, but BA= 5														
		6	48 to 55	Repeat Sub-Loop 0, but BA= 6														
		7	56 to 63	Repeat Sub-Loop 0, but BA= 7														

- Notes: 1. DM must be driven low all the time. DQS, /DQS are used according to read commands, otherwise FLOATING.
 2. Burst sequence driven on each DQ signal by read command. Outside burst operation, DQ signals are FLOATING.
 3. BA: BA0 to BA2.
 4. Am: m means Most Significant Bit (MSB) of Row address.

Table 13: IDD5B Measurement-Loop Pattern

CK, /CK	CKE	Sub -Loop	Cycle number	Com- mand	/CS	/RAS	/CAS	/WE	ODT	BA ⁺³	A11 -Am	A10	A7 -A9	A3 -A6	A0 -A2	Data ^{*2}		
Toggling Static H		0	0	REF	0	0	0	1	0	0	0	0	0	0	0	—		
			1, 2	D	1	0	0	0	0	0	0	0	0	0	0	0	—	
			3,4	/D, /D	1	1	1	1	1	0	0	0	0	0	F	0	—	
			5 to 8	Repeat cycles 1...4, but BA= 1														
			9 to 12	Repeat cycles 1...4, but BA= 2														
			13 to 16	Repeat cycles 1...4, but BA= 3														
			17 to 20	Repeat cycles 1...4, but BA= 4														
			21 to 24	Repeat cycles 1...4, but BA= 5														
			25 to 28	Repeat cycles 1...4, but BA= 6														
			29 to 32	Repeat cycles 1...4, but BA= 7														
			2	33 to nRFC - 1	Repeat Sub-Loop 1, until nRFC - 1. Truncate, if necessary													

- Notes: 1. DM must be driven low all the time. DQS, /DQS are FLOATING.
 2. DQ signals are FLOATING.
 3. BA: BA0 to BA2.
 4. Am: m means Most Significant Bit (MSB) of Row address

Table 14: IDD6, IDD6ET and IDD8 Measurement-Loop Pattern

External Clock	Name	CK	CKE	RC	RAS	RCD	RRD	CL	AL	/CS	Command	A0-Am	BA	SRT	ASR	ODT	DQ, DQS	Burst length	Active banks	Idle banks	Data
Off, CK and /CK = Low	IDD6: Self Refresh Current Normal Temperature Range 0°C to +85°C	N/A	0	N/A							Midlevel	Disabled (normal)	Disabled	Acted, Midlevel	Acted	N/A	None	All	Midlevel		
	IDD6: Self Refresh Current Extended Temperature Range Commercial-Temp: 0°C to +95°C, Industrial-Temp: -40°C to +95°C Automotive-Temp: -40°C to +105°C	N/A	0	N/A							Midlevel	Enabled (extended)	Disabled	Acted, Midlevel	Acted	N/A	None	All	Midlevel		
Midlevel	IDD8: Reset	N/A	Midlevel	N/A							Midlevel	N/A	N/A	Midlevel	Midlevel	N/A	None	All	Midlevel		

- Notes: 1. "Acted, midlevel" means the MR command is enabled, but the signal is midlevel.
 2. During a cold boot RESET (initialization), current reading is valid after power is stable and RESET has been LOW for 1ms;
 During a warm boot RESET (while operating), current reading is valid after RESET has been LOW for 200ns + tRFC.

Table 15: IDD7 Measurement-Loop Pattern

CK, /CK	CKE	Sub -Loop	Cycle number	Command	/CS	/RAS	/CAS	/WE	ODT	BA ^{*3}	A11 -Am	A10	A7 -A9	A3 -A6	A0 -A2	Data ^{*2}	
Toggling Static H		0	0	ACT	0	0	1	1	0	0	0	0	0	0	0	—	
		0	1	RDA	0	1	0	1	0	0	0	1	0	0	0	00000000	
		0	2	D	1	0	0	0	0	0	0	0	0	0	0	—	
			...	Repeat above D Command until nRRD – 1													
		1	nRRD	ACT	0	0	1	1	0	1	0	0	0	F	0	—	
		1	nRRD + 1	RDA	0	1	0	1	0	1	0	1	0	F	0	00110011	
		1	nRRD + 2	D	1	0	0	0	0	1	0	0	0	F	0	—	
			...	Repeat above D Command until 2 x nRRD – 1													
		2	2 x RRD	Repeat Sub-Loop 0, but BA= 2													
		3	3 x RRD	Repeat Sub-Loop 1, but BA= 3													
		4	4 x nRRD	D	1	0	0	0	0	3	0	0	0	F	0	—	
				Assert and repeat above D Command until nFAW – 1, if necessary													
		5	nFAW	Repeat Sub-Loop 0, but BA= 4													
		6	nFAW + nRRD	Repeat Sub-Loop 1, but BA= 5													
		7	nFAW + 2 x nRRD	Repeat Sub-Loop 0, but BA= 6													
		8	nFAW + 3 x nRRD	Repeat Sub-Loop 1, but BA= 7													
		9	nFAW + 4 x nRRD	D	1	0	0	0	0	7	0	0	0	F	0	—	
				Assert and repeat above D Command until 2 x nFAW – 1, if necessary													
		10	2 x nFAW + 0	ACT	0	0	1	1	0	0	0	0	0	F	0	—	
		10	2 x nFAW + 1	RDA	0	1	0	1	0	0	0	1	0	F	0	00110011	
	10	2 x nFAW + 2	D	1	0	0	0	0	0	0	0	0	F	0	—		
			Repeat above D Command until 2 x nFAW + nRRD – 1														
	11	2 x nFAW + nRRD	ACT	0	0	1	1	0	1	0	0	0	0	0	—		
	11	2 x nFAW + nRRD + 1	RDA	0	1	0	1	0	1	0	1	0	0	0	00000000		
	11	2 x nFAW + nRRD + 2	D	1	0	0	0	0	1	0	0	0	0	0	—		
			Repeat above D Command until 2 x nFAW + 2 x nRRD – 1														
	12	2 x nFAW + 2 x nRRD	Repeat Sub-Loop 10, but BA= 2														
	13	2 x nFAW + 3 x nRRD	Repeat Sub-Loop 11, but BA= 3														
	14	2 x nFAW + 4 x nRRD	D	1	0	0	0	0	3	0	0	0	0	0	—		
			Assert and repeat above D Command until 3 x nFAW – 1, if necessary														
	15	3 x nFAW	Repeat Sub-Loop 10, but BA= 4														
	16	3 x nFAW + nRRD	Repeat Sub-Loop 11, but BA= 5														
	17	3 x nFAW + 2 + nRRD	Repeat Sub-Loop 10, but BA= 6														
	18	3 x nFAW + 3 + nRRD	Repeat Sub-Loop 11, but BA= 7														
	19	3 x nFAW + 4 + nRRD	D	1	0	0	0	0	7	0	0	0	0	0	—		
			Assert and repeat above D Command until 4 x nFAW – 1, if necessary														

- Notes: 1. DM must be driven low all the time. DQS, /DQS are used according to read commands, otherwise FLOATING.
 2. Burst sequence driven on each DQ signal by read command. Outside burst operation, DQ signals are FLOATING.
 3. BA: BA0 to BA2.
 4. Am: m means Most Significant Bit (MSB) of Row address

2. Electrical Specifications

2.1 DC Characteristics

Table 16: DC Characteristics 1 (VDD, VDDQ = 1.283V to 1.45V)

Parameter	Symbol	Data rate (Mbps)	X8(max)	x16(max)	unit	Notes
Operating current (ACT-PRE)	IDD0	1333	43	46	mA	
		1600	45	47		
		1866	47	49		
		2133	49	51		
Operating current (ACT-RD-PRE)	IDD1	1333	57	65	mA	
		1600	59	67		
		1866	62	70		
		2133	65	73		
Precharge power-down standby current	IDD2P0	1333	7	11	mA	SlowPD Exit
		1600	7	11		
		1866	7	11		
		2133	7	11		
Precharge power-down standby current	IDD2P1	1333	10	14	mA	FastPD Exit
		1600	12	14		
		1866	14	14		
		2133	16	14		
Precharge standby current	IDD2N	1333	20	22	mA	
		1600	22	22		
		1866	24	22		
		2133	26	22		
Precharge standby ODT current	IDD2NT	1333	24	34	mA	
		1600	26	35		
		1866	28	37		
		2133	30	39		
Precharge quiet standby current	IDD2Q	1333	20	21	mA	
		1600	22	21		
		1866	24	21		
		2133	26	21		
Active power-down current (Always fast exit)	IDD3P	1333	22	21	mA	
		1600	24	21		
		1866	26	21		
		2133	28	21		
Active standby current	IDD3N	1333	26	34	mA	
		1600	28	35		
		1866	30	37		
		2133	32	39		
Operating current (Burst read operating)	IDD4R	1333	133	110	mA	
		1600	143	130		
		1866	153	150		
		2133	163	170		
Operating current (Burst write operating)	IDD4W	1333	133	122	mA	
		1600	143	141		
		1866	153	159		
		2133	163	176		
Burst refresh current	IDD5B	1333	226	151	mA	
		1600	233	152		
		1866	240	153		
		2133	247	154		
All bank interleave read current	IDD7	1333	168	174	mA	
		1600	178	197		
		1866	188	221		
		2133	198	246		
RESET low current	IDD8	1333	IDD2P+2	10	mA	
		1600		10		
		1866		10		
		2133		10		

Table 17: Self-Refresh Current (VDD, VDDQ = 1.283V to 1.45V)

Parameter	Symbol	X8(max)	X16(max)	unit	Notes
Self-refresh current normal temperature range	IDD6	10	11	mA	Max
Self-refresh current extended temperature range	IDD6ET	14	12	mA	Max@95°C

2.2 Pin Capacitance

Table 18: Pin Capacitance [DDR3L-1333 to 2133] (Operating Temperature = 25°C, VDD, VDDQ = 1.283V to 1.45V)

Parameter	Symbol	DDR3L-1333		DDR3L-1600		DDR3L-1866		DDR3L-2133		Units	Notes
		Min	Max	Min	Max	Min	Max	Min	Max		
Input/output	CIO	1.4	2.4	1.4	2.3	1.4	2.2	1.4	2.1	pF	1,2
Input capacitance, CK and /CK	CCK	0.8	1.4	0.8	1.4	0.8	1.3	0.8	1.3	pF	2
Input capacitance delta, CK and /CK	CDCK	0	0.15	0	0.15	0	0.15	0	0.15	pF	2, 3
Input/output capacitance delta, DQS and /DQS	CDDQS	0	0.15	0	0.15	0	0.15	0	0.15	pF	2, 4
Input capacitance, (control, address, command, input-only pins)	CI	0.75	1.3	0.75	1.3	0.75	1.2	0.75	1.2	pF	2, 5
Input capacitance delta, (All control input-only pins)	CDI_CTRL	-0.4	0.2	-0.4	0.2	-0.4	0.2	-0.4	0.2	pF	2, 6, 7
Input capacitance delta, (All address/command input-only pins)	CDI_ADD_CMD	-0.4	0.4	-0.4	0.4	-0.4	0.4	-0.4	0.4	pF	2, 8, 9
Input/output capacitance delta, DQ,DM, DQS, /DQS, TDQS, /TDQS	CDIO	-0.5	0.3	-0.5	0.3	-0.5	0.3	-0.5	0.3	pF	2, 10
Input/output capacitance of ZQ pin	CZQ	-	3	-	3	-	3	-	3	pF	2, 11

- Notes: 1. Although the DM, TDQS and /TDQS pins have different functions, the loading matches DQ and DQS.
2. VDD, VDDQ, VSS, VSSQ applied and all other pins floating (except the pin under test, CKE, /RESET and ODT as necessary). VDD = VDDQ = 1.5V, VBIAS=VDD/2 and on-die termination off.
3. Absolute value of CCK-C/CK.
4. Absolute value of CIO(DQS)-CIO(/DQS).
5. CI applies to ODT, /CS, CKE, A0-A14, BA0-BA2, /RAS, /CAS and /WE.
6. CDI_CTRL applies to ODT, /CS and CKE.
7. $CDI_CTRL = CI(CTRL) - 0.5 \times (CI(CLK)+CI(/CLK))$.
8. CDI_ADD_CMD applies to A0-A15, BA0-BA2, /RAS, /CAS and /WE.
9. $CDI_ADD_CMD = CI(ADD_CMD) - 0.5 \times (CI(CLK)+CI(/CLK))$.
10. $CDIO=CIO(DQ,DM) - 0.5 \times (CIO(DQS)+CIO(/DQS))$.
11. Maximum external load capacitance on ZQ pin: 5pF.

2.3 Standard SpeedBins

Table 19: DDR3L-1333 Speed Bins

Speed Bin		DDR3L-1333			
CL-tRCD-tRP		9-9-9			
Symbol	/CAS write latency	min	max	Unit	Notes
tAA		13.5 (13.125)	20	ns	10
tRCD		13.5 (13.125)	—	ns	10
tRP		13.5 (13.125)	—	ns	10
tRC		49.5 (49.125)	—	ns	10
tRAS		36	9 x tREFI	ns	5
tCK(avg)@CL=5	CWL=5	3.0	3.3	ns	1, 2, 3, 4, 5, 9
	CWL=6, 7,	Reserved	Reserved	ns	4
tCK(avg)@CL=6	CWL=5	2.5	3.3	ns	1, 2, 3, 5
	CWL=6	Reserved	Reserved	ns	1, 2, 3, 4, 5
	CWL=7,	Reserved	Reserved	ns	4
tCK(avg)@CL=7	CWL=5	Reserved	Reserved	ns	4
	CWL=6	1.875	< 2.5	ns	1, 2, 3, 4, 5
	CWL=7	Reserved	Reserved	ns	1, 2, 3, 4, 5
tCK(avg)@CL=8	CWL=5	Reserved	Reserved	ns	4
	CWL=6	1.875	<2.5	ns	1, 2, 3, 5
	CWL=7	Reserved	Reserved	ns	1, 2, 3, 4, 5
tCK(avg)@CL=9	CWL=5, 6	Reserved	Reserved	ns	4
	CWL=7	1.5	<1.875	ns	1, 2, 3, 4, 5
tCK(avg)@CL=10	CWL=5, 6	Reserved	Reserved	ns	4
	CWL=7	1.5	<1.875	ns	1, 2, 3, 5
Supported CL settings			5, 6, (7), 8, (9), 10,	nCK	
Supported CWL settings			5, 6, 7,	nCK	

Table 20: DDR3L-1600 Speed Bins

Speed Bin		DDR3L-1600			
CL-tRCD-tRP		11-11-11			
Symbol	/CAS write latency	min	max	Unit	Notes
tAA		13.75 (13.125)	20	ns	11
tRCD		13.75 (13.125)	—	ns	11
tRP		13.75 (13.125)	—	ns	11
tRC		48.75 (48.125)	—	ns	11
tRAS		35	9 x tREFI	ns	9
tCK(avg)@CL=5	CWL=5	3.0	3.3	ns	1, 2, 3, 4, 6, 9
	CWL=6, 7, 8	Reserved	Reserved	ns	4
tCK(avg)@CL=6	CWL=5	2.5	3.3	ns	1, 2, 3, 6
	CWL=6	Reserved	Reserved	ns	1, 2, 3, 4, 6
	CWL=7, 8	Reserved	Reserved	ns	4
tCK(avg)@CL=7	CWL=5	Reserved	Reserved	ns	4
	CWL=6	1.875	< 2.5	ns	1, 2, 3, 4, 6
	CWL=7	Reserved	Reserved	ns	1, 2, 3, 4, 6
tCK(avg)@CL=8	CWL=8	Reserved	Reserved	ns	4
	CWL=5	Reserved	Reserved	ns	4
	CWL=6	1.875	<2.5	ns	1, 2, 3, 6
tCK(avg)@CL=8	CWL=7	Reserved	Reserved	ns	1, 2, 3, 4, 6
	CWL=8	Reserved	Reserved	ns	1, 2, 3, 4
	CWL=5, 6	Reserved	Reserved	ns	4
tCK(avg)@CL=9	CWL=7	1.5	<1.875	ns	1, 2, 3, 4, 6
	CWL=8	Reserved	Reserved	ns	1, 2, 3, 4
tCK(avg)@CL=10	CWL=5, 6	Reserved	Reserved	ns	4
	CWL=7	1.5	<1.875	ns	1, 2, 3, 6
	CWL=8	Reserved	Reserved	ns	1, 2, 3, 4
tCK(avg)@CL=11	CWL=5, 6, 7	Reserved	Reserved	ns	4
	CWL=8	1.25	<1.5	ns	1, 2, 3
Supported CL settings		5, 6, (7), 8, (9), 10, 11		nCK	
Supported CWL settings		5, 6, 7, 8		nCK	

Table 21: DDR3L-1866 Speed Bins

Speed Bin		DDR3L-1866				
CL-tRCD-tRP		13-13-13				
Symbol	/CAS write latency	min	max	Unit	Notes	
tAA		13.91 (13.125)	20	ns		
tRCD		13.91 (13.125)	—	ns		
tRP		13.91 (13.125)	—	ns		
tRC		47.91 (47.125)	—	ns		
tRAS		34	9 x tREFI	ns		
tCK(avg)@CL=5	CWL=5	Reserved	Reserved	ns	1, 2, 3, 4, 7	
	CWL=6, 7, 8, 9	Reserved	Reserved	ns	4,	
tCK(avg)@CL=6	CWL=5	2.5	3.3	ns	1, 2, 3, 7	
	CWL=6	Reserved	Reserved	ns	1, 2, 3, 4, 7	
	CWL=7, 8, 9	Reserved	Reserved	ns	4	
tCK(avg)@CL=7	CWL=5	Reserved	Reserved	ns	4	
	CWL=6	1.875	< 2.5	ns	1, 2, 3, 4, 7	
	CWL=7, 8, 9	Reserved	Reserved	ns	4	
tCK(avg)@CL=8	CWL=5	Reserved	Reserved	ns	4	
	CWL=6	1.875	< 2.5	ns	1, 2, 3, 7	
	CWL=7	Reserved	Reserved	ns	1, 2, 3, 4, 7	
	CWL=8,9	Reserved	Reserved	ns	4	
tCK(avg)@CL=9	CWL=5, 6	Reserved	Reserved	ns	4	
	CWL=7	1.5	< 1.875	ns	1, 2, 3, 4, 7	
	CWL=8	Reserved	Reserved	ns	4	
tCK(avg)@CL=10	CWL=9	Reserved	Reserved	ns	1, 2, 3, 4, 7	
	CWL=5, 6	Reserved	Reserved	ns	4	
	CWL=7	1.5	< 1.875	ns	1, 2, 3, 7	
tCK(avg)@CL=11	CWL=8	Reserved	Reserved	ns	1, 2, 3, 4, 7	
	CWL=5, 6, 7	Reserved	Reserved	ns	4	
	CWL=8	1.25	< 1.5	ns	1, 2, 3, 4, 7	
tCK(avg)@CL=12	CWL=9	Reserved	Reserved	ns	1, 2, 3, 4	
	CWL=5, 6, 7, 8	Reserved	Reserved	ns	4	
tCK(avg)@CL=13	CWL=9	Reserved	Reserved	ns	1, 2, 3, 4	
	CWL=5, 6, 7, 8	Reserved	Reserved	ns	4	
		1.07	< 1.25	ns	1, 2, 3	
Supported CL settings		6, 8, 10, 13, (7), (9), (11)			nCK	
Supported CWL settings		5, 6, 7, 8, 9			nCK	

Table 22: DDR3L-2133 Speed Bins

Speed Bin		DDR3L-2133			
CL-tRCD-tRP		14-14-14			
Symbol	/CAS write latency	min	max	Unit	Notes
tAA		13.09	20	ns	
tRCD		13.09	—	ns	
tRP		13.09	—	ns	
tRC		46.09	—	ns	
tRAS		33.0	9 x tREFI	ns	
tCK(avg)@CL=5	CWL=6,7, 8, 9,10	Reserved	Reserved	ns	1, 2, 3, 4, 8
	CWL=5	2.5	3.3	ns	1, 2, 3, 8
tCK(avg)@CL=6	CWL=6	Reserved	Reserved	ns	1, 2, 3, 4, 8
	CWL=7, 8, 9,10	Reserved	Reserved	ns	4
	CWL=5	Reserved	Reserved	ns	4
tCK(avg)@CL=7	CWL=6	1.875	< 2.5	ns	1, 2, 3, 8
	CWL=7	Reserved	Reserved	ns	1, 2, 3, 4, 8
	CWL=8, 9,10	Reserved	Reserved	ns	4
	CWL=5	Reserved	Reserved	ns	4
tCK(avg)@CL=8	CWL=6	1.875	< 2.5	ns	1, 2, 3, 8
	CWL=7	Reserved	Reserved	ns	1, 2, 3, 4, 8
	CWL=8, 9,10	Reserved	Reserved	ns	4
	CWL=5, 6	Reserved	Reserved	ns	4
tCK(avg)@CL=9	CWL=7	1.5	< 1.875	ns	1, 2, 3, 8
	CWL=8	Reserved	Reserved	ns	1, 2, 3, 4, 8
	CWL=9,10	Reserved	Reserved	ns	4
	CWL=5, 6	Reserved	Reserved	ns	4
tCK(avg)@CL=10	CWL=7	1.5	< 1.875	ns	1, 2, 3, 8
	CWL=8, 9	Reserved	Reserved	ns	1, 2, 3, 4, 8
	CWL=10	Reserved	Reserved	ns	4
	CWL=5, 6, 7	Reserved	Reserved	ns	4
tCK(avg)@CL=11	CWL=8	1.25	< 1.5	ns	1, 2, 3, 8
	CWL=9	Reserved	Reserved	ns	1, 2, 3, 4, 8
	CWL=10	Reserved	Reserved	ns	1, 2, 3, 4, 8
	CWL=5, 6, 7, 8	Reserved	Reserved	ns	4
tCK(avg)@CL=12	CWL=9	Reserved	Reserved	ns	1, 2, 3, 4, 8
	CWL=10	Reserved	Reserved	ns	1, 2, 3, 4
	CWL=5, 6, 7, 8	Reserved	Reserved	ns	4
tCK(avg)@CL=13	CWL=9	1.07	< 1.25	ns	1, 2, 3, 8
	CWL=10	Reserved	Reserved	ns	1, 2, 3, 4
	CWL=5, 6, 7, 8,9	Reserved	Reserved	ns	4
tCK(avg)@CL=14	CWL=10	0.938	< 1.07	ns	1, 2, 3, 5
Supported CL settings		5,6,7,8,9,10,11,12,13,14		nCK	
Supported CWL settings		5, 6, 7, 8, 9,10		nCK	

Electrical Characteristics & AC Timing for DDR3L-1600 to DDR3L-2133 (Cont'd)

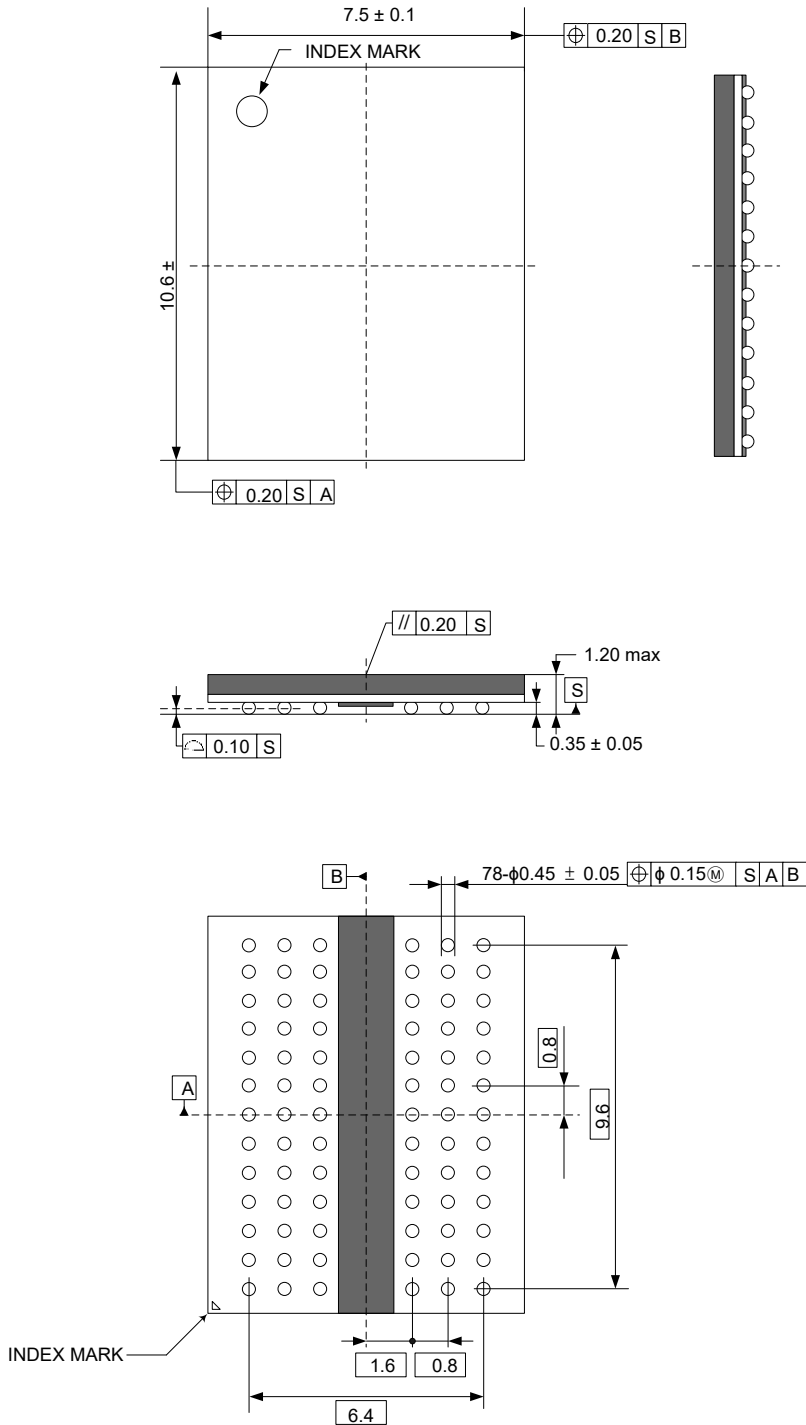
Standard Speed Bins (Cont'd)

- NOTE 1.** The CL setting and CWL setting result in tCK(AVG).MIN and tCK(AVG).MAX requirements. When making a selection of tCK(AVG), both need to be fulfilled: Requirements from CL setting as well as requirements from CWL setting.
- NOTE 2.** tCK(AVG).MIN limits: Since CAS Latency is not purely analog - data and strobe output are synchronized by the DLL - all possible intermediate frequencies may not be guaranteed. An application should use the next smaller JEDEC standard tCK(AVG) value (3.0, 2.5, 1.875, 1.5, 1.25, 1.07, or 0.938 ns) when calculating $CL [nCK] = tAA [ns] / tCK(AVG) [ns]$, rounding up to the next 'Supported CL', where tCK(AVG) = 3.0 ns should only be used for CL = 5 calculation.
- NOTE 3.** tCK(AVG).MAX limits: Calculate $tCK(AVG) = tAA.MAX / CL SELECTED$ and round the resulting tCK(AVG) down to the next valid speed bin (i.e. 3.3ns or 2.5ns or 1.875 ns or 1.5 ns or 1.25 ns or 1.07 ns or 0.938 ns). This result is tCK(AVG).MAX corresponding to CL SELECTED.
- NOTE 4.** 'Reserved' settings are not allowed. User must program a different value.
- NOTE 5.** Any DDR3L-1333 speed bin also supports functional operation at lower frequencies as shown in the table which are not subject to Production Tests but verified by Design/Characterization.
- NOTE 6.** Any DDR3L-1600 speed bin also supports functional operation at lower frequencies as shown in the table which are not subject to Production Tests but verified by Design/Characterization.
- NOTE 7.** Any DDR3L-1866 speed bin also supports functional operation at lower frequencies as shown in the table which are not subject to Production Tests but verified by Design/Characterization.
- NOTE 8.** Any DDR3L-2133 speed bin also supports functional operation at lower frequencies as shown in the table which are not subject to Production Tests but verified by Design/Characterization.
- NOTE 9.** For CL5 support, refer to DIMM SPD information. DRAM is required to support CL5. CL5 is not mandatory in SPD coding.
- NOTE 10.** tREFI depends on operating commercial temperature and industrial temperature.
- NOTE 11.** For devices supporting optional down binning to CL=11 and CL=9, tAA/tRCD/tRPmin must be 13.125ns. SPD setting must be programmed to match.

3. Package Drawing

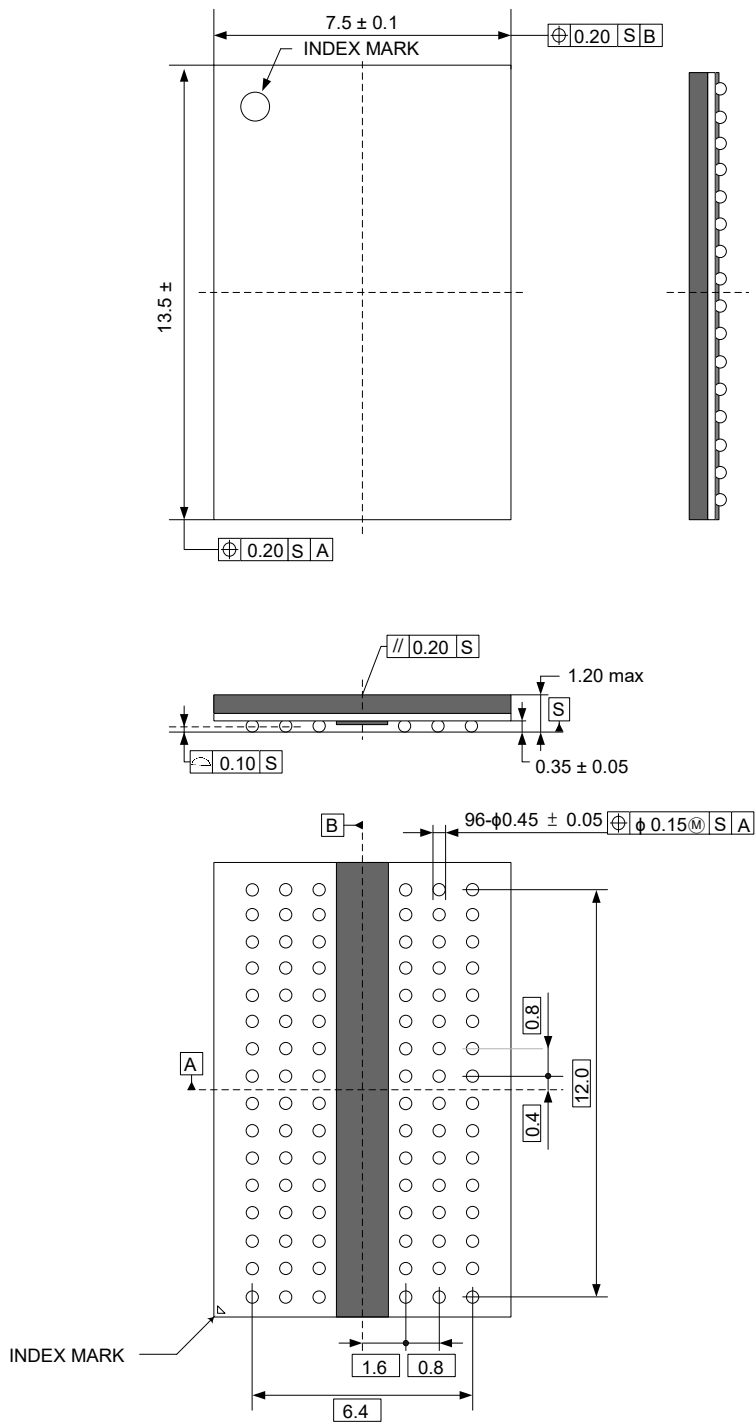
3.1 78-ball FBGA

Solder ball: Lead free (Sn-Ag-Cu)



3.2 96-ball FBGA
 Solder ball: Lead free (Sn-Ag-Cu)

Unit: mm



① **PRECAUTION AGAINST ESD FOR MOS DEVICES**

Exposing the MOS devices to a strong electric field can cause destruction of the gate oxide and ultimately degrade the MOS devices operation. Steps must be taken to stop generation of static electricity as much as possible, and quickly dissipate it, when once it has occurred. Environmental control must be adequate. When it is dry, humidifier should be used. It is recommended to avoid using insulators that easily build static electricity. MOS devices must be stored and transported in an anti-static container, static shielding bag or conductive material. All test and measurement tools including work bench and floor should be grounded. The operator should be grounded using wrist strap. MOS devices must not be touched with bare hands. Similar precautions need to be taken for PW boards with semiconductor MOS devices on it.

② **HANDLING OF UNUSED INPUT PINS FOR CMOS DEVICES**

No connection for CMOS devices input pins can be a cause of malfunction. If no connection is provided to the input pins, it is possible that an internal input level may be generated due to noise, etc., hence causing malfunction. CMOS devices behave differently than Bipolar or NMOS devices. Input levels of CMOS devices must be fixed high or low by using a pull-up or pull-down circuitry. Each unused pin should be connected to VDD or GND with a resistor, if it is considered to have a possibility of being an output pin. The unused pins must be handled in accordance with the related specifications.

③ **STATUS BEFORE INITIALIZATION OF MOS DEVICES**

Power-on does not necessarily define initial status of MOS devices. Production process of MOS does not define the initial operation status of the device. Immediately after the power source is turned ON, the MOS devices with reset function have not yet been initialized. Hence, power-on does not guarantee output pin levels, I/O settings or contents of registers. MOS devices are not initialized until the reset signal is received. Reset operation must be executed immediately after power-on for MOS devices having reset function.

No part of this document may be copied or reproduced in any form or by any means without the prior written consent of Kingston Technology Company, Inc.

Kingston Technology Company, Inc. does not assume any liability for infringement of any intellectual property rights (including but not limited to patents, copyrights, and circuit layout licenses) of Kingston Technology Company, Inc. or third parties by or arising from the use of the products or information listed in this document. No license, express, implied or otherwise, is granted under any patents, copyrights or other intellectual property rights of Kingston Technology Company, Inc. or others.

Descriptions of circuits, software and other related information in this document are provided for illustrative purposes in semiconductor product operation and application examples. The incorporation of these circuits, software and information in the design of the customer's equipment shall be done under the full responsibility of the customer. Kingston Technology Company, Inc. assumes no responsibility for any losses incurred by customers or third parties arising from the use of these circuits, software and information.

[Product applications]

Be aware that this product is for use in typical electronic equipment for general-purpose applications. Kingston Technology Company, Inc. makes every attempt to ensure that its products are of high quality and reliability. However, this product is not intended for use in the product in aerospace, aeronautics, nuclear power, combustion control, transportation, traffic, safety equipment, medical equipment for life support, or other such application in which especially high quality and reliability is demanded or where its failure or malfunction may directly threaten human life or cause risk of bodily injury. Customers are instructed to contact Kingston Technology Company's sales office before using this product for such applications.

[Product usage]

Design your application so that the product is used within the ranges and conditions guaranteed by Kingston Technology Company, Inc., including the maximum ratings, operating supply voltage range, heat radiation characteristics, installation conditions and other related characteristics. Kingston Technology Company, Inc. bears no responsibility for failure or damage when the product is used beyond the guaranteed ranges and conditions. Even within the guaranteed ranges and conditions, consider normally foreseeable failure rates or failure modes in semiconductor devices and employ systemic measures such as fail-safes, so that the equipment incorporating Kingston Technology Company, Inc. products does not cause bodily injury, fire or other consequential damage due to the operation of the Kingston Technology Company, Inc. product.

[Usage environment]

Usage in environments with special characteristics as listed below was not considered in the design. Accordingly, our company assumes no responsibility for loss of a customer or a third party when used in environments with the special characteristics listed below.

Example:

- 1) Usage in liquids, including water, oils, chemicals and organic solvents.
- 2) Usage in exposure to direct sunlight or the outdoors, or in dusty places.
- 3) Usage involving exposure to significant amounts of corrosive gas, including sea air, CL2, H2S, NH3, SO2, and NOx.
- 4) Usage in environments with static electricity, or strong electromagnetic waves or radiation.
- 5) Usage in places where dew forms.
- 6) Usage in environments with mechanical vibration, impact, or stress.
- 7) Usage near heating elements, igniters, or flammable items.

If you export the products or technology described in this document that are controlled by the Foreign Exchange and Foreign Trade Law of Taiwan, you must follow the necessary procedures in accordance with the relevant laws and regulations of Taiwan. Also, if you export products/technology controlled by U.S. export control regulations, or another country's export control laws or regulations, you must follow the necessary procedures in accordance with such laws or regulations.

If these products/technology are sold, leased, or transferred to a third party, or a third party is granted license to use these products, that third party must be made aware that they are responsible for compliance with the relevant laws and regulations.