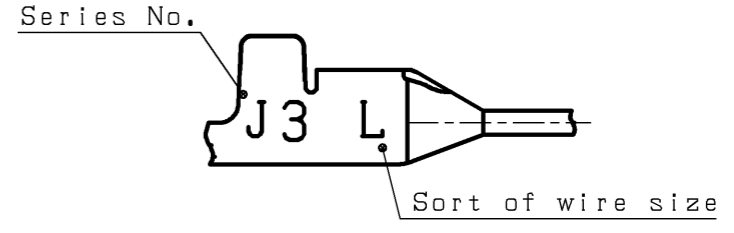
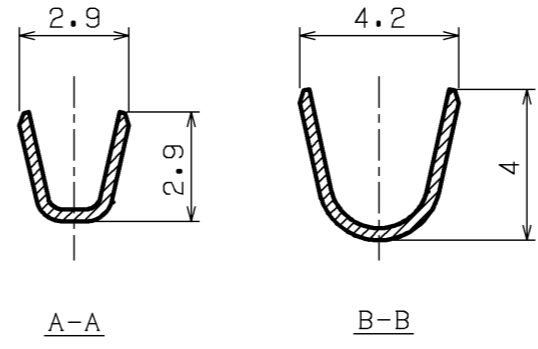
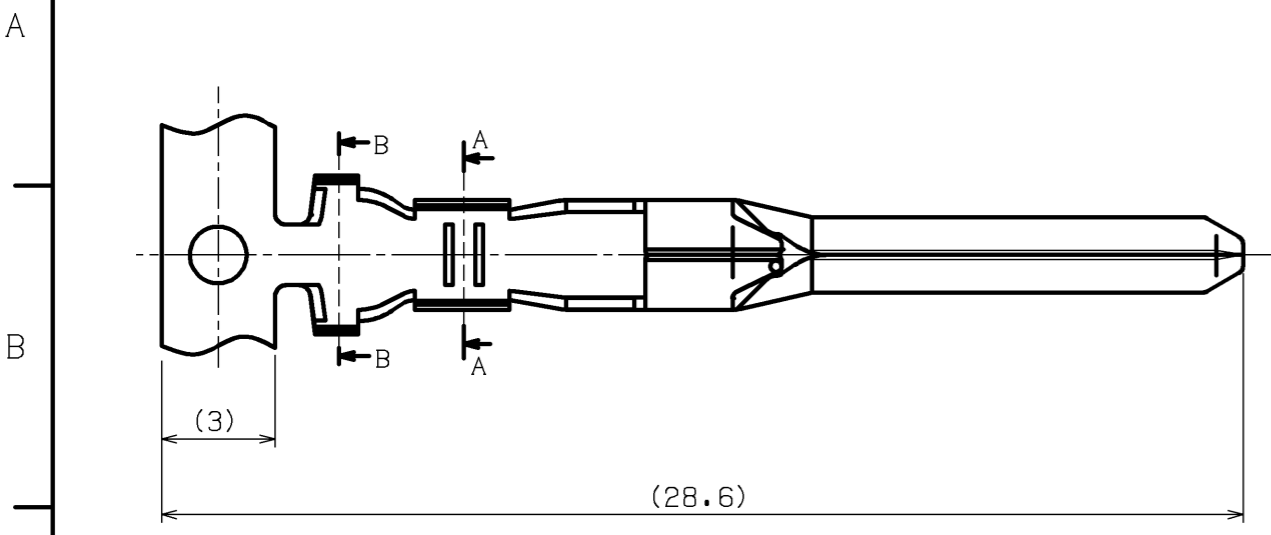


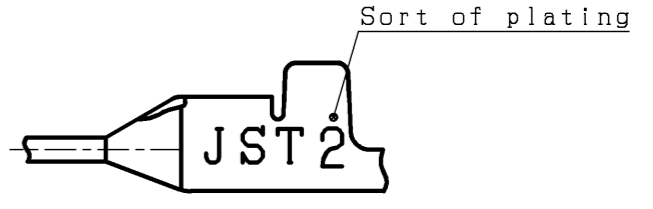
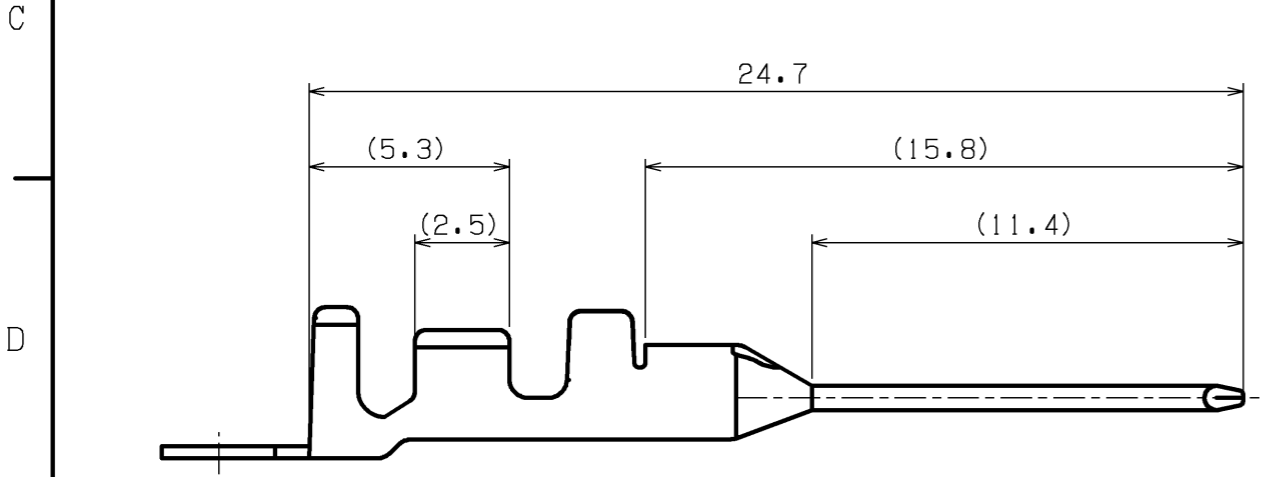
1 2 3 4 5 6 7 8

REV.	DESCRIPTION	DATE	DESIGNED
△			

NOTE  
 1. Unless otherwise specified,  
 tolerances are ±0.3



Shape of crimping barrel  
 (Marking "L": AWG#20~#16)



Type of marking

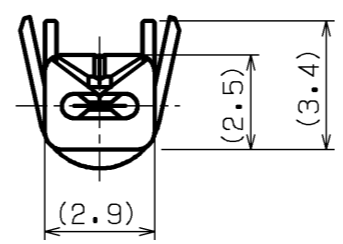


Table of part number

Sort of wire size		Sort of plating		Part No.
Marking	Contents	Marking	Contents	
L	AWG#20~#16	2	0.38μm selective gold plated on mating part	SF3M-41GF-M2.0N

TAB CONTACT		COPPER ALLOY		NICKEL-UNDERPLATED SELECTIVE GOLD-PLATED		APPLICABLE WIRE (#20~#16)	
No.	PART NAME	MATERIAL		SURFACE FINISH		REMARKS	
SIZE	UNIT	SCALE	PROJECTION	DATE	CUSTOMER		
A3	METRIC	5:1	☉	MAR.14.2001			
APPROVED	CHECKED	DESIGNED	DRAWN	SERIES NAME			
A.TOMITA		Y.YATABE		JFA J300 TAB CONTACT (SELECTIVE GOLD-PLATED, #20~#16)			
				PART No.		REFER TABLE OF PART NUMBER	
				DRAWING No.		KRD-26543	RO
<b>JST</b> J.S.T.MFG.CO., LTD.							

THIS DRAWING CONTAINS INFORMATION THAT IS PROPRIETARY TO J.S.T.  
 AND SHOULD NOT BE USED WITHOUT WRITTEN PERMISSION.

EC4109-2