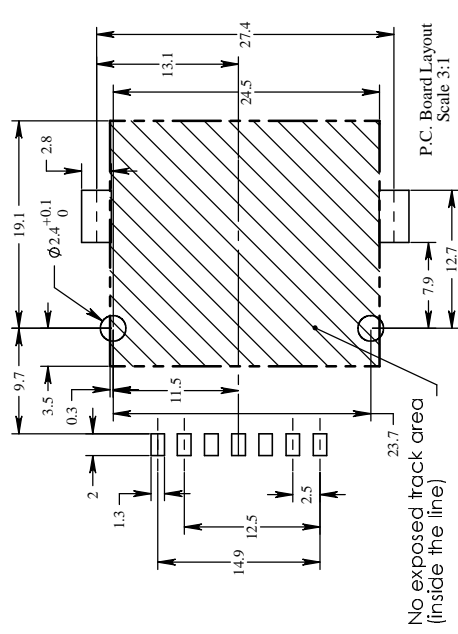
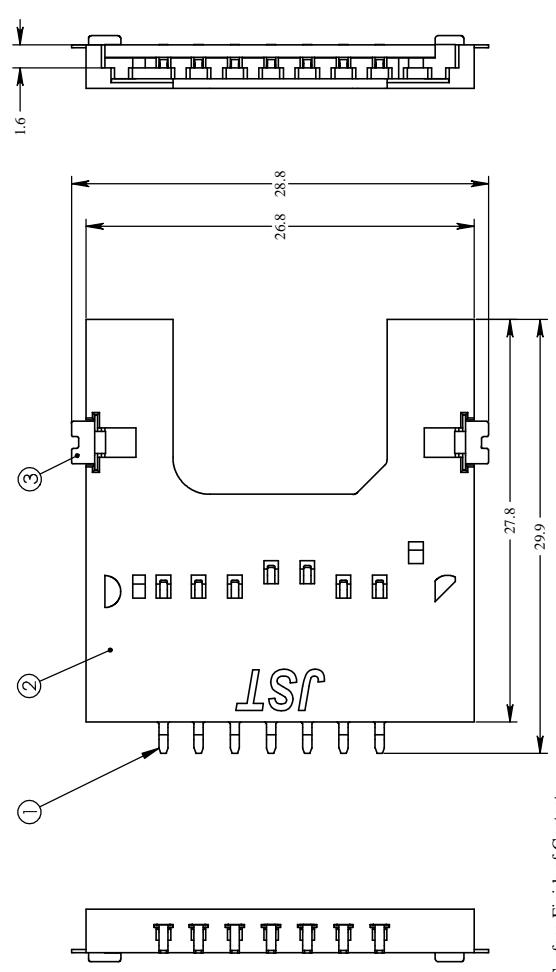
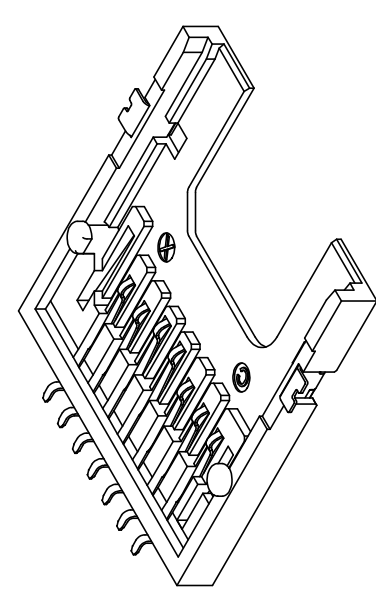
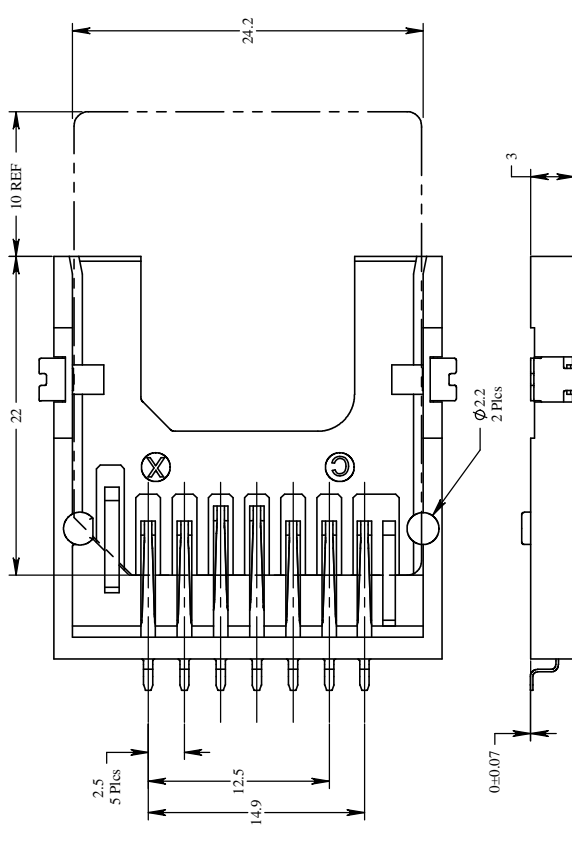


1 2 3 4 5 6 7 8 9 10 11 12

REV.	DESCRIPTION	DATE	DRAWN BY
1	Added exposed area (ECCNH003)	10-17-01	AKI



Note:

1. Surface Finish of Contact:
Mating Part - Gold-plated with Nickel-underplating
Solder Tail - Tin/Lead alloy-plated with Nickel-underplating
2. Surface Finish of Reinforcements:
Tin/Lead alloy-plated with Nickel-underplating
3. Unless otherwise specified tolerances
0<L<3: ±0.15mm, 3<L: ±0.2mm

Reinforcement	Brass	-	-
Housing	LCP	-	-
Contact	Phos-Bronze	-	-
No.	PART NAME	MATERIAL	SURFACE FINISH
C	METRIC	4:1	9/13/99
APPROVED	CHECKED	DESIGNED	DRAWN
BBM	MJM	AKI	AKI
3-16-01	3-16-01	3-16-01	3501
JST JUST CORPORATION HEAD			
CLIENT	9/13/99	SERIES	MMC Series
		NAME	MMCH-75-4/R
		PART	MMCH-75-4/R
		DRAWING	KRD-H001
		NO.	
		REV.	RI