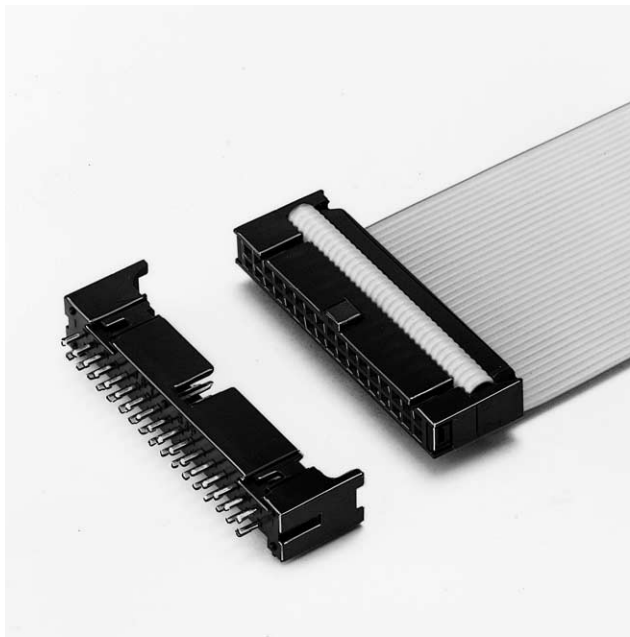
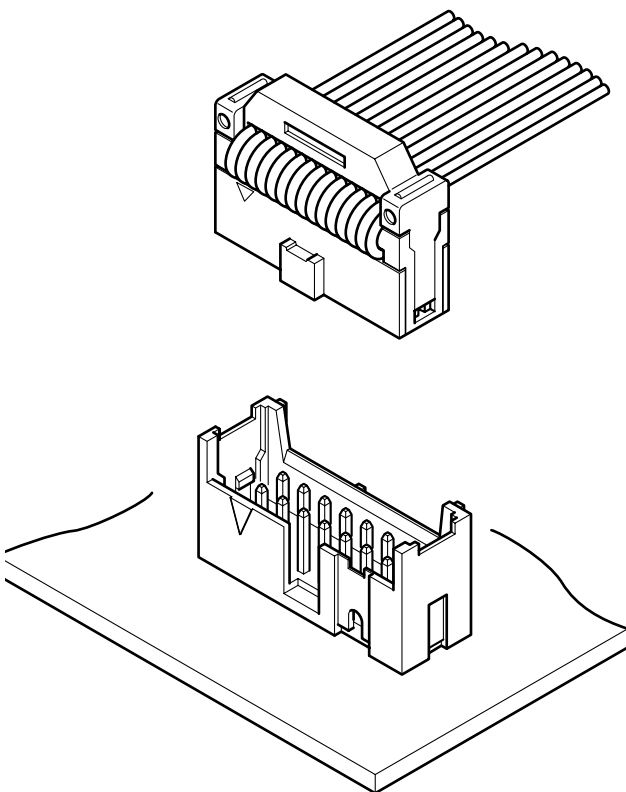


# RK HEADER

Shrouded headers



**This low profile box header is best suited for high-density, low-cost internal connections in office automation equipment.**



## Features

### • Interchangeability

This header was designed to mate with the receptacle side of connectors conforming to MIL-C-83503, including JST's RA connector.

### • Low cost

The posts are selectively gold-plated at their mating end and tin-plated on their solder side. This reduces costs without hampering the connector's effectiveness. (Headers with completely tin-plated contacts are also available.)

### • Low-profile

The header has a low profile with a mounting height of 19.0mm (.748") when a plug with a strain relief is used. This height is approximately 10.0mm (.394") lower than the mounting height of the conventional MIL-C-83503 header and thus maximizes the efficient use of space in electronic equipment.

### • No contamination by flux or cleaning fluids

Sufficient stand-off area is provided to prevent flux and cleaning fluid contamination.

## Specifications

- Current rating: 1.0A AC, DC
- Voltage rating: 300V AC, DC
- Temperature range: (including temperature rise in applying electrical current)
  - 55°C to +125°C (gold-plated)
  - 55°C to +105°C (tin-plated)
- Applicable PC board thickness: 1.6mm (.063")
- \* Contact JST if Lead-Free product is required.
- \* Refer to "General Instruction and Notice when using Terminals and Connectors" at the end of this catalog.
- \* Contact JST for details.

## Standards

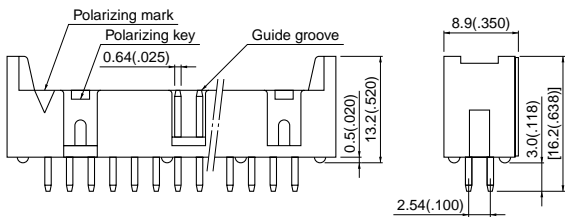
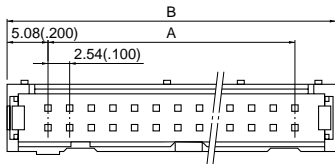
RA Recognized E60389

CS Certified LR20812

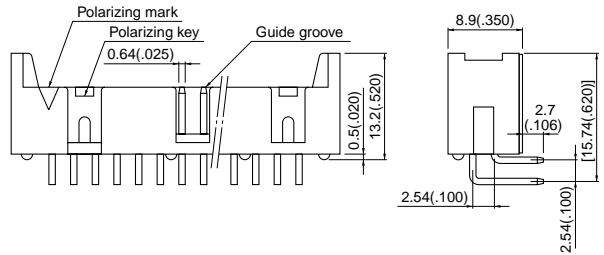
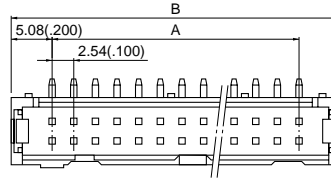
# RK HEADER

## Connector

### Top entry type



### Side entry type



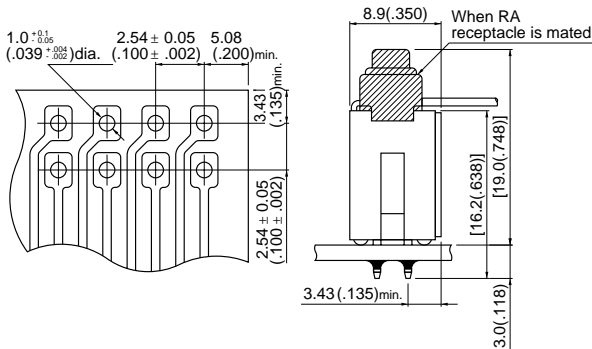
Cir- cuits	Model No.				Guide groove	Polariz- ing key	Dimensions mm(in.)		Q'ty / box
	Gold-plated header		Tin-plated header				A	B	
	Top entry type	Side entry type	Top entry type	Side entry type					
14	RK-H141TD-0130	RK-H141SD-0110	RK-H141TD-0190	RK-H141SD-0190	1	1	15.24(.600)	25.40(1.000)	100
34	RK-H341TD-0130	RK-H341SD-0110	RK-H341TD-0190	RK-H341SD-0190	1	2	40.64(1.600)	50.80(2.000)	50
40	RK-H401TD-0130	RK-H401SD-0110	RK-H401TD-0190	RK-H401SD-0190	1	2	48.26(1.900)	58.42(2.300)	50

### Material and Finish

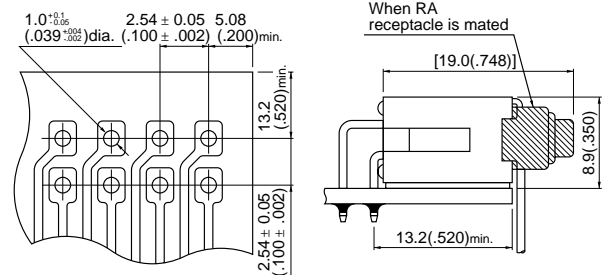
Post: Brass  
 - Nickel-undercoated, selective gold-plated  
 - Copper-undercoated, tin/lead-plated  
 Housing: PBT, UL94-0, black

## PC board layout (viewed from soldering side) and Assembly layout

### Top entry type



### Side entry type



Note: 1. Tolerances are non-cumulative:  $\pm 0.05\text{mm}(\pm .002")$  for all centers.

2. Hole dimensions differ according to the kind of PC board and piercing method. The dimensions above should serve as a guideline.

Contact JST for details.