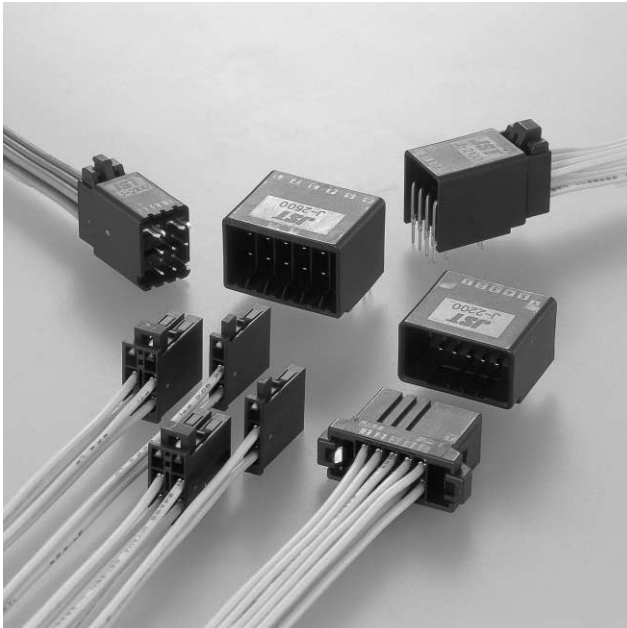
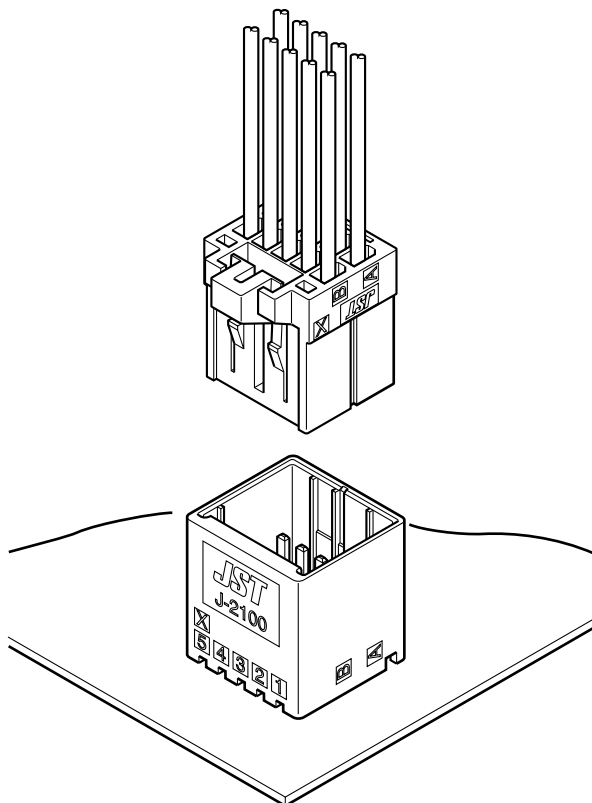


JFA CONNECTOR J2000 SERIES

Disconnectable Crimp style connectors



2.5mm (.098") pitch double-row connector for miniaturization of electronic equipment. Both center locking and side locking can be properly used according to a use. Receptacle contacts are designed to be common with all JFA connector J2000 series.



Features

• Double-spring construction

Double-spring construction realizes stable contact performance. In addition, the length of contact is shortened to miniaturize connector.

• 2 kinds of locking method

"Center locking" realizes high-density mounting on PC board, and "side locking" utilizes height direction of PC board.

• Housing lance

Housing lance assures stable assembly and smooth insertion even in thin wire.

• Clear "click feeling"

Clear feeling of click when mating connector can be realized secure engagement.

Specifications

- Current rating: 4.3A max. AC, DC (6 circuits/AWG #20)
- Voltage rating: 250V AC, DC
- Temperature range: -55°C to +105°C
(including temperature rise in applying electrical current)
- Withstanding voltage: 1,500V AC/minute
- Applicable wire: AWG #28 to #18 (0.08 to 0.75mm²)
- Applicable PC board thickness: 1.6mm (.063")
- * Contact JST if Lead-Free product is required.
- * Refer to "General Instruction and Notice when using Terminals and Connectors" at the end of this catalog.
- * Contact JST for details.

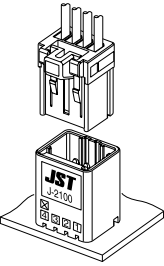
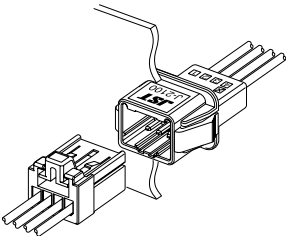
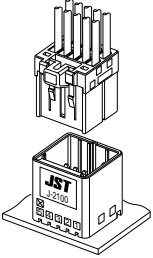
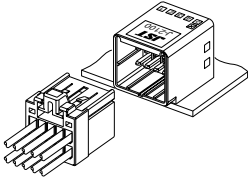
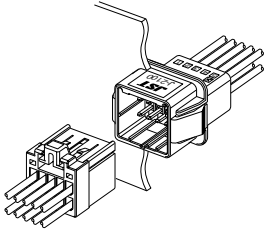
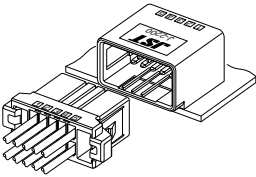
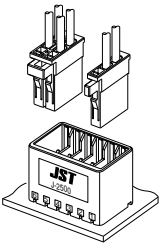
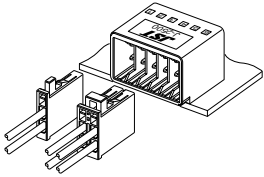
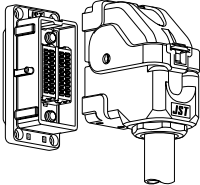
Standards

Recognized E60389

JFA CONNECTOR J2000 SERIES

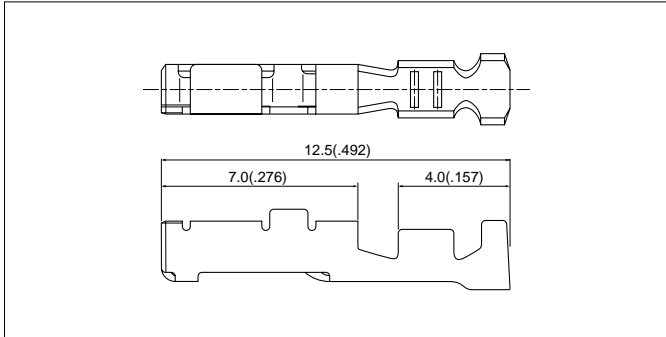
List of J2000 series products

2.5mm (.098") pitch/ Voltage rating 250V AC, DC

| Type | | Wire to Board | | Wire to Wire |
|---------------------|---------------------------------|-------------------------------------------------------------------------------------|--------------------------------------------------------------------------------------|---------------------------------------------------------------------------------------|
| | | Top entry type | Side entry type | Panel mounting type |
| Center locking type | J2100 Single-row type |  | |  |
| | Circuits | 3, 4 | Under development | 4 |
| Center locking type | J2100 Double-row type |  |  |  |
| | Circuits | 6, 8, 10, 12, 16, 20 | 6, 8, 10, 12, 16, 20 | 6, 10, 12, 16, 20 |
| Side locking type | J2200 Double-row type | |  | |
| Circuits | Under development | | 10 | Under development |
| Module type | J2500 |  |  | |
| Circuits | 12, 20 | 12, 20 | 12, 20 | Under development |
| Metal shell type | J2900 | | |  |
| Circuits | | | | 40 |

JFA CONNECTOR J2000 SERIES

Receptacle contact

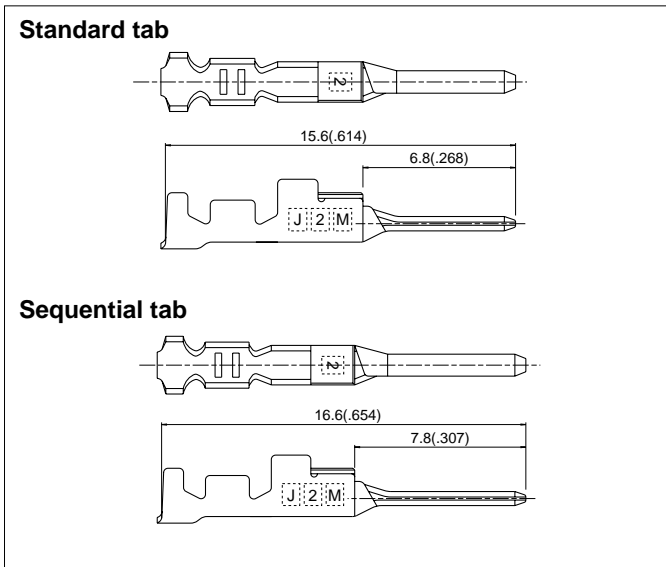


| Strip form model No. | Applicable wire | | | Insulation O.D. mm(in.) | Q'ty /reel |
|------------------------|-----------------|-----------------|----------|----------------------------|------------|
| | Nominal | mm ² | AWG# | | |
| SJ2F-002GF-P1.0 | S | 0.08 to 0.20 | 28 to 24 | 0.8 to 1.5(.031 to .059) | 6,000 |
| SJ2F-01GF-P1.0 | M | 0.20 to 0.52 | 24 to 20 | 1.1 to 1.6(.043 to .063) | 6,000 |
| SJ2F-21GF-P1.0 | L | 0.30 to 0.75 | – | 1.3 to 1.9(.051 to .075) | 5,000 |

Material and Finish

Copper alloy (superior conductivity), nickel-undercoated, selective gold-plated

Tab contact

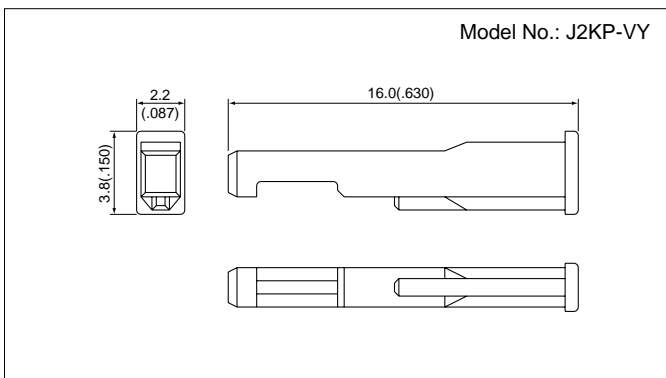


| Strip form model No. | Applicable wire | | | Insulation O.D. mm(in.) | Q'ty /reel |
|-------------------------|-----------------|-----------------|----------|----------------------------|------------|
| | Nominal | mm ² | AWG# | | |
| SJ2M-002GF-M1.0N | S | 0.08 to 0.20 | 28 to 24 | 0.8 to 1.5(.031 to .059) | 5,500 |
| SJ2M-01GF-M1.0N | M | 0.20 to 0.52 | 24 to 20 | 1.1 to 1.6(.043 to .063) | 5,500 |
| SJ2M-21GF-M1.0N | L | 0.30 to 0.75 | – | 1.3 to 1.9(.051 to .075) | 5,000 |
| SJ2M-01GF-M1.0S | Sequential | 0.20 to 0.52 | 24 to 20 | 1.1 to 1.6(.043 to .063) | 5,500 |

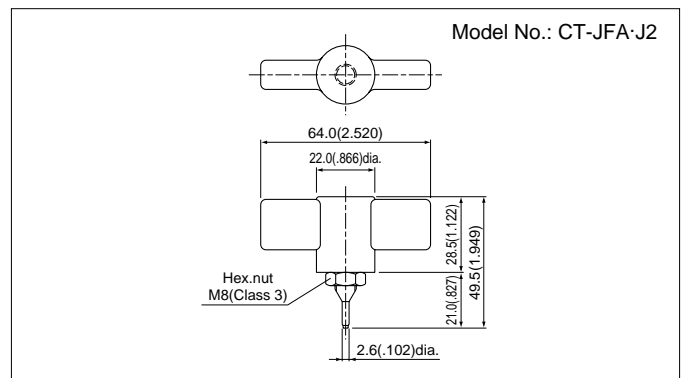
Material and Finish

Copper alloy (superior conductivity), nickel-undercoated, selective gold-plated

Keying plug

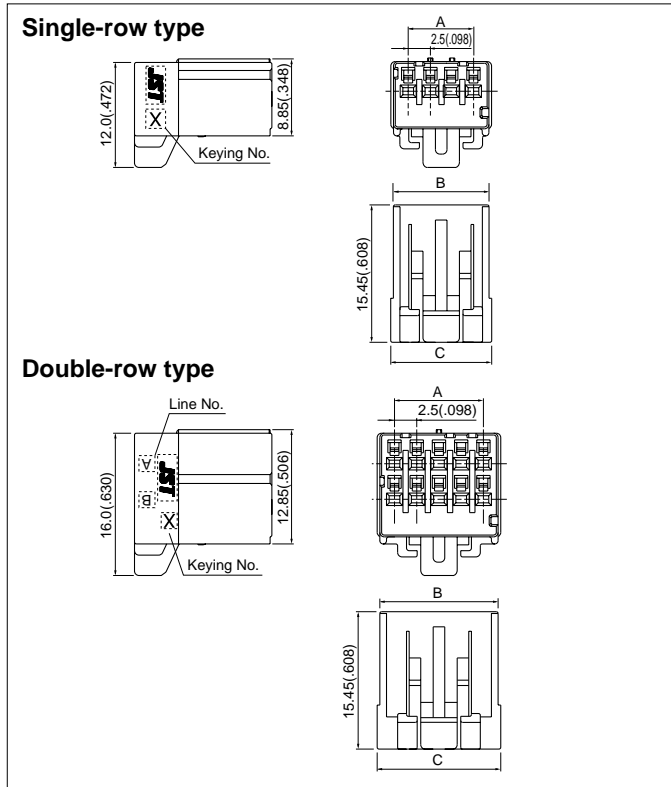


Tab contact cutting tool



JFA CONNECTOR/J2100

Receptacle housing (Center locking type)



Single-row type

| Circuits | Keying | Model No. | Dimensions mm(in.) | | | Q'ty / box |
|----------|--------|---------------------|--------------------|------------|------------|------------|
| | | | A | B | C | |
| 3 | X | J21SF-03V-KX | 5.0(.197) | 8.3(.327) | 8.9(.350) | 400 |
| | Y | J21SF-03V-KY | 5.0(.197) | 8.3(.327) | 8.9(.350) | 400 |
| 4 | X | J21SF-04V-KX | 7.5(.295) | 10.8(.425) | 11.4(.449) | 400 |
| | Y | J21SF-04V-KY | 7.5(.295) | 10.8(.425) | 11.4(.449) | 400 |

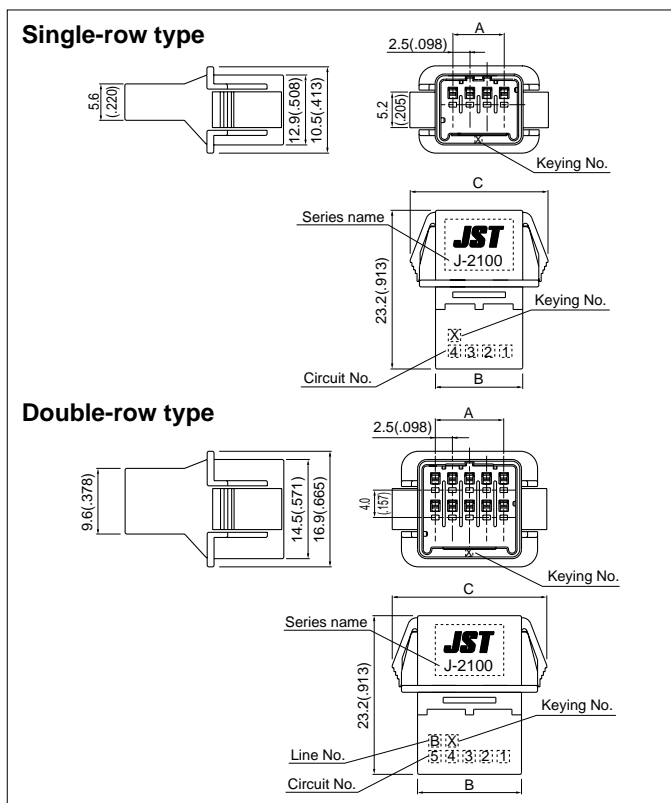
Double-row type

| Circuits | Keying | Model No. | Dimensions mm(in.) | | | Q'ty / box |
|----------|--------|---------------------|--------------------|-------------|-------------|------------|
| | | | A | B | C | |
| 6 | X | J21DF-06V-KX | 5.0(.197) | 8.3(.327) | 8.9(.350) | 300 |
| | Y | J21DF-06V-KY | 5.0(.197) | 8.3(.327) | 8.9(.350) | 300 |
| 8 | X | J21DF-08V-KX | 7.5(.295) | 10.8(.425) | 11.4(.449) | 300 |
| | Y | J21DF-08V-KY | 7.5(.295) | 10.8(.425) | 11.4(.449) | 300 |
| 10 | X | J21DF-10V-KX | 10.0(.394) | 13.3(.524) | 13.9(.547) | 200 |
| | Y | J21DF-10V-KY | 10.0(.394) | 13.3(.524) | 13.9(.547) | 200 |
| 12 | X | J21DF-12V-KX | 12.5(.492) | 15.8(.622) | 16.4(.646) | 200 |
| | Y | J21DF-12V-KY | 12.5(.492) | 15.8(.622) | 16.4(.646) | 200 |
| 16 | X | J21DF-16V-KX | 17.5(.689) | 20.8(.819) | 21.4(.843) | 200 |
| | Y | J21DF-16V-KY | 17.5(.689) | 20.8(.819) | 21.4(.843) | 200 |
| 20 | X | J21DF-20V-KX | 22.5(.886) | 25.8(1.016) | 26.4(1.039) | 100 |
| | Y | J21DF-20V-KY | 22.5(.886) | 25.8(1.016) | 26.4(1.039) | 100 |

Material

Glass-filled PBT, UL94V-0, black

Tab housing (Panel mounting type)



Single-row type

| Circuits | Keying | Model No. | Dimensions mm(in.) | | | Q'ty / box |
|----------|--------|----------------------|--------------------|------------|------------|------------|
| | | | A | B | C | |
| 4 | X | J21SPM-04V-KX | 7.5(.295) | 12.7(.500) | 20.1(.791) | 192 |
| | Y | J21SPM-04V-KY | 7.5(.295) | 12.7(.500) | 20.1(.791) | 192 |

Double-row type

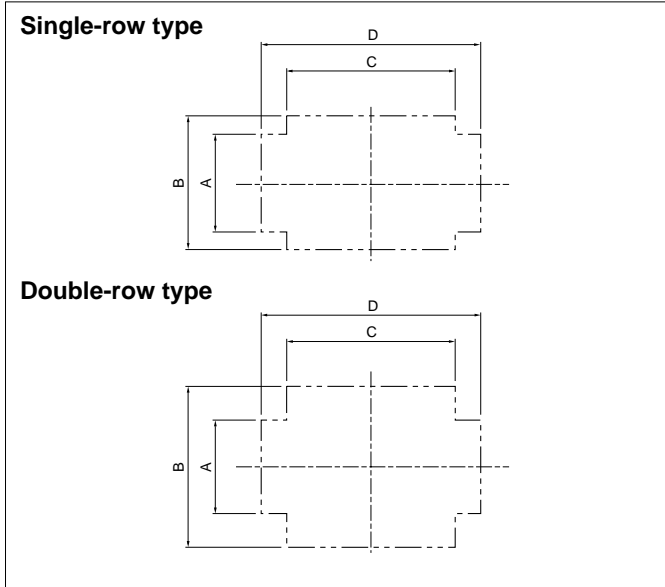
| Circuits | Keying | Model No. | Dimensions mm(in.) | | | Q'ty / box |
|----------|--------|----------------------|--------------------|-------------|-------------|------------|
| | | | A | B | C | |
| 6 | X | J21DPM-06V-KX | 5.0(.197) | 10.2(.402) | 17.6(.693) | 156 |
| | Y | J21DPM-06V-KY | 5.0(.197) | 10.2(.402) | 17.6(.693) | 156 |
| 10 | X | J21DPM-10V-KX | 10.0(.394) | 15.2(.598) | 22.6(.890) | 120 |
| | Y | J21DPM-10V-KY | 10.0(.394) | 15.2(.598) | 22.6(.890) | 120 |
| 12 | X | J21DPM-12V-KX | 12.5(.492) | 17.7(.697) | 25.1(.988) | 108 |
| | Y | J21DPM-12V-KY | 12.5(.492) | 17.7(.697) | 25.1(.988) | 108 |
| 16 | X | J21DPM-16V-KX | 17.5(.689) | 22.7(.894) | 30.1(1.185) | 84 |
| | Y | J21DPM-16V-KY | 17.5(.689) | 22.7(.894) | 30.1(1.185) | 84 |
| 20 | X | J21DPM-20V-KX | 22.5(.886) | 27.7(1.091) | 35.1(1.382) | 72 |
| | Y | J21DPM-20V-KY | 22.5(.886) | 27.7(1.091) | 35.1(1.382) | 72 |

Material

Glass-filled PBT, UL94V-0, black

JFA CONNECTOR/J2100

Panel layout



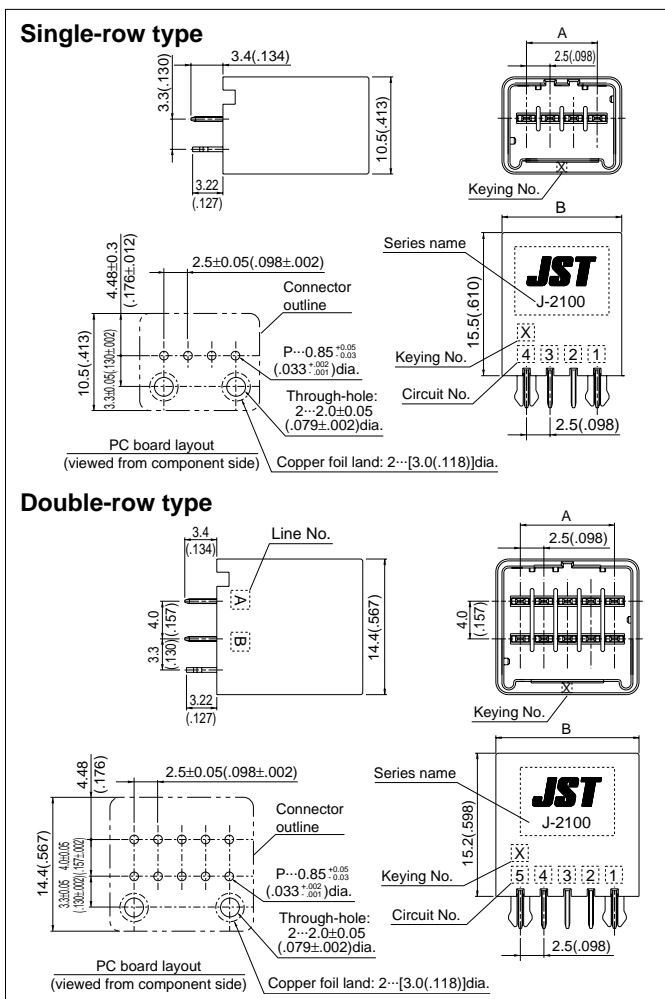
Single-row type

| Circuits | Dimensions mm(in.) | | | |
|----------|--------------------|------------|------------|------------|
| | A | B | C | D |
| 4 | 7.8(.307) | 10.8(.425) | 13.0(.512) | 17.7(.697) |

Double-row type

| Circuits | Dimensions mm(in.) | | | |
|----------|--------------------|------------|-------------|-------------|
| | A | B | C | D |
| 6 | 8.6(.339) | 14.8(.583) | 10.5(.413) | 15.2(.598) |
| 10 | 8.6(.339) | 14.8(.583) | 15.5(.610) | 20.2(.795) |
| 12 | 8.6(.339) | 14.8(.583) | 18.0(.709) | 22.7(.894) |
| 16 | 8.6(.339) | 14.8(.583) | 23.0(.906) | 27.7(1.091) |
| 20 | 8.6(.339) | 14.8(.583) | 28.0(1.102) | 32.7(1.287) |

Header top entry type (Center locking type)



Single-row type

| Circuits | Keying | Model No. | Dimensions mm(in.) | | Q'ty / box |
|----------|--------|------------------------|--------------------|------------|------------|
| | | | A | B | |
| 3 | X | B03B-J21SK-GGXR | 5.0(.197) | 10.2(.402) | 378 |
| | Y | B03B-J21SK-GGYR | 5.0(.197) | 10.2(.402) | 378 |
| 4 | X | B04B-J21SK-GGXR | 7.5(.295) | 12.7(.500) | 306 |
| | Y | B04B-J21SK-GGYR | 7.5(.295) | 12.7(.500) | 306 |

Material and Finish

Tab contact: Copper alloy, nickel-undercoated, selective gold-plated, selective tin/lead-plated
Housing: Glass-filled PBT, UL94V-0, black
Solder tab: Copper alloy, nickel-undercoated, tin/lead-plated

Double-row type

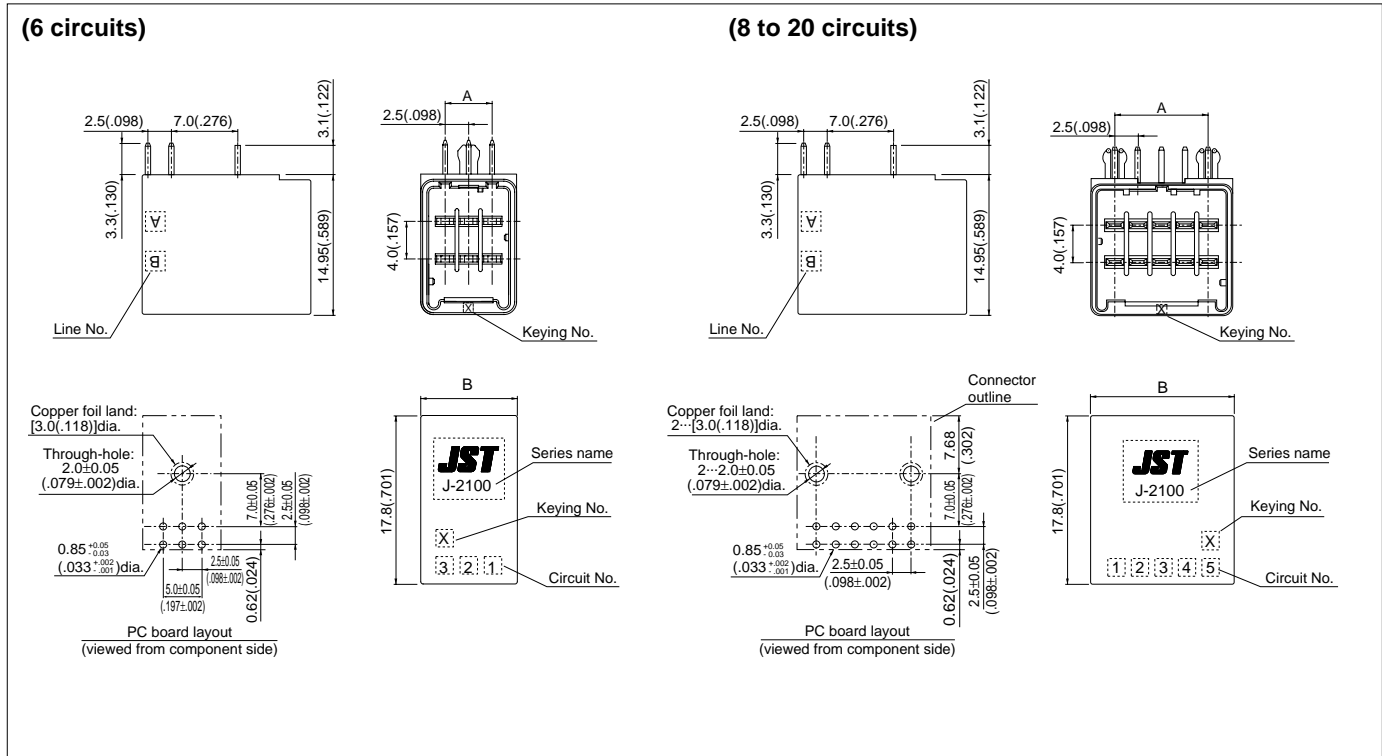
| Circuits | Keying | Model No. | Dimensions mm(in.) | | Q'ty / box |
|----------|--------|------------------------|--------------------|-------------|------------|
| | | | A | B | |
| 6 | X | B06B-J21DK-GGXR | 5.0(.197) | 10.2(.402) | 252 |
| | Y | B06B-J21DK-GGYR | 5.0(.197) | 10.2(.402) | 252 |
| 8 | X | B08B-J21DK-GGXR | 7.5(.295) | 12.7(.500) | 204 |
| | Y | B08B-J21DK-GGYR | 7.5(.295) | 12.7(.500) | 204 |
| 10 | X | B10B-J21DK-GGXR | 10.0(.394) | 15.2(.598) | 168 |
| | Y | B10B-J21DK-GGYR | 10.0(.394) | 15.2(.598) | 168 |
| 12 | X | B12B-J21DK-GGXR | 12.5(.492) | 17.7(.697) | 144 |
| | Y | B12B-J21DK-GGYR | 12.5(.492) | 17.7(.697) | 144 |
| 16 | X | B16B-J21DK-GGXR | 17.5(.689) | 22.7(.894) | 108 |
| | Y | B16B-J21DK-GGYR | 17.5(.689) | 22.7(.894) | 108 |
| 20 | X | B20B-J21DK-GGXR | 22.5(.886) | 27.7(1.091) | 84 |
| | Y | B20B-J21DK-GGYR | 22.5(.886) | 27.7(1.091) | 84 |

Material and Finish

Tab contact: Copper alloy, nickel-undercoated, selective gold-plated, selective tin/lead-plated
Housing: Glass-filled PBT, UL94V-0, black
Solder tab: Copper alloy, nickel-undercoated, tin/lead-plated

JFA CONNECTOR/J2100

Header side entry type (Center locking type)



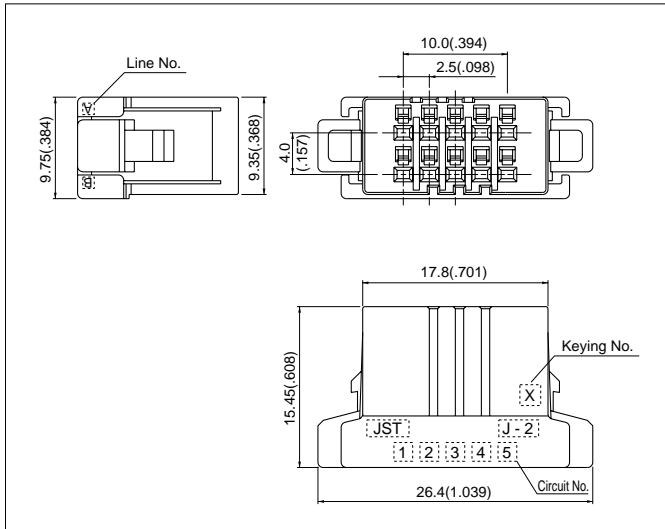
| Circuits | Keying | Model No. | Dimensions mm(in.) | | Q'ty / box |
|----------|--------|-----------------|--------------------|-------------|------------|
| | | | A | B | |
| 6 | X | S06B-J21DK-GGXR | 5.0(.197) | 10.2(.402) | 252 |
| | Y | S06B-J21DK-GGYR | 5.0(.197) | 10.2(.402) | 252 |
| 8 | X | S08B-J21DK-GGXR | 7.5(.295) | 12.7(.500) | 204 |
| | Y | S08B-J21DK-GGYR | 7.5(.295) | 12.7(.500) | 204 |
| 10 | X | S10B-J21DK-GGXR | 10.0(.394) | 15.2(.598) | 168 |
| | Y | S10B-J21DK-GGYR | 10.0(.394) | 15.2(.598) | 168 |
| 12 | X | S12B-J21DK-GGXR | 12.5(.492) | 17.7(.697) | 144 |
| | Y | S12B-J21DK-GGYR | 12.5(.492) | 17.7(.697) | 144 |
| 16 | X | S16B-J21DK-GGXR | 17.5(.689) | 22.7(.894) | 108 |
| | Y | S16B-J21DK-GGYR | 17.5(.689) | 22.7(.894) | 108 |
| 20 | X | S20B-J21DK-GGXR | 22.5(.886) | 27.7(1.091) | 84 |
| | Y | S20B-J21DK-GGYR | 22.5(.886) | 27.7(1.091) | 84 |

Material and Finish

Tab contact: Copper alloy, nickel-undercoated, selective gold-plated, selective tin/lead-plated
Housing: Glass-filled PBT, UL94V-0, black
Solder tab: Copper alloy, nickel-undercoated, tin/lead-plated

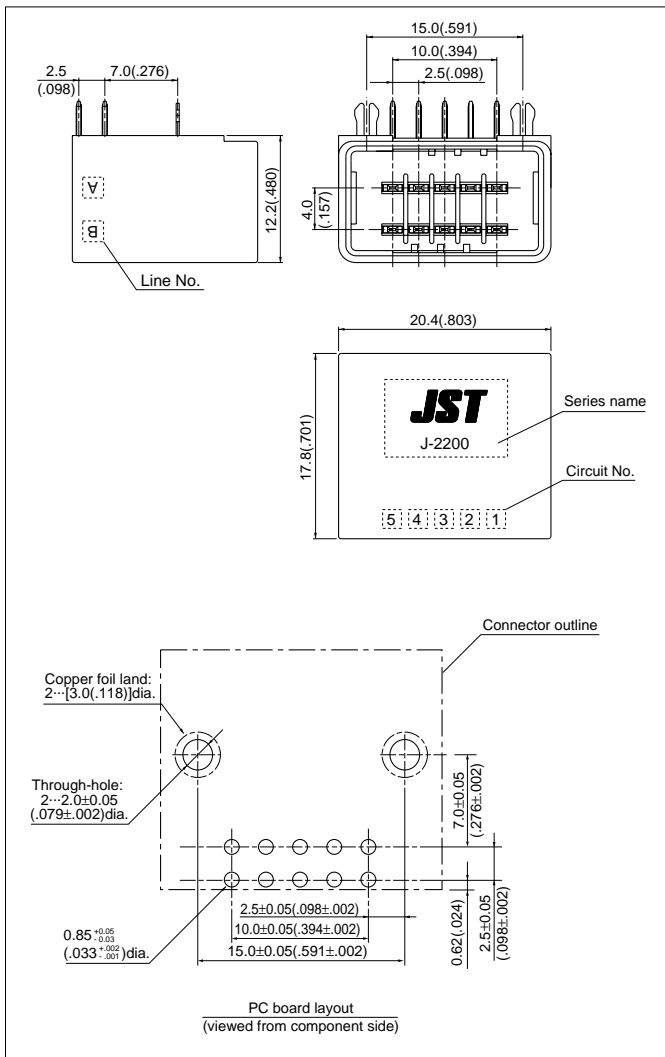
JFA CONNECTOR/J2200

Receptacle housing (Side locking type)



| Circuits | Keying | Model No. | Q'ty / bag |
|----------------------------------|--------|---------------------|------------|
| 10 | X | J22DF-10V-KX | 250 |
| | Y | J22DF-10V-KY | 250 |
| Material | | | |
| Glass-filled PBT, UL94V-0, black | | | |

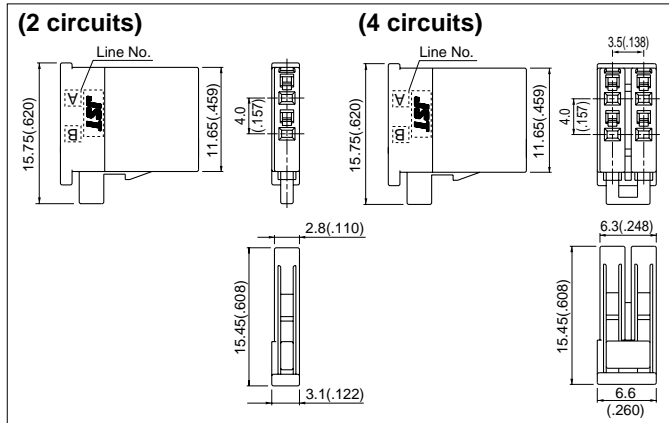
Header side entry type (Side locking type)



| Circuits | Keying | Model No. | Q'ty / box |
|------------------------------------------------------------------------------------------------------------------------------------------------------------------------------------|--------|------------------------|------------|
| 10 | X | S10B-J22DK-GGXR | 120 |
| | Y | S10B-J22DK-GGYR | 120 |
| Material and Finish | | | |
| Tab contact: Copper alloy, nickel-undercoated, selective gold-plated Housing: Glass-filled PBT, UL94V-0, black Solder tab: Copper alloy, nickel-undercoated, tin/lead-plated | | | |

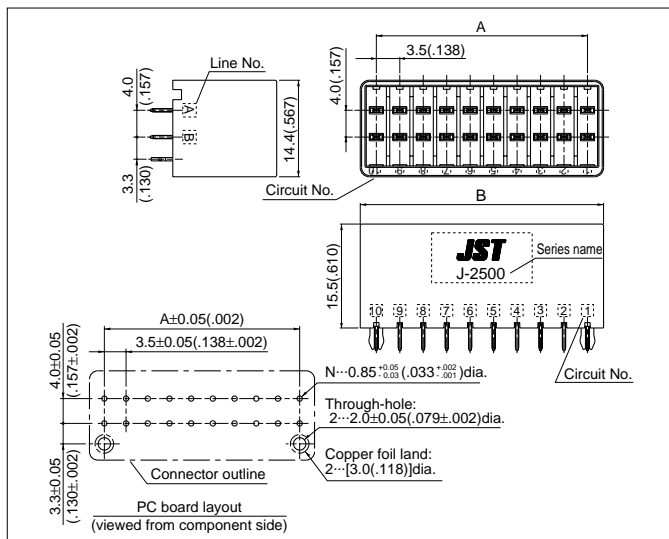
JFA CONNECTOR/J2500

Receptacle housing (Module type)



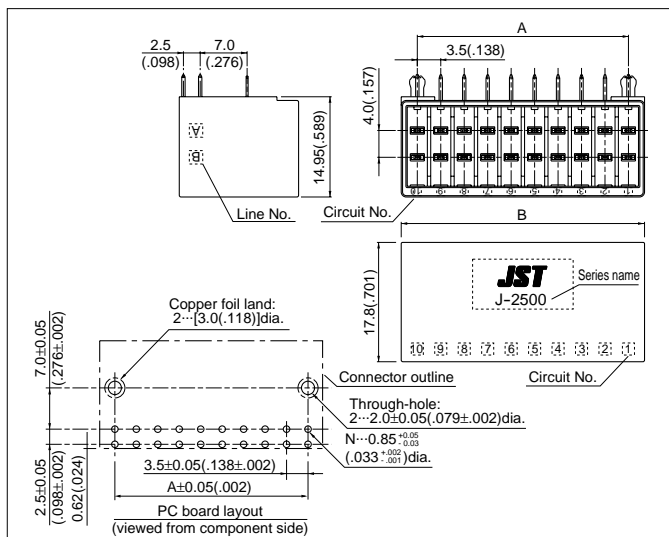
| Circuits | Keying | Model No. | Q'ty / bag |
|----------------------------------|--------|--------------------|------------|
| 2 | - | J25MF-02V-K | 800 |
| 4 | - | J25MF-04V-K | 400 |
| Material | | | |
| Glass-filled PBT, UL94V-0, black | | | |

Header top entry type (Module type)

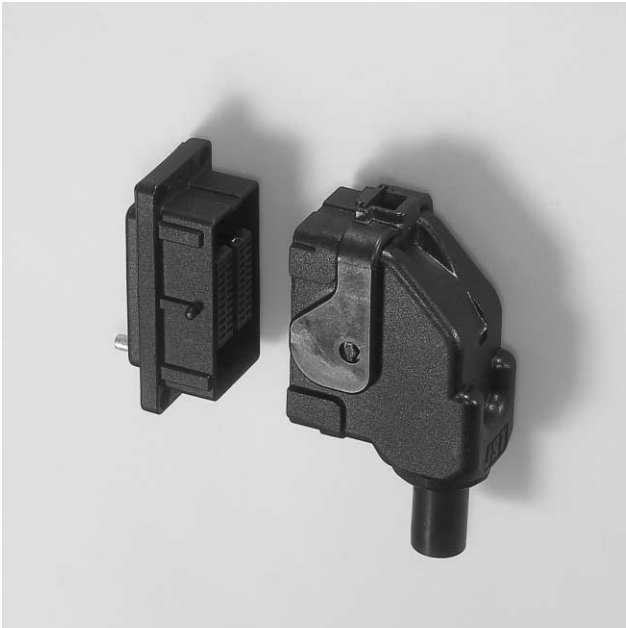


| Circuits | Keying | Model No. | Dimensions mm(in.) | | Q'ty / box |
|-------------------------------------------------------------------------------------------------|--------|-----------------------|--------------------|--------------|------------|
| | | | A | B | |
| 12 | - | B12B-J25DK-GGR | 17.5 (.689) | 22.3 (.878) | 108 |
| 20 | - | B20B-J25DK-GGR | 31.5 (1.240) | 36.3 (1.429) | 72 |
| Material and Finish | | | | | |
| Tab contact: Copper alloy, nickel-undercoated, selective gold-plated, selective tin/lead-plated | | | | | |
| Housing: Glass-filled PBT, UL94V-0, black | | | | | |
| Solder tab: Copper alloy, nickel-undercoated, tin/lead-plated | | | | | |

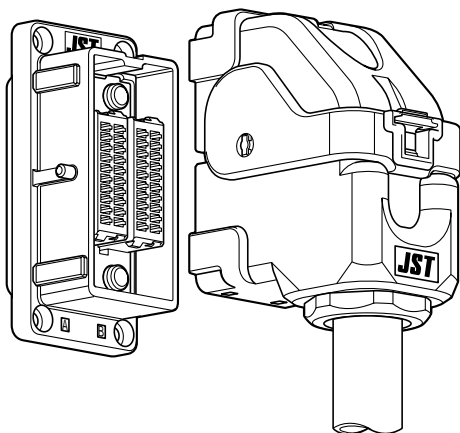
Header side entry type (Module type)



| Circuits | Keying | Model No. | Dimensions mm(in.) | | Q'ty / box |
|-------------------------------------------------------------------------------------------------|--------|-----------------------|--------------------|--------------|------------|
| | | | A | B | |
| 12 | - | S12B-J25DK-GGR | 17.5 (.689) | 22.3 (.878) | 108 |
| 20 | - | S20B-J25DK-GGR | 31.5 (1.240) | 36.3 (1.429) | 72 |
| Material and Finish | | | | | |
| Tab contact: Copper alloy, nickel-undercoated, selective gold-plated, selective tin/lead-plated | | | | | |
| Housing: Glass-filled PBT, UL94V-0, black | | | | | |
| Solder tab: Copper alloy, nickel-undercoated, tin/lead-plated | | | | | |



This connector is a metal shell type I/O connector with completely waterproof. Contacts are designed to be common with JFA connector J2000 series. The long tab contact realizes sequential circuit construction.



Features

• **Rigid metal shell**

Aluminum die-casting shell prevents from influence of external force. High waterproof performance as 7 ingress protection of JIS C 0920.

• **Easy mating operation**

Plug, cap and assembly have temporary retention features, and connector mating is completed by light rotating operation of lock lever. Lock lever is fixed when mated, and it prevents lock from coming off due to vibration and so on.

• **Long type tab contact**

Both standard type and long type tab contact are available as a tab contact.

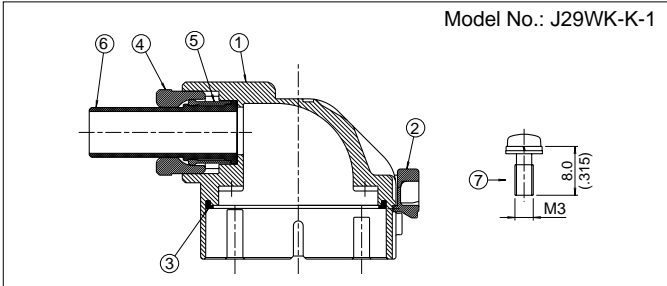
The long type tab contact realizes sequential circuit construction.

Specifications

- Current rating: 3A max. AC, DC
- Voltage rating: 250V AC, DC
- Temperature range: -55°C to +105°C
(including temperature rise in applying electrical current)
- Withstanding voltage: 1,500V AC/minute
- Applicable wire: AWG #28 to #20
- Cable O.D.: 11.1 to 13.5mm (.437" to .531")
- * Contact JST if Lead-Free product is required.
- * Refer to "General Instruction and Notice when using Terminals and Connectors" at the end of this catalog.
- * Contact JST for details.

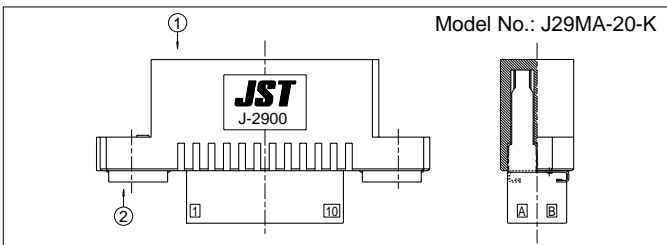
JFA CONNECTOR/J2900

Wire side Shell kit



| No. | Parts name | Q'ty |
|-----|--------------------|------|
| 1 | Shell at wire side | 1 |
| 2 | Lever | 1 |
| 3 | Seal ring | 1 |
| 4 | Clamp nut | 1 |
| 5 | Clamp arm | 1 |
| 6 | Clamp rubber | 1 |
| 7 | Sems screw(M3X8L) | 4 |

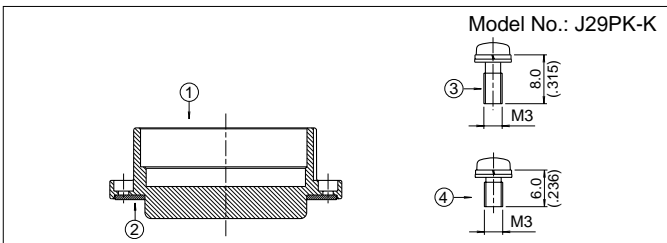
Tab housing assembly



| No. | Parts name | Q'ty |
|-----|------------------|------|
| 1 | Tab housing | 1 |
| 2 | Ground contact B | 2 |

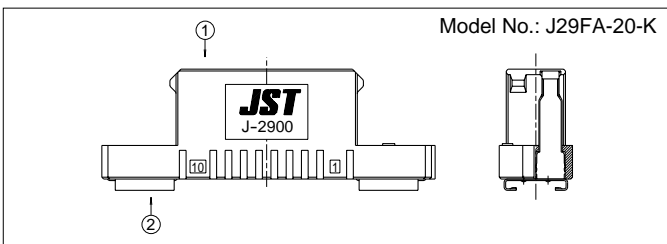
Note: Refer to page 139 about tab contact.

Panel side Shell kit



| No. | Parts name | Q'ty |
|-----|---------------------|------|
| 1 | Shell at panel side | 1 |
| 2 | Seal rubber plate | 1 |
| 3 | Sems screw(M3X8L) | 4 |
| 4 | Sems screw(M3X6L) | 1 |

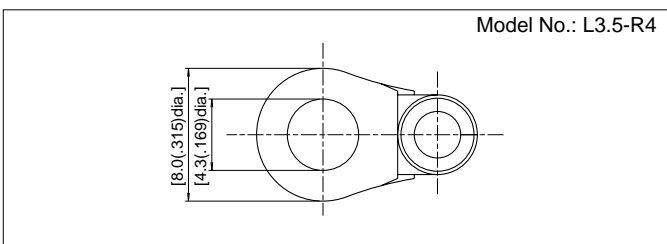
Receptacle housing assembly



| No. | Parts name | Q'ty |
|-----|--------------------|------|
| 1 | Receptacle housing | 1 |
| 2 | Ground contact B | 2 |

Note: Refer to page 139 about receptacle contact.

Ground terminal

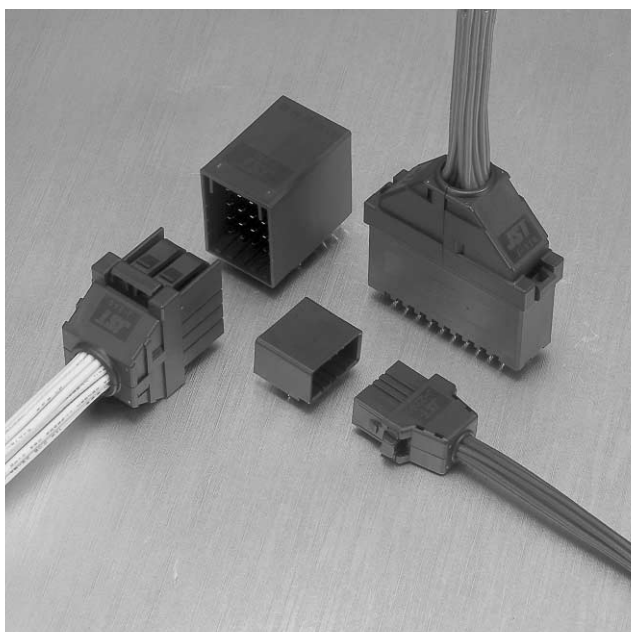


JFA CONNECTOR/J2000/J2100/J2200/J2500/J2900 & J2000 SERIES PROTECTOR

Applicator for the semi-automatic press AP-K2N

| Contact | Crimp applicator MKS-L | | Compact crimp applicator MKS-LS | | Strip-crimp applicator MKS-SC |
|-------------------------|------------------------|----------------------|---------------------------------|----------------------|-------------------------------|
| | with safety cover | without safety cover | with safety cover | without safety cover | with safety cover |
| SJ2F-002GF-P1.0 | APLMK SJ2F/M002-10 | APLNC SJ2F/M002-10 | - | - | - |
| SJ2M-002GF-M1.0N | APLMK SJ2F/M002-10 | APLNC SJ2F/M002-10 | - | - | - |
| SJ2F-01GF-P1.0 | APLMK SJ2F/M01-10 | APLNC SJ2F/M01-10 | - | - | - |
| SJ2M-01GF-M1.0N | APLMK SJ2F/M01-10 | APLNC SJ2F/M01-10 | - | - | - |
| SJ2M-01GF-M1.0S | APLMK SJ2F/M01-10 | APLNC SJ2F/M01-10 | - | - | - |
| SJ2F-21GF-P1.0 | APLMK SJ2F/M21-10 | APLNC SJ2F/M21-10 | - | - | - |
| SJ2M-21GF-M1.0N | APLMK SJ2F/M21-10 | APLNC SJ2F/M21-10 | - | - | - |

JFA CONNECTOR J2000 SERIES PROTECTOR

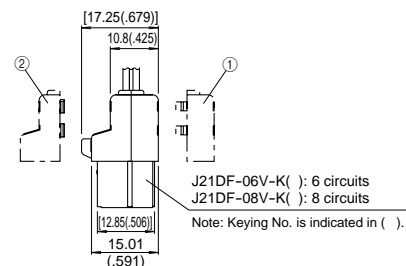
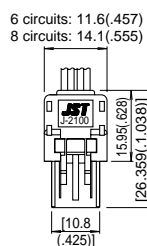


When applying current to connector, this protector prevents insertion of foreign matter to contacting part from wire side. But it does not have function of wire retention.

J2100 series for 6 and 8 circuits

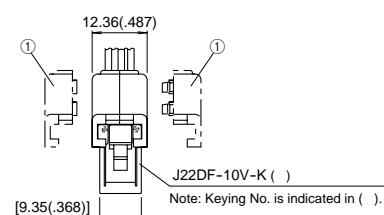
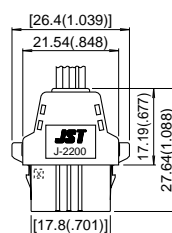
Model No. of ① J21PF-06SCA
6 circuits ② J21PF-06SCB

Model No. of ① J21PF-08SCA
8 circuits ② J21PF-08SCB



J2200 series for 10 circuits

Model No. ① J22PF-10VK



Note: Protector is not UL approved.