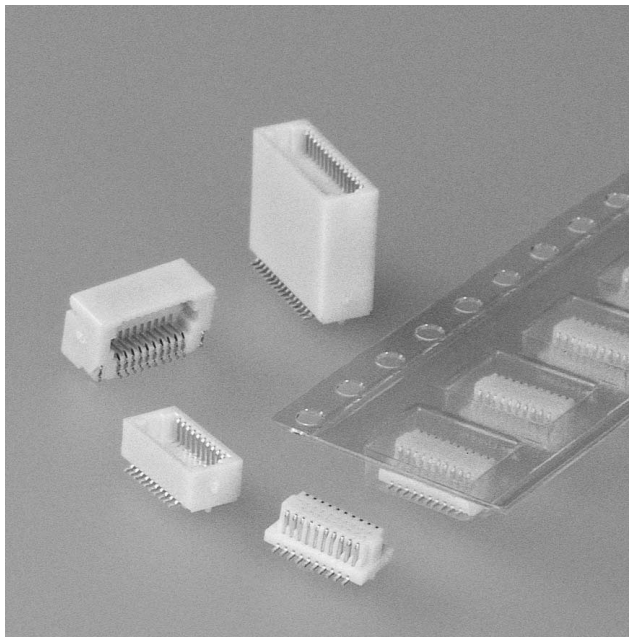


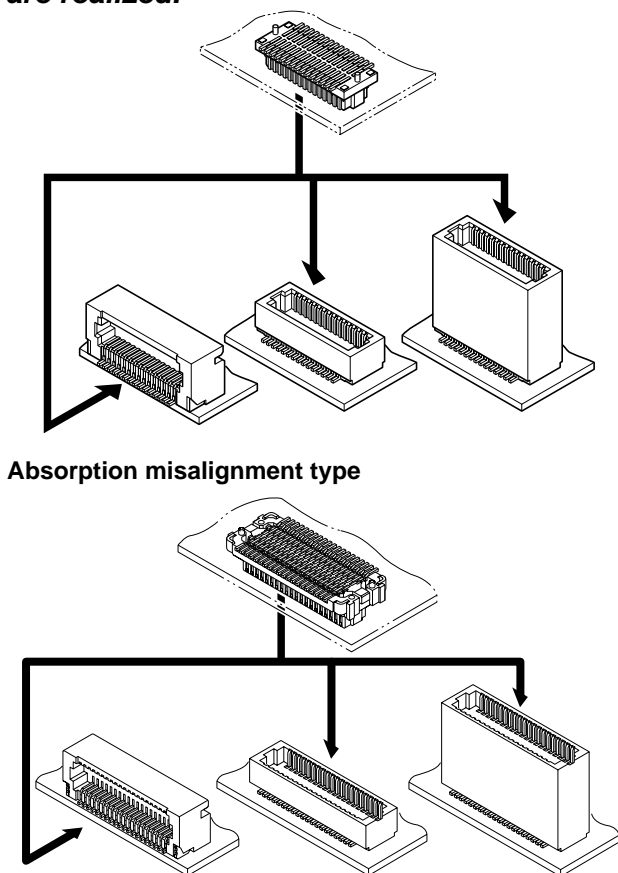
JMC CONNECTOR



Board-to-board connectors



This JMC connector is 0.5mm (.020") pitch SMT type board to board connector with selection of boss existence. Comparing with conventional JMC connector, more small and space saving are realized.



Features

• Secure mating

Cantilever type contact that has wiping effectiveness provides secure mating by contact lock with favorable click-feeling.

• Distortion resistant construction

Guide ribs on both sides of plug and housing toward pitch direction prevent distortion.

• Versatile number of circuit and height

Number of circuits: 20 to 80

Height: 3.0mm (.118") to 10.0mm (.394")

• Absorbing misalignment when mating connector

The receptacle housing consists of two separated parts and has the movable part between mating part and soldering part of contacts. This enables to absorb torsion strain and misalignment when mating connector.

Specifications

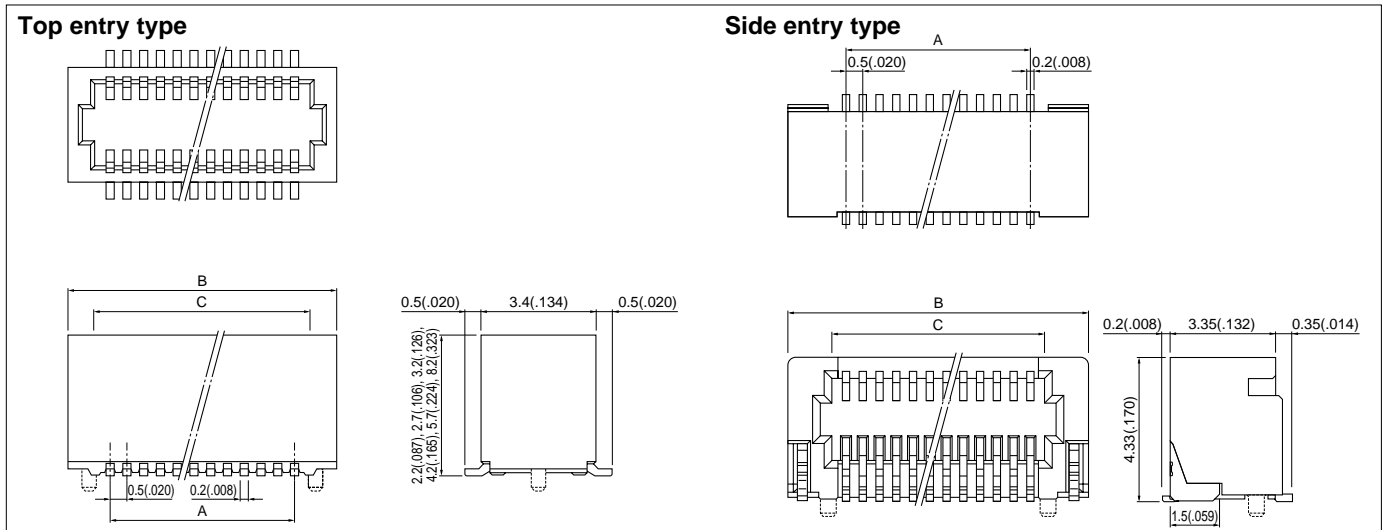
- Current rating: 0.5A AC, DC
- Voltage rating: 50V AC, DC
- Temperature range: -25°C to +85°C
(including temperature rise in applying electrical current)
- Contact resistance: Initial value/50m Ω max.
After environmental testing/100m Ω max.
- Insulation resistance: 50M Ω min.
- Withstanding voltage: 100V AC/minute
- * Contact JST if Lead-Free product is required.
- * Refer to "General Instruction and Notice when using Terminals and Connectors" at the end of this catalog.
- * Contact JST for details.

Standards

Recognized E60389

Certified LR20812

Plug



Top entry type

	Circuits	Model No.				Dimensions mm(in.)			
		Stacking height mm(in.)				A	B	C	D
		3.0(.118")	3.5(.138")	4.0(.157")	4.5(.177")				
Without bosses	20	—	20P3.5-JMCS-G-TF	—	—	4.5(.177)	6.9(.272)	5.4(.213)	5.7(.224)
	24	—	24P3.5-JMCS-G-TF	—	—	5.5(.217)	7.9(.311)	6.4(.252)	6.7(.264)
	30	—	30P3.5-JMCS-G-TF	30P4.0-JMCS-G-TF	—	7.0(.276)	9.4(.370)	7.9(.311)	8.2(.323)
	40	40P3.0-JMCS-G-TF	40P3.5-JMCS-G-TF	40P4.0-JMCS-G-TF	—	9.5(.374)	11.9(.469)	10.4(.409)	10.7(.421)
	50	50P3.0-JMCS-G-TF	—	—	—	12.0(.472)	14.4(.567)	12.9(.508)	13.2(.520)
	60	60P3.0-JMCS-G-TF	—	—	—	14.5(.571)	16.9(.665)	15.4(.606)	15.7(.618)
With bosses	20	—	20P3.5-JMCS-G-B-TF	—	20P4.5-JMCS-G-B-TF	4.5(.177)	6.9(.272)	5.4(.213)	5.7(.224)
	30	—	30P3.5-JMCS-G-B-TF	30P4.0-JMCS-G-B-TF	—	7.0(.276)	9.4(.370)	7.9(.311)	8.2(.323)
	40	40P3.0-JMCS-G-B-TF	40P3.5-JMCS-G-B-TF	40P4.0-JMCS-G-B-TF	—	9.5(.374)	11.9(.469)	10.4(.409)	10.7(.421)
	50	50P3.0-JMCS-G-B-TF	—	50P4.0-JMCS-G-B-TF	—	12.0(.472)	14.4(.567)	12.9(.508)	13.2(.520)
	60	—	—	60P4.0-JMCS-G-B-TF	—	14.5(.571)	16.9(.665)	15.4(.606)	15.7(.618)
	Q'ty / reel		2,500	2,000	2,000	1,500			

	Circuits	Model No.				Dimensions mm(in.)			
		Stacking height mm(in.)				A	B	C	D
		5.0(.197")	5.5(.217")	6.0(.236")	6.5(.256")				
Without bosses	20	20P5.0-JMCS-G-TF	20P5.5-JMCS-G-TF	20P6.0-JMCS-G-TF	—	4.5(.177)	6.9(.272)	5.4(.213)	5.7(.224)
	30	—	—	—	30P6.5-JMCS-G-TF	7.0(.276)	9.4(.370)	7.9(.311)	8.2(.323)
	40	40P5.0-JMCS-G-TF	—	—	—	9.5(.374)	11.9(.469)	10.4(.409)	10.7(.421)
	50	50P5.0-JMCS-G-TF	—	—	—	12.0(.472)	14.4(.567)	12.9(.508)	13.2(.520)
	60	60P5.0-JMCS-G-TF	60P5.5-JMCS-G-TF	—	—	14.5(.571)	16.9(.665)	15.4(.606)	15.7(.618)
	With bosses	14	14P5.0-JMCS-G-B-TF	—	—	—	3.0(.118)	5.4(.213)	3.9(.154)
20		20P5.0-JMCS-G-B-TF	20P5.5-JMCS-G-B-TF	20P6.0-JMCS-G-B-TF	—	4.5(.177)	6.9(.272)	5.4(.213)	5.7(.224)
30		—	—	—	30P6.5-JMCS-G-B-TF	7.0(.276)	9.4(.370)	7.9(.311)	8.2(.323)
40		40P5.0-JMCS-G-B-TF	—	40P6.0-JMCS-G-B-TF	40P6.5-JMCS-G-B-TF	9.5(.374)	11.9(.469)	10.4(.409)	10.7(.421)
Q'ty / reel		1,500	1,000	1,000	1,000				

	Circuits	Model No.				Dimensions mm(in.)			
		Stacking height mm(in.)				A	B	C	D
		7.0(.276")	7.5(.295")	8.0(.315")	8.5(.335")				
Without bosses	20	20P7.0-JMCS-G-TF	—	—	—	4.5(.177)	6.9(.272)	5.4(.213)	5.7(.224)
	50	50P7.0-JMCS-G-TF	—	—	—	12.0(.472)	14.4(.567)	12.9(.508)	13.2(.520)
With bosses	34	—	—	—	34P8.5-JMCS-G-B-TF	8.0(.315)	10.4(.409)	8.9(.350)	9.2(.362)
	50	50P7.0-JMCS-G-B-TF	50P7.5-JMCS-G-B-TF	50P8.0-JMCS-G-B-TF	—	12.0(.472)	14.4(.567)	12.9(.508)	13.2(.520)
Q'ty / reel		1,000	600	600	500				

- Note: 1. The stacking height of absorption misalignment type is 1.0mm (.039") higher than that of standard type.
 2. Nickel-stripe product: "(N)" is suffixed to the model No.
 3. The products listed above are supplied on embossed-tape.

JMC CONNECTOR

Plug

Top entry type

	Circuits	Model No.				Dimensions mm(in.)			
		Stacking height mm(in.)				A	B	C	D
		9.0(.354")	10.0(.394")	—	—				
Without bosses	20	—	20P10.0-JMCS-G-TF	—	—	4.5(.177)	6.9(.272)	5.4(.213)	5.7(.224)
	30	30P9.0-JMCS-G-TF	—	—	—	7.0(.276)	9.4(.370)	7.9(.311)	8.2(.323)
	50	50P9.0-JMCS-G-TF	—	—	—	12.0(.472)	14.4(.567)	12.9(.508)	13.2(.520)
With bosses	20	—	20P10.0-JMCS-G-B-TF	—	—	4.5(.177)	6.9(.272)	5.4(.213)	5.7(.224)
	30	30P9.0-JMCS-G-B-TF	—	—	—	7.0(.276)	9.4(.370)	7.9(.311)	8.2(.323)
	40	40P9.0-JMCS-G-B-TF	40P10.0-JMCS-G-B-TF	—	—	9.5(.374)	11.9(.469)	10.4(.409)	10.7(.421)
	50	50P9.0-JMCS-G-B-TF	—	—	—	12.0(.472)	14.4(.567)	12.9(.508)	13.2(.520)
	60	60P9.0-JMCS-G-B-TF	—	—	—	14.5(.571)	16.9(.665)	15.4(.606)	15.7(.618)
Q'ty / reel		500	500	—	—	—	—	—	—

Note: 1. The stacking height of absorption misalignment type is 1.0mm (.039") higher than that of standard type.

2. Nickel-stripe product: "(N)" is suffixed to the model No.

3. The products listed above are supplied on embossed-tape.

Side entry type

	Circuits	Model No.	Dimensions mm(in.)				Q'ty/ reel
			A	B	C	D	
Without bosses	20	20PS-JMCS-G-1-TF	4.5(.177)	7.9(.311)	5.4(.213)	5.55(.219)	1,500
	24	24PS-JMCS-G-1-TF	5.5(.217)	8.9(.350)	6.4(.252)	6.55(.258)	1,500
	30	30PS-JMCS-G-1-TF	7.0(.276)	10.4(.409)	7.9(.311)	8.05(.317)	1,500
	34	34PS-JMCS-G-1-TF	8.0(.315)	11.4(.449)	8.9(.350)	9.05(.356)	1,500
	40	40PS-JMCS-G-1-TF	9.5(.374)	12.9(.508)	10.4(.409)	10.55(.415)	1,500
	50	50PS-JMCS-G-1-TF	12.0(.472)	15.4(.606)	12.9(.508)	13.05(.514)	1,500
With bosses	60	60PS-JMCS-G-1-TF	14.5(.571)	17.9(.705)	15.4(.606)	15.55(.612)	1,500
	20	20PS-JMCS-G-1B-TF	4.5(.177)	7.9(.311)	5.4(.213)	5.55(.219)	1,500
	30	30PS-JMCS-G-1B-TF	7.0(.276)	10.4(.409)	7.9(.311)	8.05(.317)	1,500
	34	34PS-JMCS-G-1B-TF	8.0(.315)	11.4(.449)	8.9(.350)	9.05(.356)	1,500
	40	40PS-JMCS-G-1B-TF	9.5(.374)	12.9(.508)	10.4(.409)	10.55(.415)	1,500
	46	46PS-JMCS-G-1B-TF	11.0(.433)	14.4(.567)	11.9(.469)	12.05(.474)	1,500
	50	50PS-JMCS-G-1B-TF	12.0(.472)	15.4(.606)	12.9(.508)	13.05(.514)	1,500
	60	60PS-JMCS-G-1B-TF	14.5(.571)	17.9(.705)	15.4(.606)	15.55(.612)	1,500

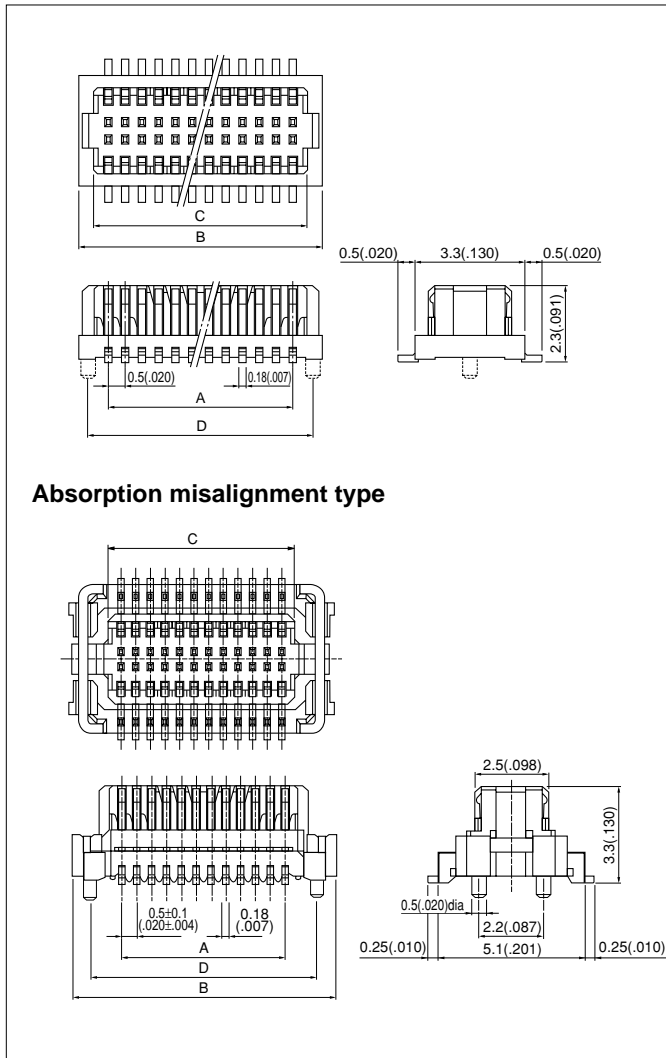
Material and Finish

Contact: Phosphor bronze, gold-plated
Housing: Modified nylon 6T, UL94V-0
Solder tab: Brass, tin/lead-plated

Note: 1. Nickel-stripe product: "(N)" is suffixed to the model No.

2. The products listed above are supplied on embossed-tape.

Receptacle



Cir- cuits	Model No.		Dimensions mm(in.)				Qty / reel
	Without bosses	With bosses	A	B	C	D	
14	14R-JMCS-G-TF (S)	14R-JMCS-G-B-TF (S)	3.0(.118)	4.8(.189)	3.9(.154)	4.2(.165)	2,500
20	20R-JMCS-G-TF (S)	20R-JMCS-G-B-TF (S)	4.5(.177)	6.3(.248)	5.4(.213)	5.7(.224)	2,500
24	24R-JMCS-G-TF (S)	24R-JMCS-G-B-TF (S)	5.5(.217)	7.3(.287)	6.4(.252)	6.7(.264)	2,500
30	30R-JMCS-G-TF (S)	30R-JMCS-G-B-TF (S)	7.0(.276)	8.8(.346)	7.9(.311)	8.2(.323)	2,500
34	34R-JMCS-G-TF (S)	34R-JMCS-G-B-TF (S)	8.0(.315)	9.8(.386)	8.9(.350)	9.2(.362)	2,500
40	40R-JMCS-G-TF (S)	40R-JMCS-G-B-TF (S)	9.5(.374)	11.3(.445)	10.4(.409)	10.7(.421)	2,500
46	46R-JMCS-G-TF (S)	46R-JMCS-G-B-TF (S)	11.0(.433)	12.8(.504)	11.9(.469)	12.2(.480)	2,500
50	50R-JMCS-G-TF (S)	50R-JMCS-G-B-TF (S)	12.0(.472)	13.8(.543)	12.9(.508)	13.2(.520)	2,500
60	60R-JMCS-G-TF (S)	60R-JMCS-G-B-TF (S)	14.5(.571)	16.3(.642)	15.4(.606)	15.7(.618)	2,500

Material and Finish

Contact: Phosphor bronze, gold-plated
Housing: Modified nylon 6T, UL94V-0

Note: 1. The products listed above are supplied on embossed-tape.
2. Nickel-stripe product: "(NSA)" instead of "(S)" is suffixed to model No.

Absorption misalignment type

Cir- cuits	Model No.		Dimensions mm(in.)				Qty / reel
	Without bosses	With bosses	A	B	C	D	
20	20RF-JMCS-G-1-TF	20RF-JMCS-G-1B-TF	4.5(.177)	8.0(.315)	5.4(.213)	6.75(.266)	1,000
30	30RF-JMCS-G-1-TF	30RF-JMCS-G-1B-TF	7.0(.276)	10.5(.413)	7.9(.311)	9.25(.364)	1,000
40	40RF-JMCS-G-1-TF	40RF-JMCS-G-1B-TF	9.5(.374)	13.0(.512)	10.4(.409)	11.75(.463)	1,000
50	50RF-JMCS-G-1-TF	50RF-JMCS-G-1B-TF	12.0(.472)	15.5(.610)	12.9(.508)	14.25(.561)	1,000
60	60RF-JMCS-G-1-TF	60RF-JMCS-G-1B-TF	14.5(.571)	18.0(.709)	15.4(.606)	16.75(.659)	1,000

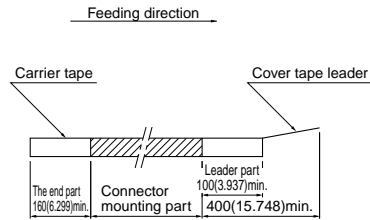
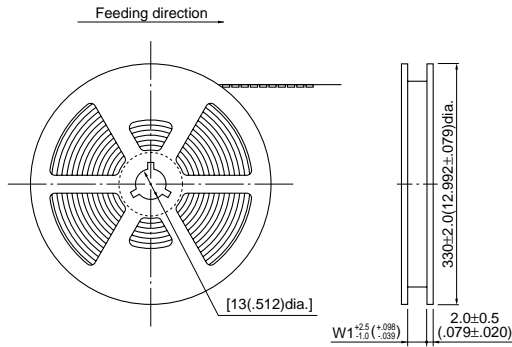
Material and Finish

Contact: Phosphor bronze, gold-plated
Housing: Modified nylon 6T, UL94V-0
Solder tab: Brass, copper-undercoated, tin/lead-plated

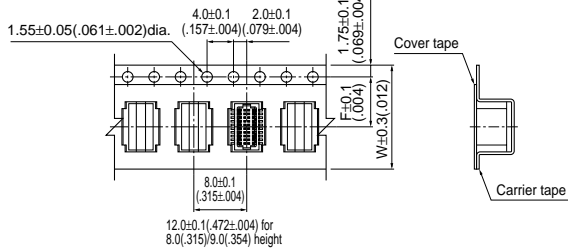
Note: 1. The products listed above are supplied on embossed-tape.
2. Nickel-stripe product: "(N)" is suffixed to model No.

JMC CONNECTOR

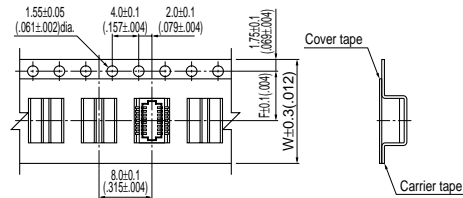
Taping specifications



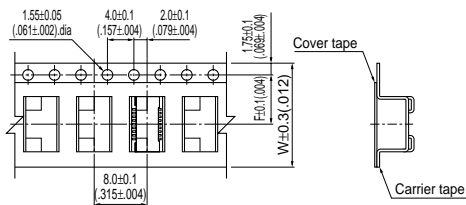
Plug: top entry type



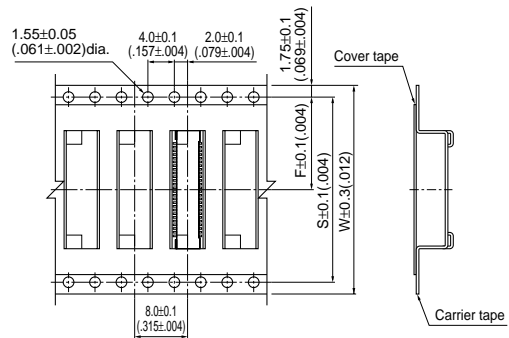
Receptacle



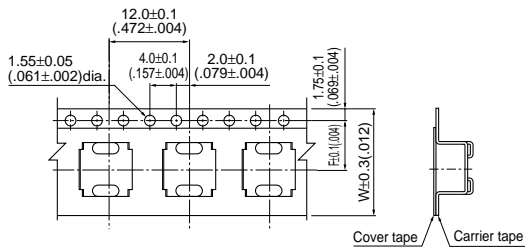
Plug: side entry type (20 to 50 circuits)



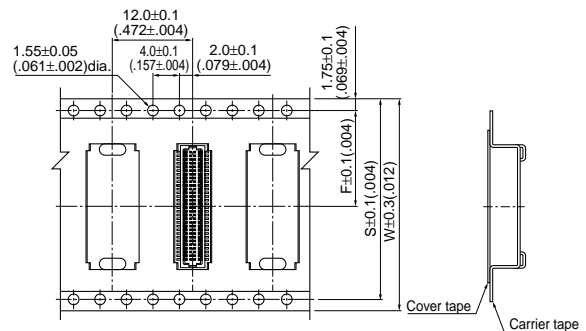
(60 circuits)



Absorption misalignment type (20 to 50 circuits)



(60 circuits)



Plug Top entry type

Stacking height : 3.0(.118), 3.5(.138), 4.0(.157), 4.5(.177), 5.0(.197), 5.5(.217), 6.0(.236), 6.5(.256), 7.0(.276)

Cir- cuits	Dimensions mm(in.)			
	F	S	W	W1
14 to 30	7.5(.295)	–	16.0(.630)	17.5(.689)
40 to 60	11.5(.453)	–	24.0(.945)	25.5(1.004)

Stacking height : 7.5(.295), 8.0(.315), 8.5(.335), 9.0(.354), 10.0(.394)

Cir- cuits	Dimensions mm(in.)			
	F	S	W	W1
20 to 30	7.5(.295)	–	16.0(.630)	17.5(.689)
34 to 50	11.5(.453)	–	24.0(.945)	25.5(1.004)

Note: 1. Specifications conform to JIS C 0806. The tape width, connector loading recess square hole dimensions, etc. are determined by the number of circuits and external shape of the connector to be loaded.
2. Specifications are subject to change without prior notice.

Plug Side entry type

Cir- cuits	Dimensions mm(in.)			
	F	S	W	W1
20 to 24	7.5(.295)	–	16.0(.630)	17.5(.689)
30 to 50	11.5(.453)	–	24.0(.945)	25.5(1.004)
60	14.2(.559)	28.4(1.118)	32.0(1.260)	33.5(1.319)

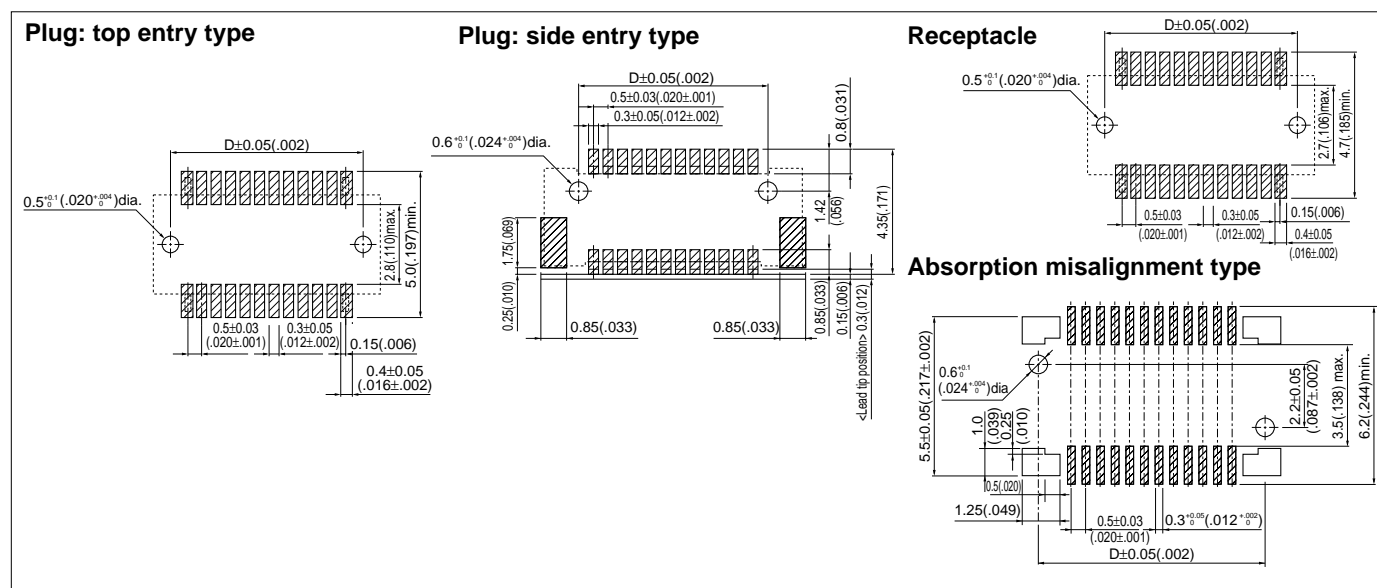
Receptacle

Cir- cuits	Dimensions mm(in.)			
	F	S	W	W1
14 to 34	7.5(.295)	–	16.0(.630)	17.5(.689)
40 to 60	11.5(.453)	–	24.0(.945)	25.5(1.004)

Receptacle/Absorption misalignment type

Cir- cuits	Dimensions mm(in.)			
	F	S	W	W1
20	7.5(.295)	–	16.0(.630)	17.5(.689)
30 to 50	11.5(.453)	–	24.0(.945)	25.5(1.004)
60	14.2(.559)	28.4(1.118)	32.0(1.260)	33.5(1.319)

PC board layout (viewed from component side)



Note:

1. Tolerances are non-cumulative: $\pm 0.03\text{mm} (\pm 0.001")$ for all centers.
2. The dimensions above should serve as a guideline. Contact JST for details.

Assembly layout

