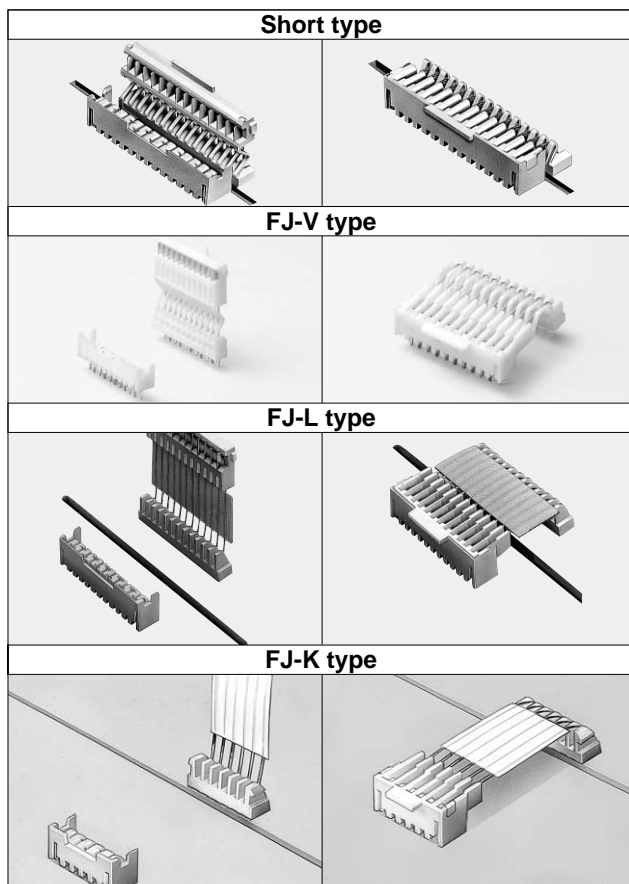
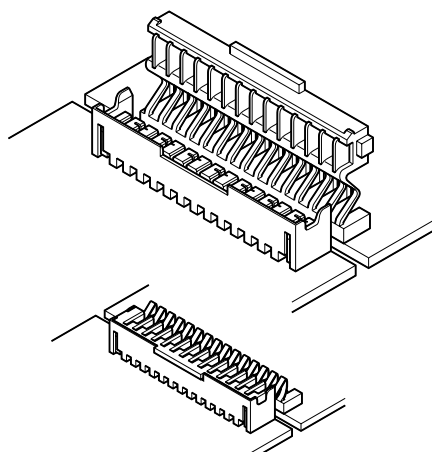


FJ CONNECTOR

Board-to-board connectors



The FJ board-to-board connector absorbs lateral and longitudinal alignment errors thanks to an innovative new design that provides flexible connection between closely spaced circuit boards. Added advantages are simplified and less stringent packaging specifications for board-to-board connections and a higher quality end product.



Features

- **Flexible connection absorbs circuit board misalignment**

After the plug and header are mounted on adjoining boards, an extended hinged connection between them offers greater flexibility. The hinge compensates for slight misalignments between circuit boards to assure a secure connection even if the boards are out of line up to 1.0mm (.039").

- **Provides a low profile mount and allows connection after mounting**

This compact, low profile design features 2.0mm (.079") pitch and slim 6.0mm (.236") mounting height. Board-to-board connection is easier because the connection can be made after the installation of the connector mounted printed circuit boards.

- **Assures a reliable connection**

Superior reliability is assured even when the assembly is subjected to external stress and vibration. This sturdiness is due to a secure locking device and the use of JST's high-retention zigzag fork contacts.

Specifications

- Current rating: 1.0A AC, DC
- Voltage rating: 50V AC, DC
- Temperature range: -25°C to +85°C
(including temperature rise in applying electrical current)
- Contact resistance: Initial value/40m Ω max.
After environmental testing/80m Ω max.
- Insulation resistance: 500M Ω min.
- Withstanding voltage: 500V AC/minute
- Applicable PC board thickness: 1.6mm(.063")
- * Contact JST if Lead-Free product is required.
- * Refer to "General Instruction and Notice when using Terminals and Connectors" at the end of this catalog.
- * Contact JST for details.

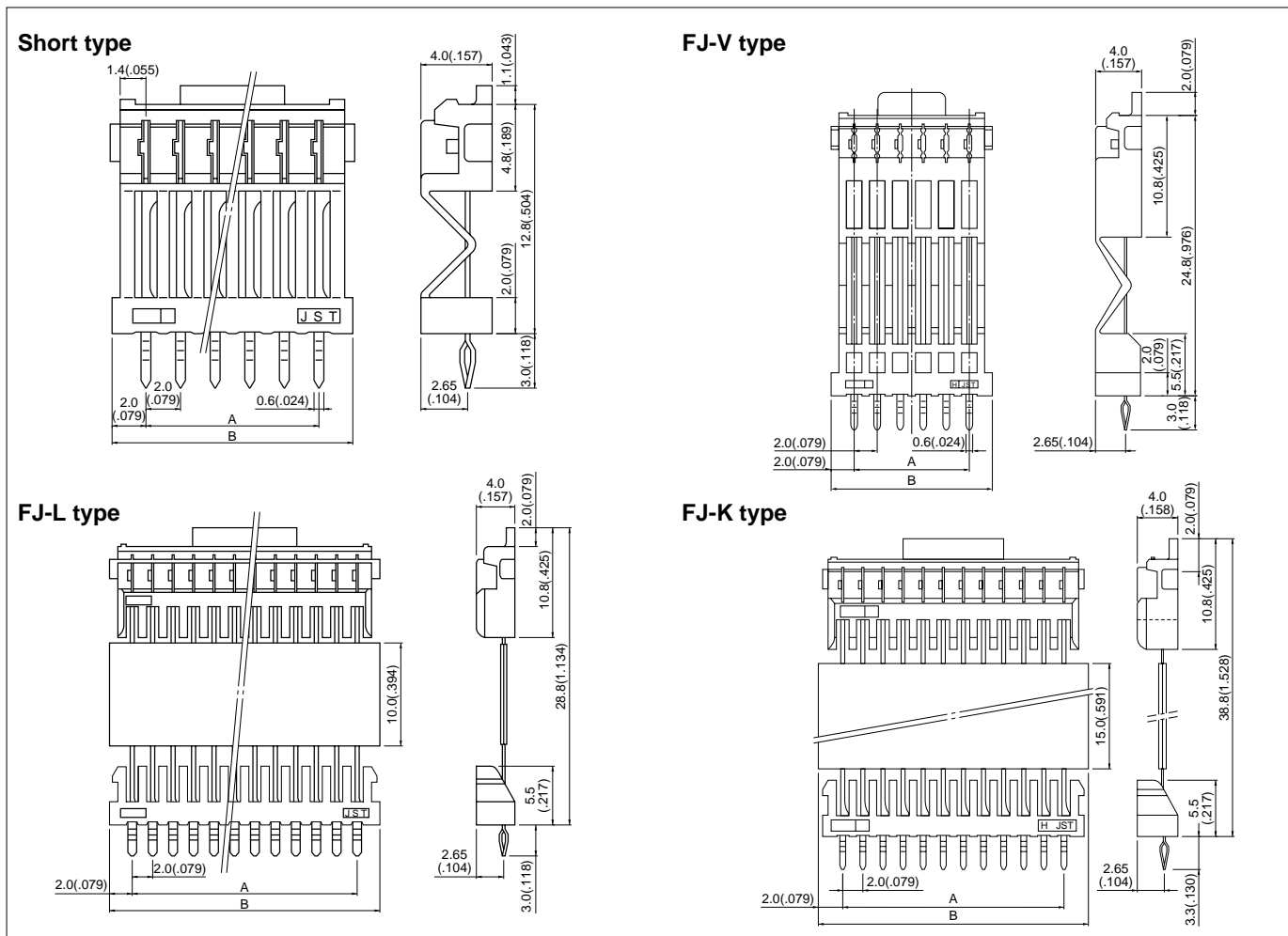
Standards

Ⓜ Recognized E60389

Ⓢ Certified LR20812

FJ CONNECTOR

Plug

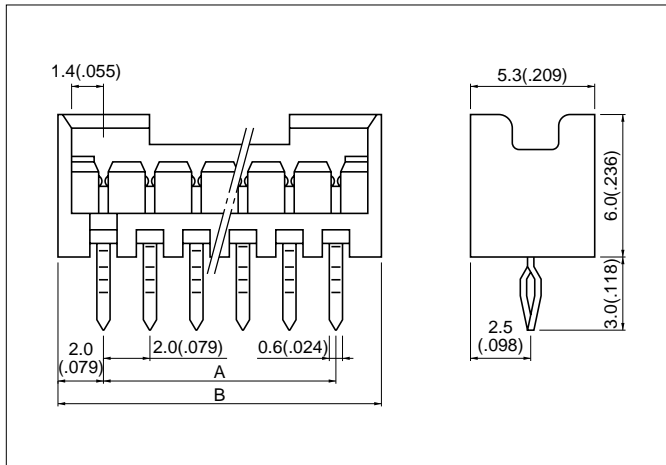


Circuits	Model No.				Dimensions mm(in.)		Q'ty / box			
	Short type	FJ-V type	FJ-L type	FJ-K type	A	B	Short type	FJ-V type	FJ-L type	FJ-K type
4	4P-FJ	—	—	—	6.0(.236)	10.0(.394)	500	—	—	—
5	—	—	05PL-FJ	05PK-FJ	8.0(.315)	12.0(.472)	—	—	250	150
6	6P-FJ	—	06PL-FJ	06PK-FJ	10.0(.394)	14.0(.551)	250	—	200	150
7	7P-FJ	—	07PL-FJ	07PK-FJ	12.0(.472)	16.0(.630)	250	—	200	100
8	8P-FJ	—	08PL-FJ	08PK-FJ	14.0(.551)	18.0(.709)	200	—	200	100
9	9P-FJ	—	—	—	16.0(.630)	20.0(.787)	200	—	—	—
10	10P-FJ	—	10PL-FJ	10PK-FJ	18.0(.709)	22.0(.866)	200	—	100	100
11	11P-FJ	11PV-FJ	—	—	20.0(.787)	24.0(.945)	200	168	—	—
12	12P-FJ	—	12PL-FJ	12PK-FJ	22.0(.866)	26.0(1.024)	100	—	100	50
13	—	13PV-FJ	—	—	24.0(.945)	28.0(1.102)	—	168	—	—
14	14P-FJ	—	14PL-FJ	14PK-FJ	26.0(1.024)	30.0(1.181)	100	—	100	50
15	—	15PV-FJ	—	—	28.0(1.102)	32.0(1.260)	—	168	—	—

Material and Finish

Contact: Phosphor bronze, tin-plated
Housing: Nylon 66, UL94V-0, white
Insulation tape: Acetate, UL510FR

Receptacle

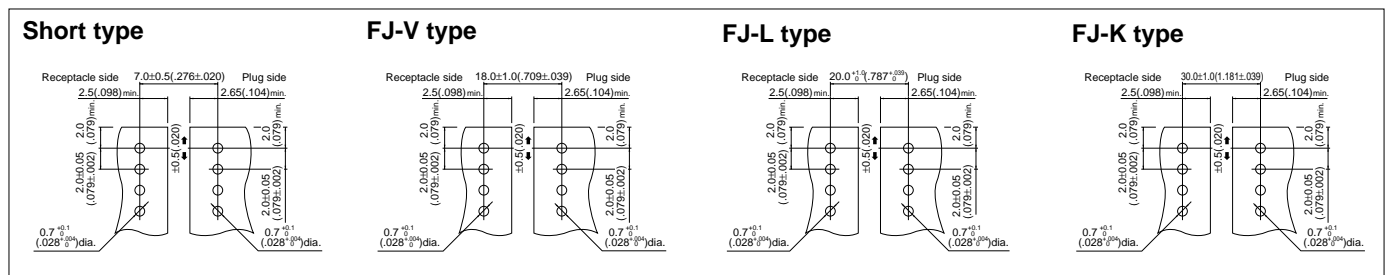


Cir- cuits	Model No.	Dimensions mm(in.)		Q'ty / box
		A	B	
4	04R-FJ	6.0(.236)	10.0(.394)	500
5	05R-FJ	8.0(.315)	12.0(.472)	500
6	06R-FJ	10.0(.394)	14.0(.551)	500
7	07R-FJ	12.0(.472)	16.0(.630)	500
8	08R-FJ	14.0(.551)	18.0(.709)	250
9	09R-FJ	16.0(.630)	20.0(.787)	250
10	10R-FJ	18.0(.709)	22.0(.866)	250
11	11R-FJ	20.0(.787)	24.0(.945)	250
12	12R-FJ	22.0(.866)	26.0(1.024)	200
13	13R-FJ	24.0(.945)	28.0(1.102)	200
14	14R-FJ	26.0(1.024)	30.0(1.181)	200
15	15R-FJ	28.0(1.102)	32.0(1.260)	200

Material and Finish

Contact: Phosphor bronze, copper-undercoated, tin/lead-plated
Housing: Nylon 66, UL94V-0, white

PC board layout (viewed from component side)



Note:

1. Tolerances are non-cumulative: $\pm 0.05\text{mm}(\pm .002")$ for all centers.
2. Hole dimensions differ according to the kind of PC board and piercing method. The dimensions above should serve as a guideline. Contact JST for details.

Assembly layout

