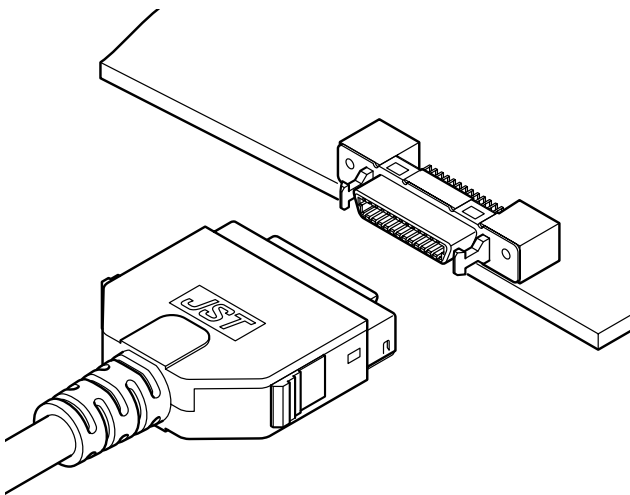


# DMX CONNECTOR

1.0mm pitch I/O connectors



The DMX connector is an I/O connector designed to connect notebook PCs or PDAs (Personal Digital Assistants).



## Features

- **Distortion preventive device**

The contacts are bellows type, which are resistant to distortion during mating and unmating.

- **One-touch locking device**

- **Insulation displacement system**

The cable is connected to the plug using the insulation displacement method. Special application tooling is available to aid assembly.

- **EMI shielding effect**

- **Embossed tape for automatic mounting**

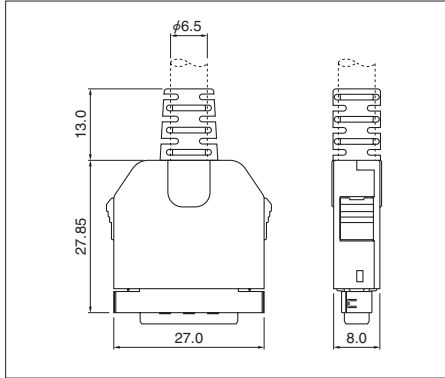
The DMX receptacle is very light, and can be packaged in embossed tape for automatic mounting.

## Specifications

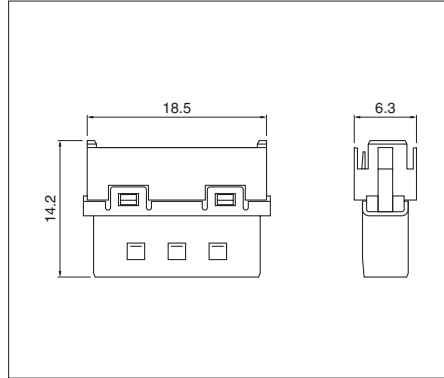
- Current rating: 0.5A AC, DC
- Voltage rating: 125V AC, DC
- Temperature range: -55°C to +85°C  
(including temperature rise in applying electrical current)
- Contact resistance: Initial value/40m  $\Omega$  max.  
After environmental testing/60m  $\Omega$  max.
- Insulation resistance: 1,000M  $\Omega$  min.
- Withstanding voltage: 500V AC/minute
- \* Compliant with RoHS.
- \* Refer to "General Instruction and Notice when using Terminals and Connectors" at the end of this catalog.
- \* Contact JST for details.

## Plug

### Plug assembly



### Plug housing

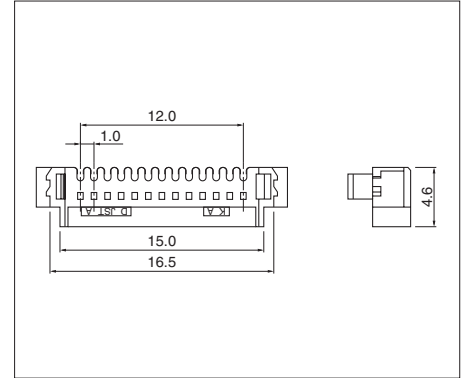


Model No.	Material and Finish
DMX-PHA26-A113-10	Contact
	Housing
	Shell

#### RoHS compliance

This product displays (LF)(SN) on a label.

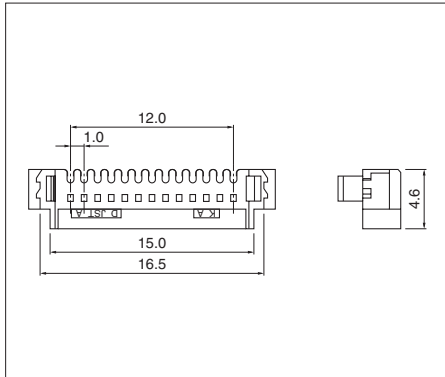
### Strain relief A



Model No.	Material
DMX-PSR26-A11A	PC, UL94V-0

#### RoHS compliance

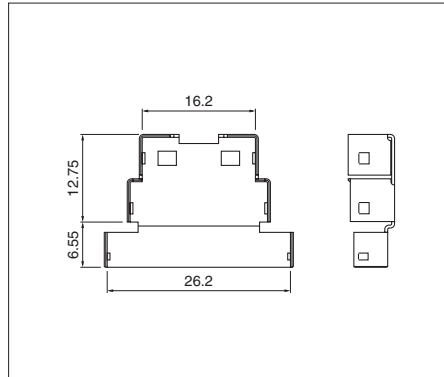
### Strain relief B



Model No.	Material
DMX-PSR26-A11B	PC, UL94V-0

#### RoHS compliance

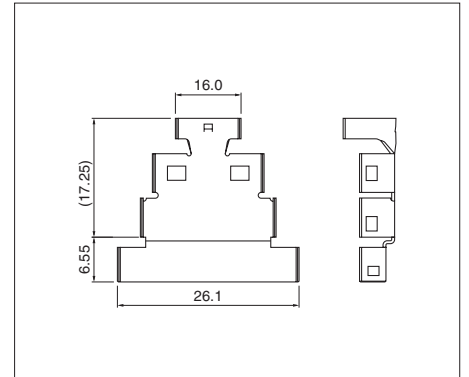
### Metal cover A



Model No.	Material
DMX-PMC26-10A	Stainless steel

#### RoHS compliance

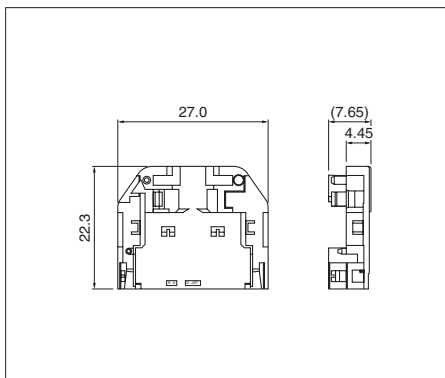
### Metal cover B



Model No.	Material
DMX-PMC26-11B	Stainless steel

#### RoHS compliance

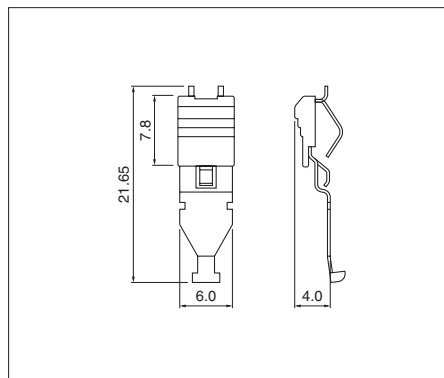
### Cover housing



Model No.	Material
DMX-PCH26-11	PC, UL94V-0

#### RoHS compliance

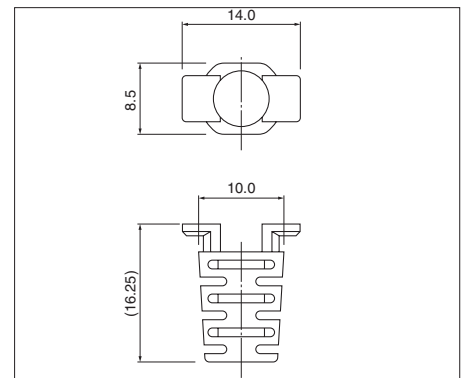
### Lock



Model No.	Material
DMX-PSLA-11	Lock button
	Metal fixture

#### RoHS compliance

### Bushing

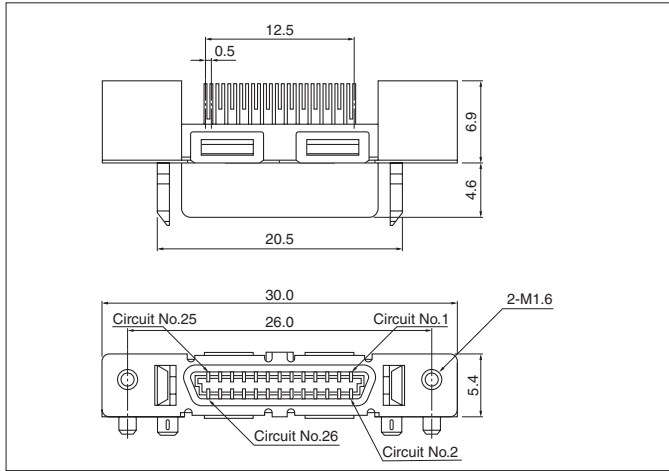


Model No.	Material
DX-P-B26-12	PVC, UL94V-0

#### RoHS compliance

# DMX CONNECTOR

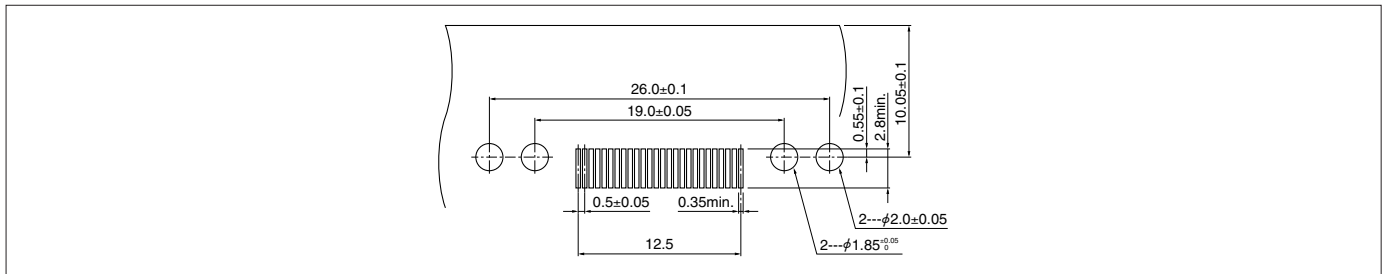
## Receptacle



Model No.	Material and Finish	Q'ty / reel
DMX-RN26S-50E-TF	Contact	Copper alloy, nickel-undercoated, ID part; gold-plated Solder tail; tin-plated (reflow treatment)
	Housing	LCP, UL94V-0
	Shell	Stainless steel
	Clamp	Steel, nickel-undercoated, tin/copper alloy-plated
		750

**RoHS compliance** This product displays (LF)(SN) on a label.

## PC board layout (viewed from component side)



Note: 1. Tolerances are non-cumulative: ±0.05mm for all centers.  
2. The dimensions above should serve as a guideline. Contact JST for details.