

Banana Plug - Uninsulated Panel Mount Screw Type, Nickel Silver Spring

SPECIFICATIONS

Plug Body: Brass per QQ-B-626D

Plug Spring: Nickel silver per QQ-C-585

Finish: Silver

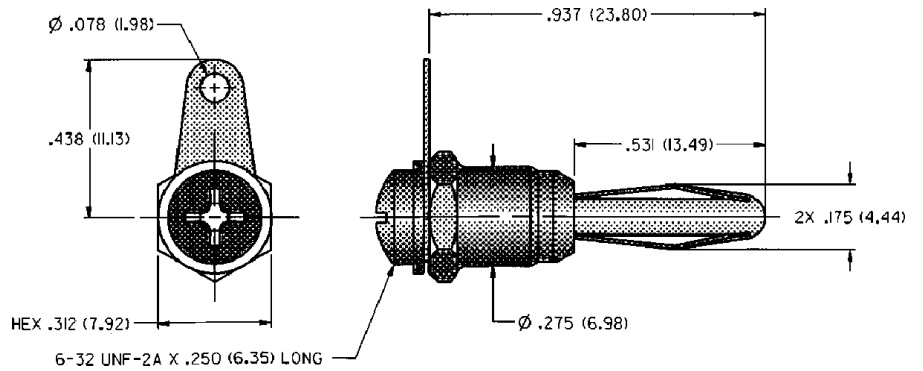
Panel Thickness: Up to .125 (3.20)

Hardware: Nickel plated screw,
stamped tin plated solder
terminal (unassembled)

RATINGS

Current: 15 amps

Contact Resistance: 0.010 ohms maximum



NICKEL PLATING

108-0753-001

For Standard Banana Jack: $.166$ (4.23) Diameter

FEATURES:

- Rugged screw type
- Stamped tin plated solder terminal with hole for up to 14 gauge wire