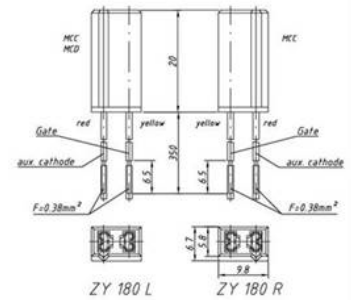




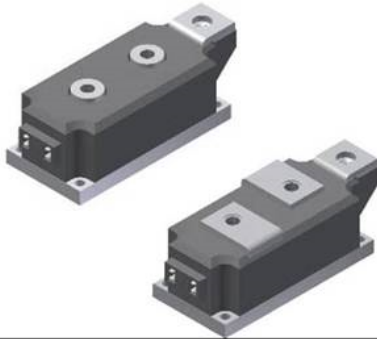
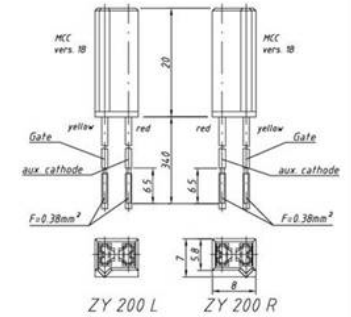
For module types MCC/MCD/MCO/MCMA  
132, 161, 162, 200, 220, 224, 225, 250, 255,  
260, 265, 310, 312, 500, 501, 700  
and MII 400 (for MCD/MCO only L-type):  
Keyed Gate Cathode twin plugs  
with wire length = 350 mm  
gate = yellow, cathode = red

Type **ZY 180 L** (L = Left for pin pair 4/5)  
Type **ZY 180 R** (R = Right for pin pair 6/7)



For module-types MCC/MCMA  
19, 25, 26, 35, 40, 44, 50, 56, 65, 72, 85, 94,  
95, 110, 120 and 140 version 1:  
Keyed Gate Cathode twin plugs with wire  
length = 350 mm;  
gate = yellow, cathode = red

Type **ZY 200 L** (L = Left for pin pair 4/5)  
Type **ZY 200 R** (R = Right for pin pair 6/7)



For ZY 180 and ZY 200: UL Styles 1385

For module types  
MCC/MCD/MDD 220, 250, 310  
Threaded spacer for higher Anode /  
Cathode construction:

Type **ZY 250** (material brass)

