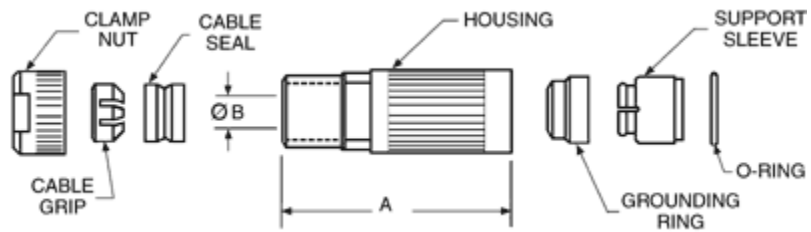
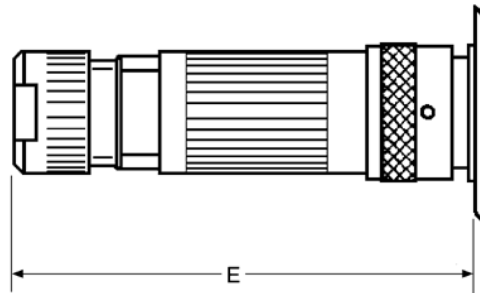
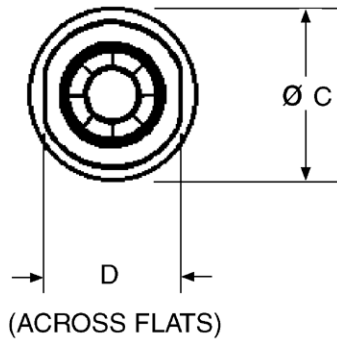




Part Number: 192993-0081



| | |
|---------------------|----------------|
| Product Family | Trident |
| Product Group | TNM, Accessory |
| Component | Accessory |
| Type of Accessory | Endbell |
| Sealed | Yes |
| Shielded | Yes |
| Packaging | Single |
| Number of Positions | 4 |
| Used Connector | TNM |
| Shell Size | 10 |

| | |
|--|--|
| | |
| Housing Material and Finish | Brass/Nickel |
| | |
| Grounding Ring Material and Finish | Brass/Nickel |
| | |
| Clamp Nut Material and Finish | Brass/Nickel |
| | |
| Cable Grip Material | Nylon, UL 94V-0 Rated |
| | |
| Support Sleeve Material | Nylon, UL 94V-0 Rated |
| | |
| O-Ring Material | Rubber |
| | |
| Environmental Sealing | Up to IP67 |
| | |
| Flammability | UL 94V-0 |
| | |
| For more information | Contact Cannon Sales Department |
| | |
| Dimension A | 56,60 (2.228) |
| | |
| Dimension B | Ø8,00 (.315) |
| | |
| Dimension C | Ø17,90 (.705) |
| | |
| Dimension D | 13,00 (.512) |
| | |
| Dimension E (Standard) | 88,50 (3.484) max. |
| | |
| Dimension E (Reversed) | 80,00 (3.150) max. |
| | |
| Nomenclature | TNA10CCSE00L |
| | |
| Minimum Cable Accommodation, Outer Sheath Diameter | Ø4,40 (.173) |
| | |
| Maximum Cable Accommodation, Outer Sheath Diameter | Ø7,30 (.287) |
| | |
| Footnote | Dimensions are in mm (inch). Dimensions are subject to change. |