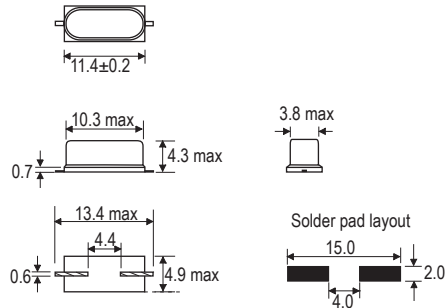


CRYSTAL DATA SHEET

Part Number + Packaging: LFX TAL033736Reel



Outline drawing; All Dimensions in mm

Frequency	10.111000MHz
Holder	HC49/4HSMX
Frequency Tolerance @ 25°C	±30ppm
Frequency Stability	±50ppm
Operating Temperature Range	0 to 50°C
Load Capacitance, CL	30pF
Overtone Order	Fundamental
ESR	40Ω max
Drive Level	0.5mW max
Ageing	±5ppm typical per year
Storage Temperature Range	-55 to 125°C
RoHS Status	RoHS Compliant
Packaging	Tape and Reel
Additional Information	Please note: This document is based on a standard IQD Data Sheet; as such it is correct at the time of printing. Please contact our Sales department for a copy of the most up to date Specification Sheet.
Customer Part Number	
Previously Known As	LFX TAL034698

Page: 1 of 1

Date	27th May 2010				
Checked					