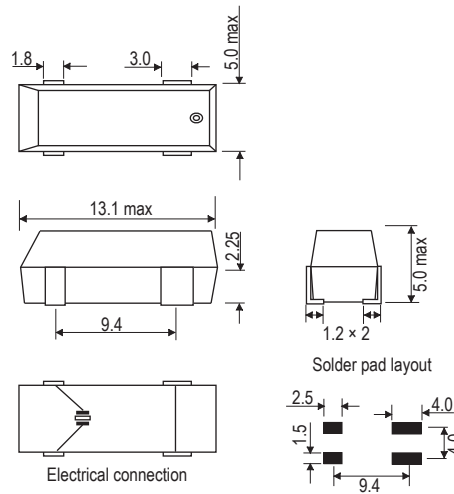


# CRYSTAL DATA SHEET

Part Number: LF XTAL031346



Outline drawing; All Dimensions in mm

Frequency	24.576000MHz
Holder	86SMX
Frequency Tolerance @ 25°C	±30ppm
Frequency Stability	±30ppm
Operating Temperature Range	-10 to 60°C
Load Capacitance, CL	12pF
Overtone Order	Fundamental
ESR	25Ω max
Drive Level	100μW
Storage Temperature Range	-40 to 90°C
RoHS Status	RoHS Compliant
Packaging	Bulk
Additional Information	Please note: This document is based on a standard IQD Data Sheet; as such it is correct at the time of printing. Please contact our Sales department for a copy of the most up to date Specification Sheet.
Customer Part Number	

Page: 1 of 1

Date	22nd October 2009				
Checked					