



### Description

- Industry standard SMD crystal  
Resistance welded, hermetically sealed in an inert atmosphere, glass to metal seals on leads. Lead wires are mounted onto a plastic former to create a gull wing mount
- Model: HC49/4HSMX
- Model Issue number: 17

### Frequency Parameters

- Frequency: 10.0MHz
- Frequency Tolerance @ 25°C: ±30.00ppm
- Frequency Stability: ±50.00ppm
- Operating Temperature Range: -10.00 to 60.00°C
- Overtone Order: Fundamental
- Ageing: ±5ppm typ per year @ 25°C

### Electrical Parameters

- Load Capacitance (CL): 16.00pF
- Shunt Capacitance (Co): 7pF max
- Drive Level: 500µW max
- ESR: 40Ω max

### Environmental Parameters

- Shock: 981m/s<sup>2</sup>, 6ms, 3 times in each of 3 mutually perpendicular planes
- Vibration: 10Hz-60Hz, 0.75mm amplitude, 60Hz-500Hz, 98.1m/s<sup>2</sup>, 30mins in 3 mutually perpendicular planes
- Storage Temperature Range: -55 to 125°C

### Compliance

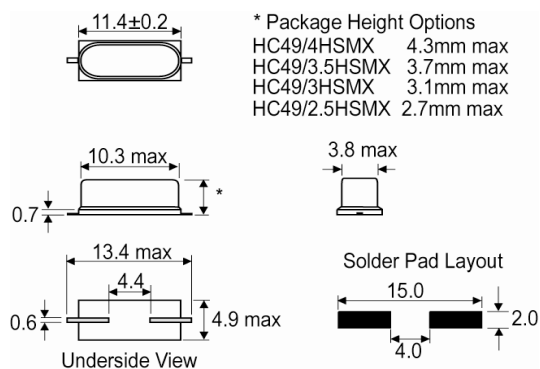
- RoHS Status: Compliant
- REACH Status: Compliant

### Packaging

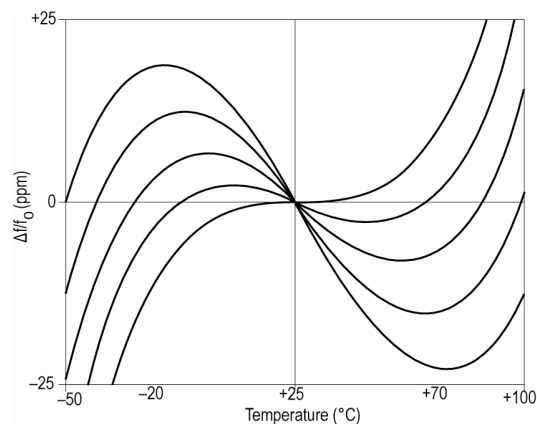
- Pack Type: Bulk  
Pack Size: 100
- Alternative packing option available  
*This document is correct at the time of printing; please contact your local office for the latest version.*



### Outline (mm)



### Typical Frequency vs Temperature Curves for various



### Sales Office Contact Details:

UK: +44 (0)1460 270200  
Germany: +49 (0)7264 9145-0

France: +33 (0)5 34 50 91 18  
USA: +1 (0) 408 455 2426

Email: [info@iqdfrequencyproducts.com](mailto:info@iqdfrequencyproducts.com)  
Web: [www.iqdfrequencyproducts.com](http://www.iqdfrequencyproducts.com)