



Customer Part: SPX0019948

**Description**

- Standard 7 x 5 crystal oscillator  
Ceramic package with a seam sealed metal lid, hermetically sealed
- Model **CFPS-73**
- Model Issue number **12**

**Frequency Parameters**

- Frequency **32.0MHz**
- Frequency Tolerance @ 25°C **INCLUSIVE**
- Frequency Stability **±50.00ppm**
- Operating Temperature Range **-40.00 to 85.00°C**
- Ageing **±3ppm per year max**

**Electrical Parameters**

- Supply Voltage **3.3V**
- Supply Voltage Tolerance **±10%**
- Current Draw **20mA max**

**Output Details**

- Output Compatibility **HCMOS**
- Output Load **50pF max**
- Rise and Fall time (20% - 80%) **10ns max**
- Duty Cycle **45/55**

**Output Control**

- Logic '1' (>70% VS) to pad 1 enables oscillator output  
Logic '0' (<30% VS) to pad 1 disables oscillator output; the oscillator output goes to the high impedance state  
No connection to pad 1 enables oscillator output  
Standby Current: 10µA max

**Environmental Parameters**

- Shock: MIL-STD-202, Method 213, Condition E
- Vibration: MIL-STD-883, Method 2007, Condition A
- Storage Temperature Range: -55 to 125°C

**Compliance**

- RoHS Status **Compliant**
- REACH Status **Compliant**

**Packaging**

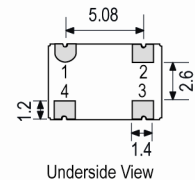
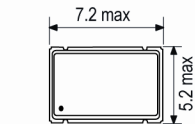
- Pack Type: Reel **Tape and reel in accordance with EIA-481-D**
- Pack Size **1,000**

Alternative packing option available

*This document is correct at the time of printing; please contact your local office for the latest version.*

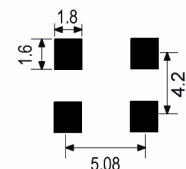


**Outline (mm)**

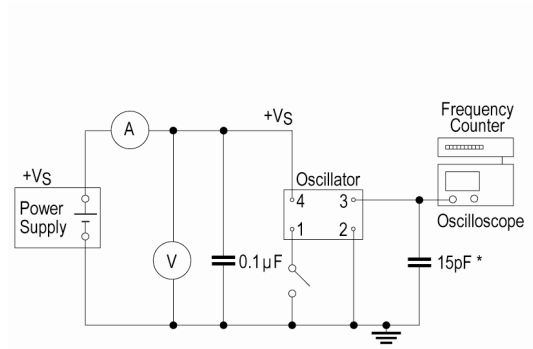


- Pad Connections
- Standby Operation
  - GND
  - Output
  - +VS

**Solder Pad Layout**



**Test Circuit**



\* Inclusive of jigging and equipment capacitance

**Sales Office Contact Details:**

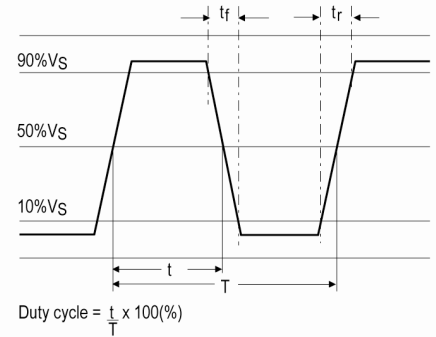
UK: +44 (0)1460 270200  
Germany: +49 (0)7264 9145-0

France: +33 (0)5 34 50 91 18  
USA: +1 (0) 408 455 2426

Email: [info@iqdfrequencyproducts.com](mailto:info@iqdfrequencyproducts.com)  
Web: [www.iqdfrequencyproducts.com](http://www.iqdfrequencyproducts.com)



**Wave Form**



**Sales Office Contact Details:**

UK: +44 (0)1460 270200

Germany: +49 (0)7264 9145-0

France: +33 (0)5 34 50 91 18

USA: +1 (0) 408 455 2426

Email: [info@iqdfrequencyproducts.com](mailto:info@iqdfrequencyproducts.com)

Web: [www.iqdfrequencyproducts.com](http://www.iqdfrequencyproducts.com)