



Customer Part: SPX0017708

**Description**

- Standard 7 x 5 crystal oscillator  
Ceramic package with a seam sealed metal lid, hermetically sealed
- Model: CFPS-73
- Model Issue number: 12

**Frequency Parameters**

- Frequency: 60.0MHz
- Frequency Tolerance @ 25°C: INCLUSIVE
- Frequency Stability: ±50.00ppm
- Operating Temperature Range: 0.00 to 70.00°C
- Ageing: ±3ppm per year max

**Electrical Parameters**

- Supply Voltage: 3.3V
- Supply Voltage Tolerance: ±10%
- Current Draw: 25mA max

**Output Details**

- Output Compatibility: HCMOS
- Output Load: 50pF max
- Rise and Fall time (20% - 80%): 8ns max
- Duty Cycle: 45/55

**Output Control**

- Logic '1' (>70% VS) to pad 1 enables oscillator output
- Logic '0' (<30% VS) to pad 1 disables oscillator output; the oscillator output goes to the high impedance state
- No connection to pad 1 enables oscillator output
- Standby Current: 10µA max

**Environmental Parameters**

- Shock: MIL-STD-202, Method 213, Condition E
- Vibration: MIL-STD-883, Method 2007, Condition A
- Storage Temperature Range: -55 to 125°C

**Compliance**

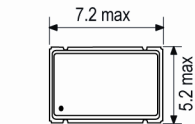
- RoHS Status: Compliant
- REACH Status: Compliant

**Packaging**

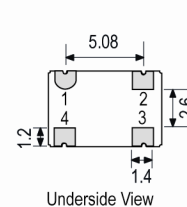
- Pack Type: Reel  
Tape and reel in accordance with EIA-481-D
- Pack Size: 1,000
- Alternative packing option available  
*This document is correct at the time of printing; please contact your local office for the latest version.*



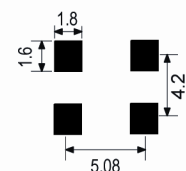
**Outline (mm)**



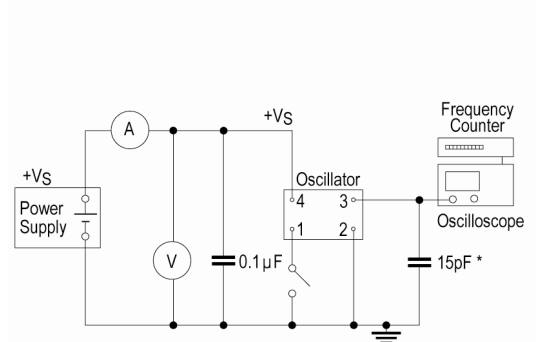
- Pad Connections
- Standby Operation
  - GND
  - Output
  - +VS



**Solder Pad Layout**



**Test Circuit**



\* Inclusive of jigging and equipment capacitance

**Sales Office Contact Details:**

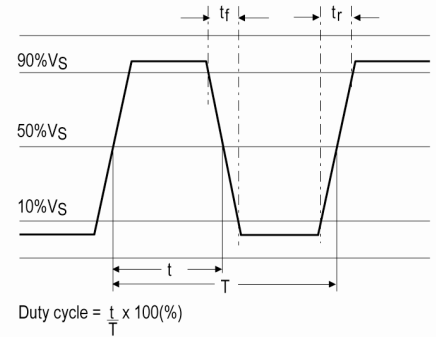
UK: +44 (0)1460 270200  
Germany: +49 (0)7264 9145-0

France: +33 (0)5 34 50 91 18  
USA: +1 (0) 408 455 2426

Email: [info@iqdfrequencyproducts.com](mailto:info@iqdfrequencyproducts.com)  
Web: [www.iqdfrequencyproducts.com](http://www.iqdfrequencyproducts.com)



**Wave Form**



**Sales Office Contact Details:**

UK: +44 (0)1460 270200

Germany: +49 (0)7264 9145-0

France: +33 (0)5 34 50 91 18

USA: +1 (0) 408 455 2426

Email: [info@iqdfrequencyproducts.com](mailto:info@iqdfrequencyproducts.com)

Web: [www.iqdfrequencyproducts.com](http://www.iqdfrequencyproducts.com)