



Customer Part: SPXO009444

Description

- Standard 7 x 5 crystal oscillator
Ceramic package with a seam sealed metal lid, hermetically sealed
- Model CFPS-72
- Model Issue number 12

Frequency Parameters

- Frequency 80.0MHz
- Frequency Tolerance @ 25°C INCLUSIVE
- Frequency Stability ±50.00ppm
- Operating Temperature Range 0.00 to 70.00°C
- Ageing ±3ppm per year max

Electrical Parameters

- Supply Voltage 5.0V
- Supply Voltage Tolerance ±10%
- Current Draw 70mA max

Output Details

- Output Compatibility HCMOS/TTL
- Output Load 50pF max
- Rise and Fall time (20% - 80%) 6ns max
- Duty Cycle 45/55

Output Control

- Standby Operation
Logic '1' (>70% VS) to pad 1 enables oscillator output
Logic '0' (<30% VS) to pad 1 disables oscillator output; the oscillator output goes to the high impedance state
No connection to pad 1 enables oscillator output
Standby Current: 10µA max

Environmental Parameters

- Shock: MIL-STD-202, Method 213, Condition E
- Vibration: MIL-STD-883, Method 2007, Condition A
- Storage Temperature Range: -55 to 125°C

Compliance

- RoHS Status Compliant
- REACH Status Compliant

Packaging

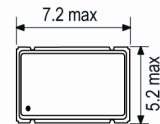
- Pack Type: Reel Tape and reel in accordance with EIA-481-D
- Pack Size 1,000

Alternative packing option available

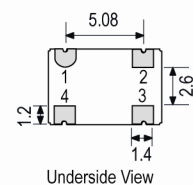
This document is correct at the time of printing; please contact your local office for the latest version.



Outline (mm)

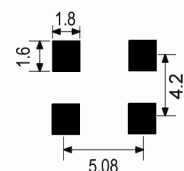


- Pad Connections
- Standby Operation
 - GND
 - Output
 - +VS

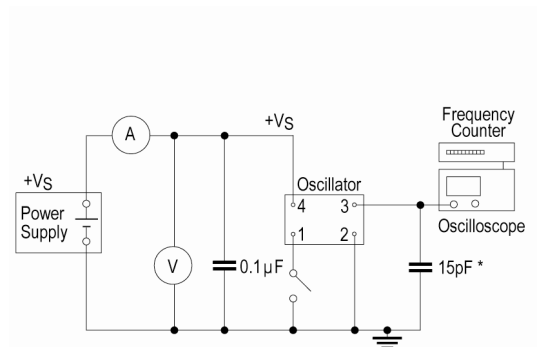


Underside View

Solder Pad Layout



Test Circuit



* Inclusive of jigging and equipment capacitance

Sales Office Contact Details:

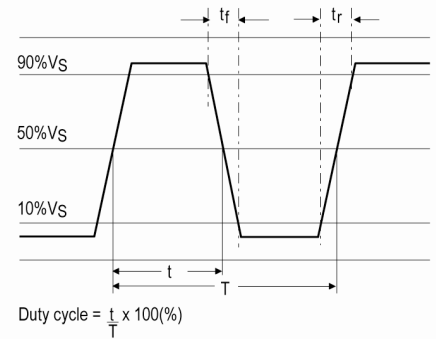
UK: +44 (0)1460 270200
Germany: +49 (0)7264 9145-0

France: +33 (0)5 34 50 91 18
USA: +1 (0) 408 455 2426

Email: info@iqdfrequencyproducts.com
Web: www.iqdfrequencyproducts.com



Wave Form



Sales Office Contact Details:

UK: +44 (0)1460 270200

Germany: +49 (0)7264 9145-0

France: +33 (0)5 34 50 91 18

USA: +1 (0) 408 455 2426

Email: info@iqdfrequencyproducts.com

Web: www.iqdfrequencyproducts.com