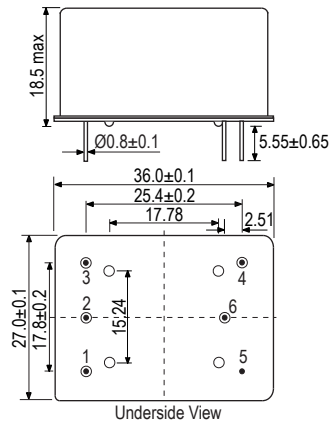


OSCILLATOR SPECIFICATION

Part Number + Packaging: **LFOCXO053629Bulk**

Model: IQOV-70-8



- Pin Connection
1. Voltage Control
 2. V-ref
 3. +Vs
 4. Output
 5. GND
 6. Oven Alarm



Outline drawing; All Dimensions in mm

Frequency	38.40MHz
Holder	36 x 27mm
Frequency Tolerance @ 25°C	±100ppb max
Frequency Stability vs Operating Temperature Range	±10ppb max
Operating Temperature Range	-10 to 75°C
Operable Temperature Range	-20 to 85°C
Ageing (after 30 days continuous operation)	±0.5ppb max per day ±30ppb max per year
Supply Voltage Variation (@ ±6% change)	±1ppb max
Load Variation (@ ±5% change)	±1ppb max
Supply Voltage	3.3V ±6%
Current Consumption	909mA max @ 25°C steady state 909mA max during warm-up
Pullability	±500ppb min to ±800ppb max
Tuning Sensitivity (Fo ±ppm)	300ppb/V min, 450ppb/V typ, 600ppb/V max
Voltage Control	1.4V ±1.4V
Input Impedance	100kΩ min
Linearity	±5% max
Modulation Bandwidth (3dB)	2Hz to 10Hz
Output Compatibility	HCMOS
Output Load	10kΩ//15pF
Rise/Fall Time	2ns max between 0.2V and 2.4V
Duty Cycle	45/55% max
Output Levels	Output Low: 0.2V max Output High: 2.4V min

Page 1 of 2

Phase Noise	-60dBc/Hz max @ 1Hz -100dBc/Hz max @ 10Hz -125dBc/Hz max @ 100Hz -130dBc/Hz max @ 1kHz -138dBc/Hz max @ 10kHz
Voltage Reference (4mA max)	2.72V min to 2.88V max
Oven Alarm	2.4V min heater OK, 0.2V max heater defective
Nominal Frequency Reference Reference Voltage Control	25°C 1.4V
Attenuation of Sub-harmonics	30dB min
Storage Temperature Range	-45 to 100°C
Packaging	Bulk
RoHS Status	RoHS Compliant
Marking Includes	IQD FOQ, Model, Frequency, Date Code

Page: 2 of 2

Issue	1				
Date	26th May 2011				
Eng. Approval					
QA Approval					

Please note that, if required, IQD can vary all the parameters of this product to better suit your application, please contact our sales team for more details.