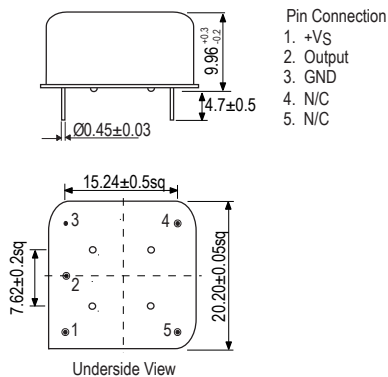


OSCILLATOR SPECIFICATION

Part Number + Packaging: **LFOCXO053593Bulk**

Model: IQOV-50-7



- Pin Connection
1. +Vs
 2. Output
 3. GND
 4. N/C
 5. N/C

Outline drawing; All Dimensions in mm

Frequency	12.288MHz
Holder	20.2 x 20.2mm
Frequency Tolerance @ 25°C	±500ppb max
Frequency Stability vs Operating Temperature Range	±100ppb max
Operating Temperature Range	-20 to 70°C
Ageing (after 30 days continuous operation)	±10ppb max per day, ±200ppb max after 1st year
Load Variation (@ ±5% change)	±10ppb max
Supply Voltage Variation (@ ±5% change)	±10ppb max
Supply Voltage	5.0V ±5%
Current Consumption	250mA max @ 25°C steady-state, 500mA max during warm-up
Output Compatibility	HCMOS
Output Load	10kΩ//15pF
Output Levels	Output Low: 0.5V max, Output High 4.5V min
Rise / Fall Time	10ns max (10% to 90%)
Duty Cycle	40/60% max
Phase Noise (typical)	-75dBc/Hz @ 1Hz -100dBc/Hz @ 10Hz -125dBc/Hz @ 100Hz -140dBc/Hz @ 1kHz
Short Term Stability	1x10e-10 max
Nominal Frequency Reference Temperature	25°C ±3°C
Warm-Up Time @ 25°C	5min max (until 1 hour frequency drift ±100ppb max)
Storage Temperature Range	-40 to 85°C
Packaging	Bulk
RoHS Status	RoHS Compliant
Marking Includes	IQD FOQ, Model, Frequency, Date Code

Page: 1 of 1

Issue	1			
Date	26th May 2011			
Eng. Approval				
QA Approval				