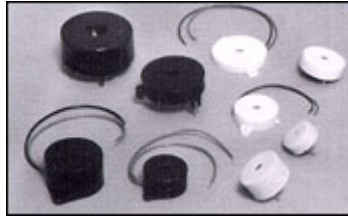


Part Number: BRP4016P-30

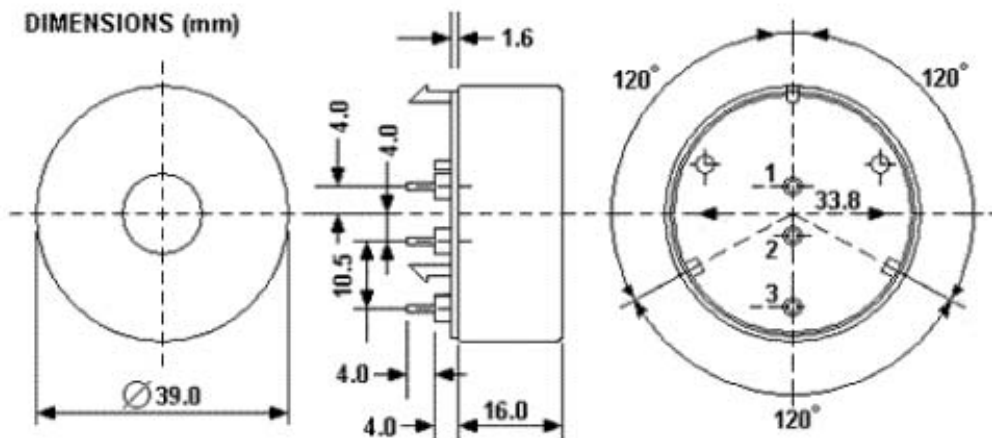
SELF-DRIVE PIEZO ELECTRIC



AVAILABLE ROHS COMPLIANT UPON REQUEST

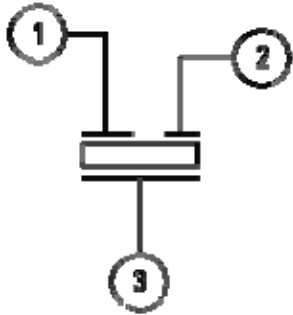
SPECIFICATIONS:

RATED VOLTAGE:	30 Vp-p
SOUND OUTPUT LEVEL:	95dB @30CM
TERMINAL TYPE:	3 PINS
RESONANT FREQUENCY:	3200 ± 500 Hz
OPERATING TEMPERATURE:	-20 TO +60 °C
ELECTROSTATIC CAPACITY:	30,000 ± 30%
FRAME DIAMETER:	40.0 mm
FRAME DEPTH:	16.0 mm
MOUNTING DIMENSIONS:	See Diagram



SCHEMATIC DIAGRAM:

CONFIGURATION



DRIVE CIRCUIT

