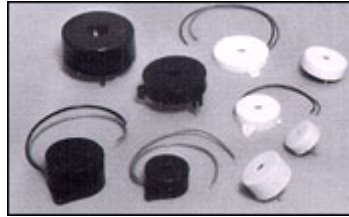


Part Number – BRP3018L-12-C

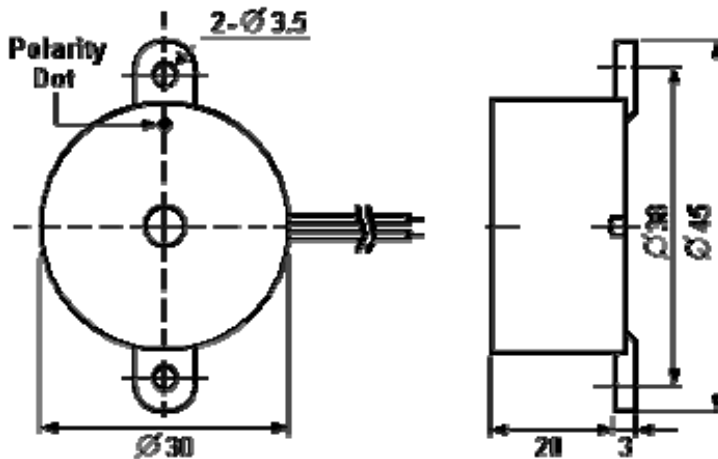
PIEZO ELECTRIC ALARM WITH INTERNAL CIRCUITRY



SPECIFICATIONS:

RATED VOLTAGE:	12 VDC
OPERATING VOLTAGE:	3 ~ 15 VDC
MAX CURRENT:	10 mA
SOUND OUTPUT LEVEL:	90dB @30CM
TERMINAL TYPE:	2 LEADWIRES
RESONANT FREQUENCY:	2000 ± 500 Hz
OPERATING TEMPERATURE:	-10 TO +60 °C
-tone MODE:	CONTINUOUS
FRAME DIAMETER:	30.0 mm
FRAME DEPTH:	20.0 mm
MOUNTING DIMENSIONS:	38.0 mm

DIMENSIONS:



Weight: 10.5 gms

FREQUENCY RESPONSE:

SOUND LEVEL at 30 cm

