



International Components Corporation

Tel: 631-952-9595 • 800-645-9154 • Fax: 631-952-9597 • Email: oemsales@icc107.com



SHIELDED LOW LEAKAGE OVAL SPEAKER

Part Number: S20X35VFS-2W

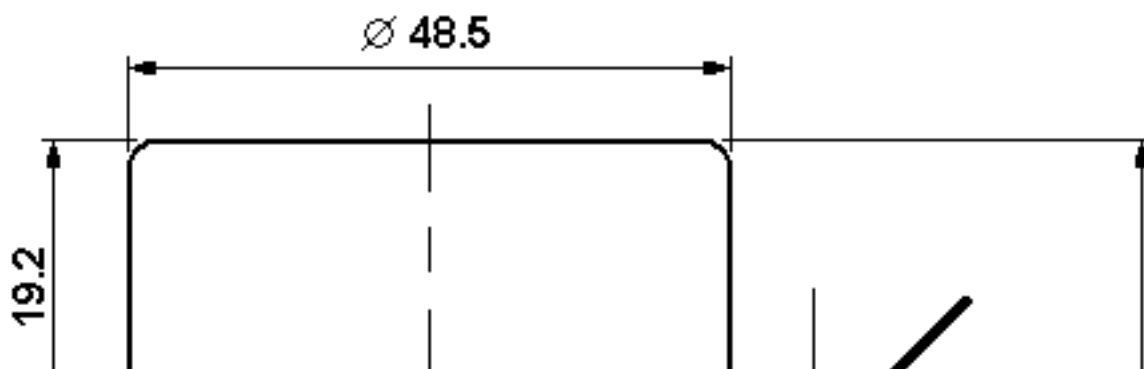
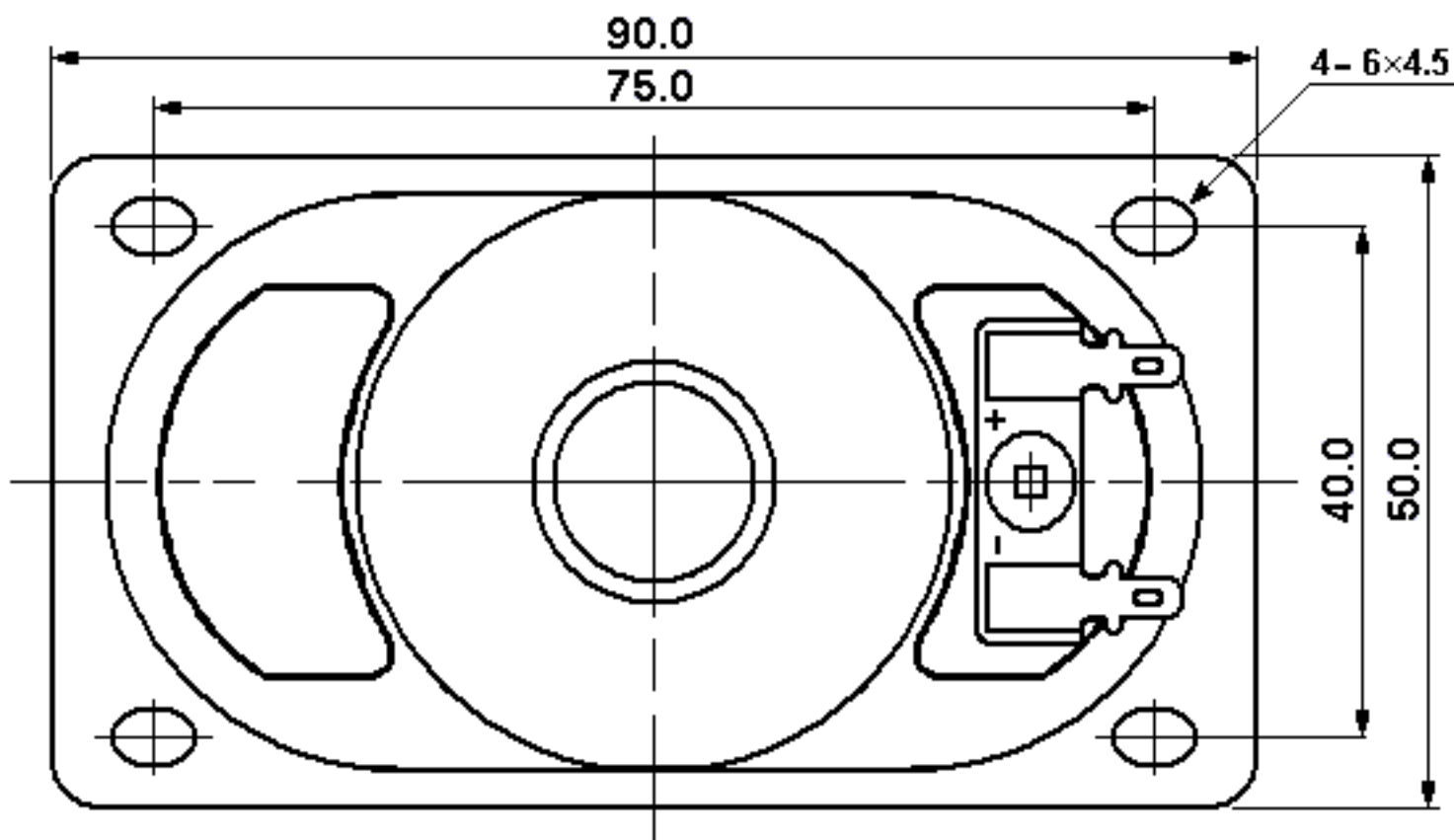
MODEL NUMBER	S20X35VFS-2W
FRAME DIAMETER (MM)	50 x 90
FRAME DEPTH (MM)	37.5
MATERIAL: CONE / FRAME	PAPER / METAL
MAGNET TYPE	FERRITE
MAGNET: SIZE (MM) / WEIGHT (OUNCES/GRAMS)	32 x 18 x 6 - 0.65 / 16.49
RATED POWER (WATTS): Nom. / Max.	2 / 5
VOICE COIL IMPEDANCE (OHMS)	8 ± 15% @ 600 Hz 1V
RESONANT FREQUENCY (Hz) Without Baffle	200 ± 20%
FREQUENCY RESPONSE (Hz)	Fo - 20,000 ± 20 dB
OUTPUT SOUND PRESSURE LEVEL (S.P.L.)	83 ± 2 dB
MEASURED AT:	1W @ 100CM
MEAN VALUE AT:	400, 500, 600, 800 Hz
OPERATION (MUST BE NORMAL)	PROGRAM SOURCE 1 W
BUZZ & RATTLES (MUST BE NORMAL)	MUST NOT BE PRESENT @ 4V CONSTANT
DISTORTION @ RATED POWER INPUT	5% MAXIMUM @ 600 Hz 2 W 100 CM
LOAD TEST (WHITE NOISE)	2 W 8 HRS - USE EIA FILTER
HUMIDITY TEST*	40°C 90~95% R.H. 8 HRS

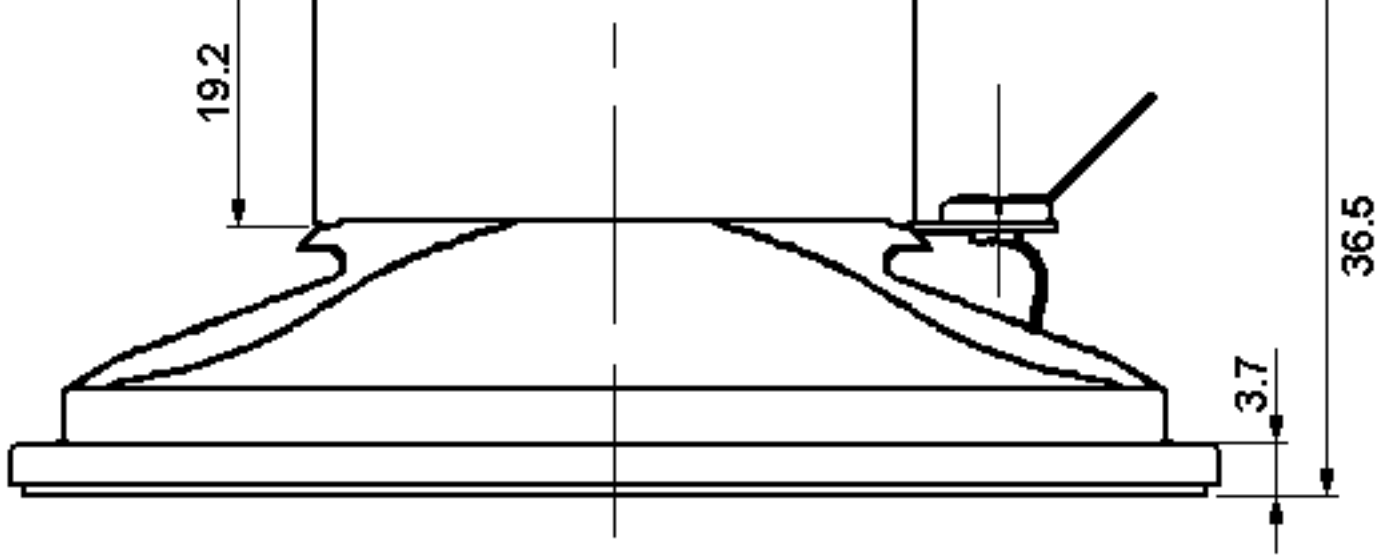
HEAT TEST*	70°C - % R.H. 8 HRS
OUTSIDE DIAMETER OF YOKE SEAT (MM)	38.5 - VOICE COIL: 14.33
OUTSIDE DIAMETER (ELIMINATE RIM)	42.5 x 82
BAFFLE OPENING (MM)	N/A
THICKNESS OF RIM (MM)	3.7
NET WEIGHT (OUNCES)	3.96 / 112.22
MOUNTING DIMENSIONS/DIAGONAL (MM)	40 x 75 - HOLE SIZE: 6 x 4.5

POLARITY:
DIAPHRAGM SHALL MOVE FORWARD WHEN APPLYING A POSITIVE DC CURRENT TO THE "+" (OR MARKED) TERMINAL.

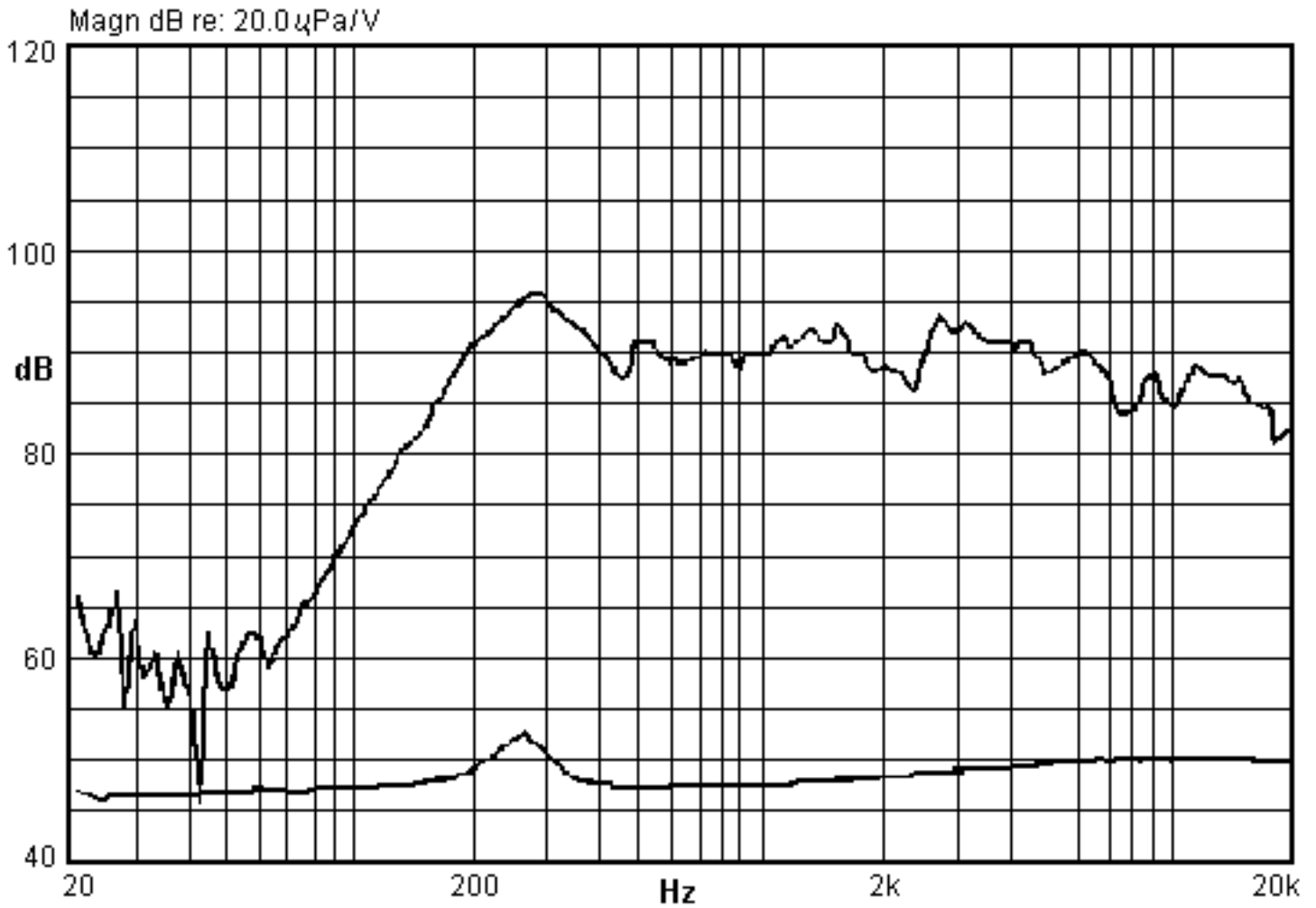
*SPEAKER MUST MEET NORMAL OPERATION AND BUZZ & RATTLES SPECIFICATIONS

■ DIMENSIONS





■ TYPICAL FREQUENCY RESPONSE CURVE



All contents are Copyright © 1999 by International Components Corporation, All rights reserved.
This site was developed and is maintained by Promptweb.com. For information, concerns or comments send e-mail to the [webmaster. \(webmaster@pw2.com\)](mailto:webmaster@pw2.com)
