



International Components Corporation

Tel: 631-952-9595 • 800-645-9154 • Fax: 631-952-9597 • Email: oemsales@icc107.com



SHIELDED LOW LEAKAGE OVAL SPEAKER

Part Number: S11X16VNS

MODEL NUMBER	S11X16VNS
FRAME DIAMETER (MM)	28.5 x 40
FRAME DEPTH (MM)	11.3
MATERIAL: CONE / FRAME	PAPER / ABS
MAGNET TYPE	RARE EARTH
MAGNET: SIZE (MM) / WEIGHT (OUNCES/GRAMS)	12.5 x 1.8 - 0.06 / 1.7
RATED POWER (WATTS): Nom. / Max.	1 / 2
VOICE COIL IMPEDANCE (OHMS)	8 ± 15% @ 1500 Hz 1V
RESONANT FREQUENCY (Hz) Without Baffle	390 ± 20%
FREQUENCY RESPONSE (Hz)	250 ~ 20,000 ± 10 dB
OUTPUT SOUND PRESSURE LEVEL (S.P.L.)	82 ± 3 dB
MEASURED AT:	1W @ 0.5M
MEAN VALUE AT:	600, 800, 1K, 1.2K Hz
OPERATION (MUST BE NORMAL)	PROGRAM SOURCE 1 W
BUZZ & RATTLES (MUST BE NORMAL)	TESTED BY 2.83 VOLTS
DISTORTION @ RATED POWER INPUT	5% MAXIMUM @ 1,000 Hz
LOAD TEST (WHITE NOISE)	WEIGHTED FILTER 2.83 V (RMS) 24 HRS
HUMIDITY TEST*	40° ± 2°C 90% R.H. 96 HRS

HEAT TEST*	40° ± 2°C 50% R.H. 96 HRS
OUTSIDE DIAMETER OF YOKE SEAT (MM)	N/A
OUTSIDE DIAMETER (ELIMINATE RIM)	N/A
BAFFLE OPENING (MM)	26 x 38
THICKNESS OF RIM (MM)	3
NET WEIGHT (OUNCES)	0.42 / 12
MOUNTING DIMENSIONS/DIAGONAL (MM)	22 x 33.5 - HOLE SIZE: 3 ± 0.2

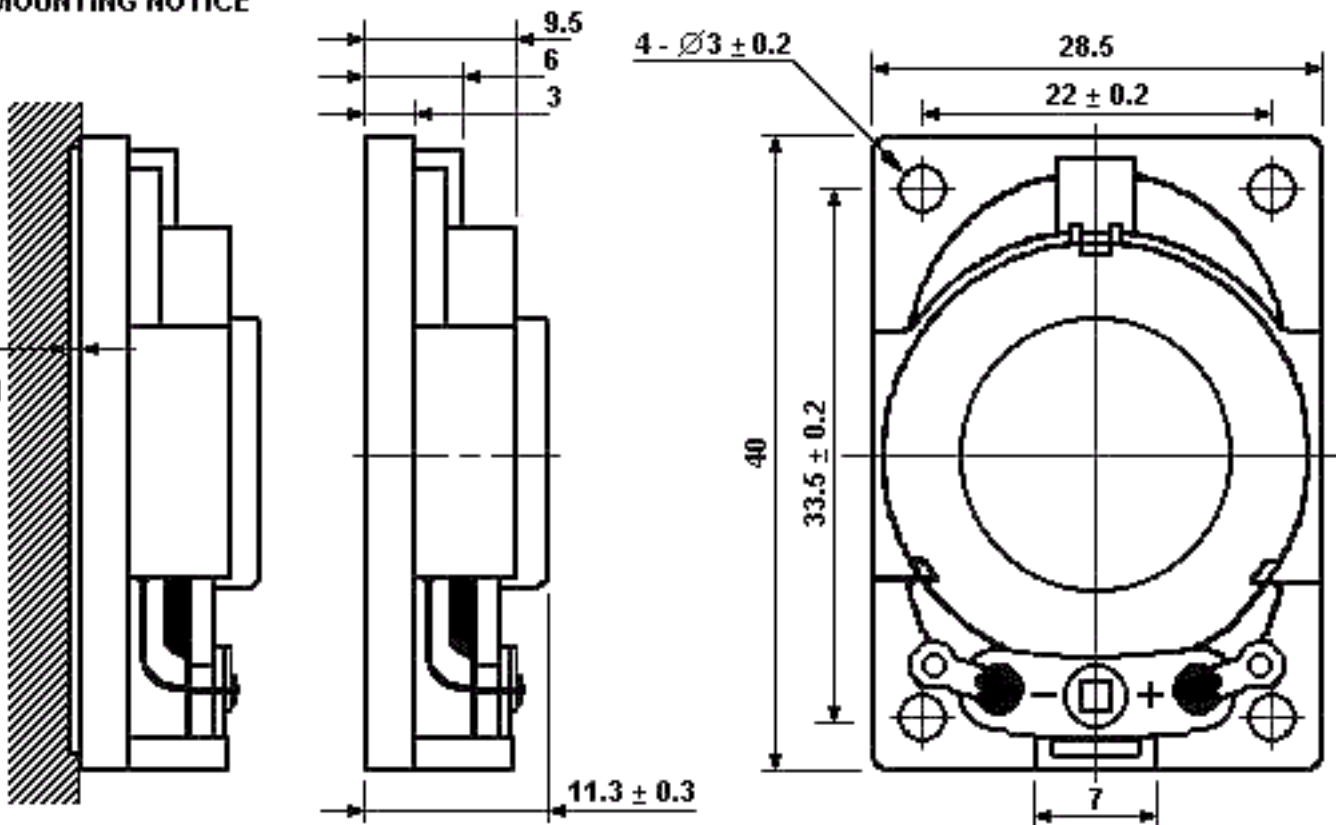
POLARITY:
DIAPHRAGM SHALL MOVE FORWARD WHEN APPLYING A POSITIVE DC CURRENT TO THE "+" (OR MARKED) TERMINAL.

*SPEAKER MUST MEET NORMAL OPERATION AND BUZZ & RATTLES SPECIFICATIONS

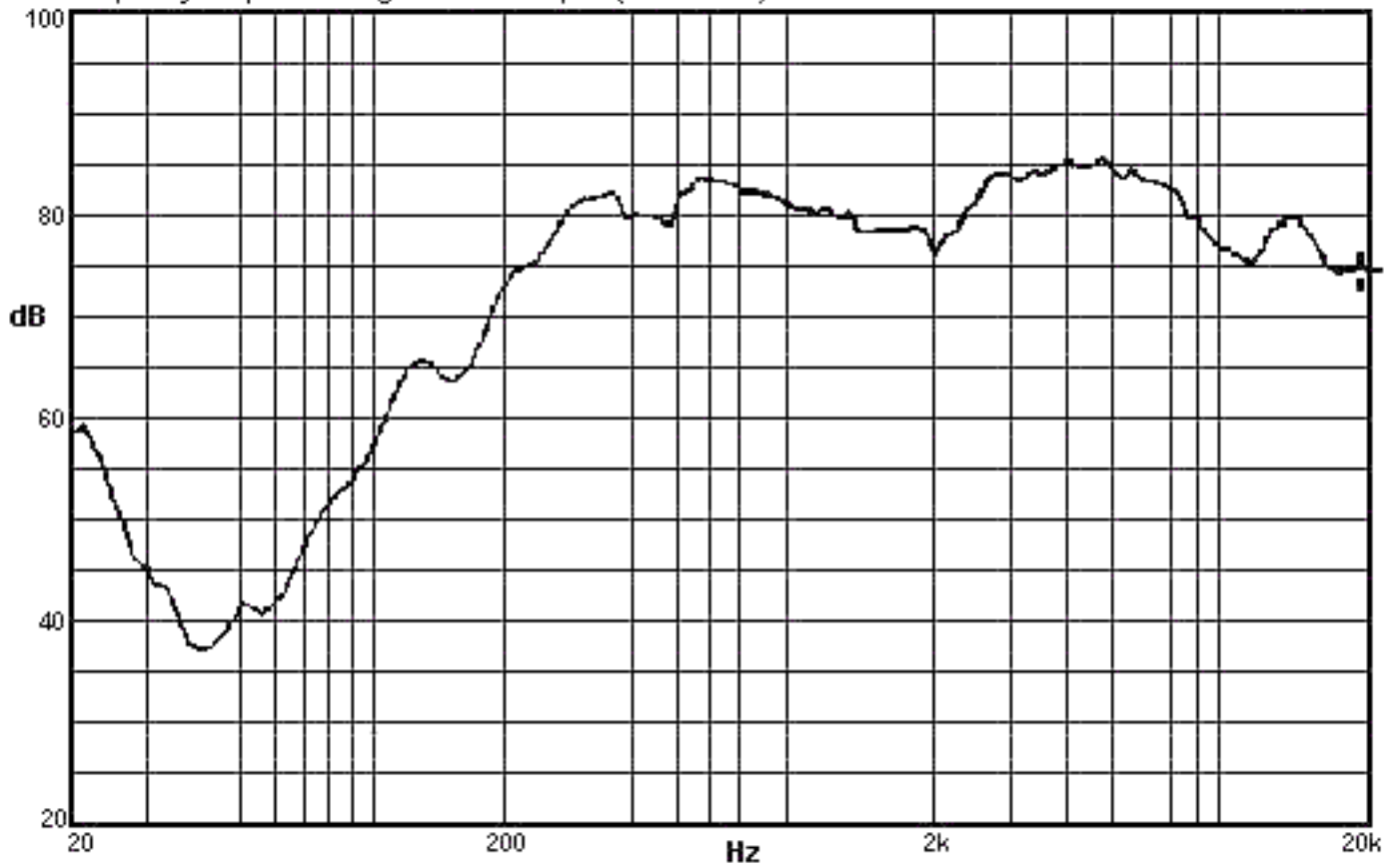
■ DIMENSIONS

MOUNTING NOTICE

AT LEAST
0.6 mm
FOR
DIAPHRAGM
MOVING



■ TYPICAL FREQUENCY RESPONSE CURVE



Impedance: 8 1500 Hz. 2.83 V
Fo: 390 Hz 2.83 V
X: 19.000kHz *Y: 75.10 dB

S.P.L.: 82 dB 1 W 0.5 M
S.P.L average of 600, 800, 1000, 1200 Hz
ZA: Live Curve SSR Fund

[Return to top](#)