

**SURFACE MOUNT ELECTRO-ACOUSTIC TRANSDUCER**



**ROHS COMPLIANT**

**PART NUMBER:** **BRT0904SM-01-GW**

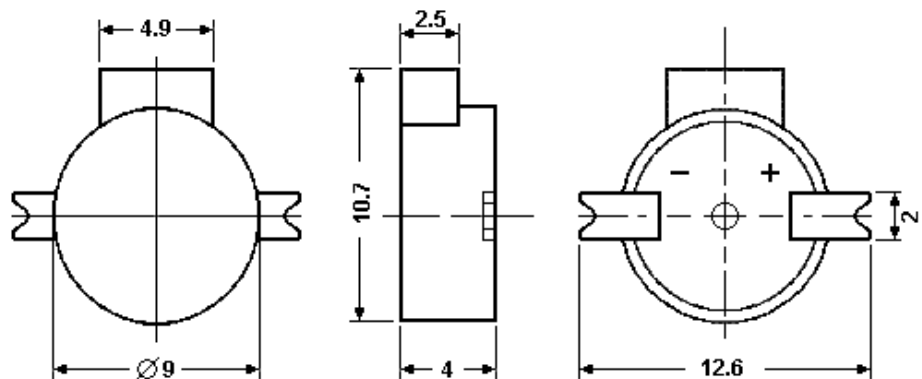
**SPECIFICATIONS:**

RATED VOLTAGE (VDC):	1.5 VDC
OPERATING VOLTAGE (VDC):	1.2 ~ 1.7
MAX CURRENT (mA)*:	90 mA
COIL RESISTANCE (OHMS):	6 ± 1
SPL OUTPUT (dB) MIN @ 10 CM *:	85dB @ 10
RESONANT FREQUENCY (Hz)*:	2731 Hz
OPERATING TEMPERATURE (°C):	-20 TO +60 °C
FRAME DIAMETER (MM):	9.0 mm
FRAME DEPTH (MM):	4.0 mm

**COMMENTS:**

\*VALUE APPLYING RATED VOLTAGE (RESONANT FREQUENCY,

**DIMENSIONS:**



**FREQUENCY RESPONSE:**

**dB** A: Frequency Response, Magn dB re: 20.00  $\mu$ Pa / V Mode: SSR  
x=2.7200kHz Y=95.06 dB ZA Live Curve SSR T RMS

