

# Differential Two-Wire Hall Effect Sensor-IC for Wheel Speed Applications

TLE4941  
TLE4941C

Sensors



Never stop thinking.

**Edition 2004-03-19**

**Published by Infineon Technologies AG,  
St.-Martin-Strasse 53,  
81669 München, Germany**

**© Infineon Technologies AG 2005.  
All Rights Reserved.**

**Attention please!**

The information herein is given to describe certain components and shall not be considered as a guarantee of characteristics.

Terms of delivery and rights to technical change reserved.

We hereby disclaim any and all warranties, including but not limited to warranties of non-infringement, regarding circuits, descriptions and charts stated herein.

**Information**

For further information on technology, delivery terms and conditions and prices please contact your nearest Infineon Technologies Office ([www.infineon.com](http://www.infineon.com)).

**Warnings**

Due to technical requirements components may contain dangerous substances. For information on the types in question please contact your nearest Infineon Technologies Office.

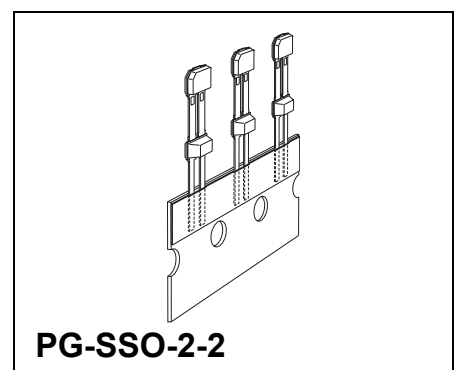
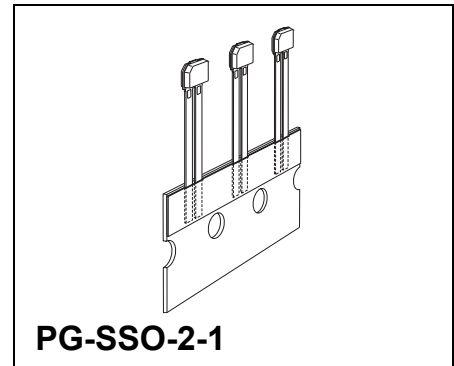
Infineon Technologies Components may only be used in life-support devices or systems with the express written approval of Infineon Technologies, if a failure of such components can reasonably be expected to cause the failure of that life-support device or system, or to affect the safety or effectiveness of that device or system. Life support devices or systems are intended to be implanted in the human body, or to support and/or maintain and sustain and/or protect human life. If they fail, it is reasonable to assume that the health of the user or other persons may be endangered.

## Differential Two-Wire Hall Effect Sensor IC

**TLE4941**  
**TLE4941C**

### Features

- Two-wire current interface
- Dynamic self-calibration principle
- Single chip solution
- No external components needed
- High sensitivity
- South and north pole pre-induction possible
- High resistance to piezo effects
- Large operating air-gaps
- Wide operating temperature range
- TLE4941C: 1.8 nF overmolded capacitor



Type	Marking	Ordering Code	Package
TLE4941	4100R	Q62705-K714	PG-SSO-2-1
TLE4941C	41C0R	Q62705-K715	PG-SSO-2-2

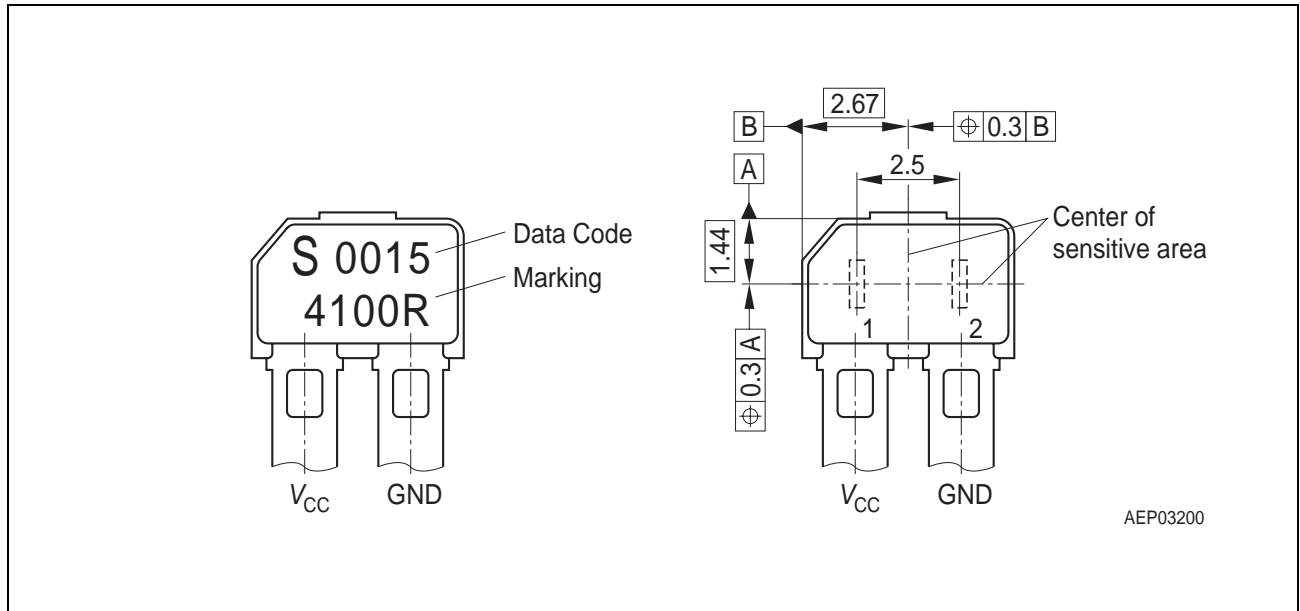
The Hall Effect sensor IC TLE4941 is designed to provide information about rotational speed to modern vehicle dynamics control systems and ABS. The output has been designed as a two wire current interface. The sensor operates without external components and combines a fast power-up time with a low cut-off frequency. Excellent accuracy and sensitivity is specified for harsh automotive requirements as a wide temperature range, high ESD and EMC robustness. State-of-the art BiCMOS technology is used for monolithic integration of the active sensor areas and the signal conditioning circuitry.

Finally, the optimized piezo compensation and the integrated dynamic offset compensation enable easy manufacturing and elimination of magnet offsets.

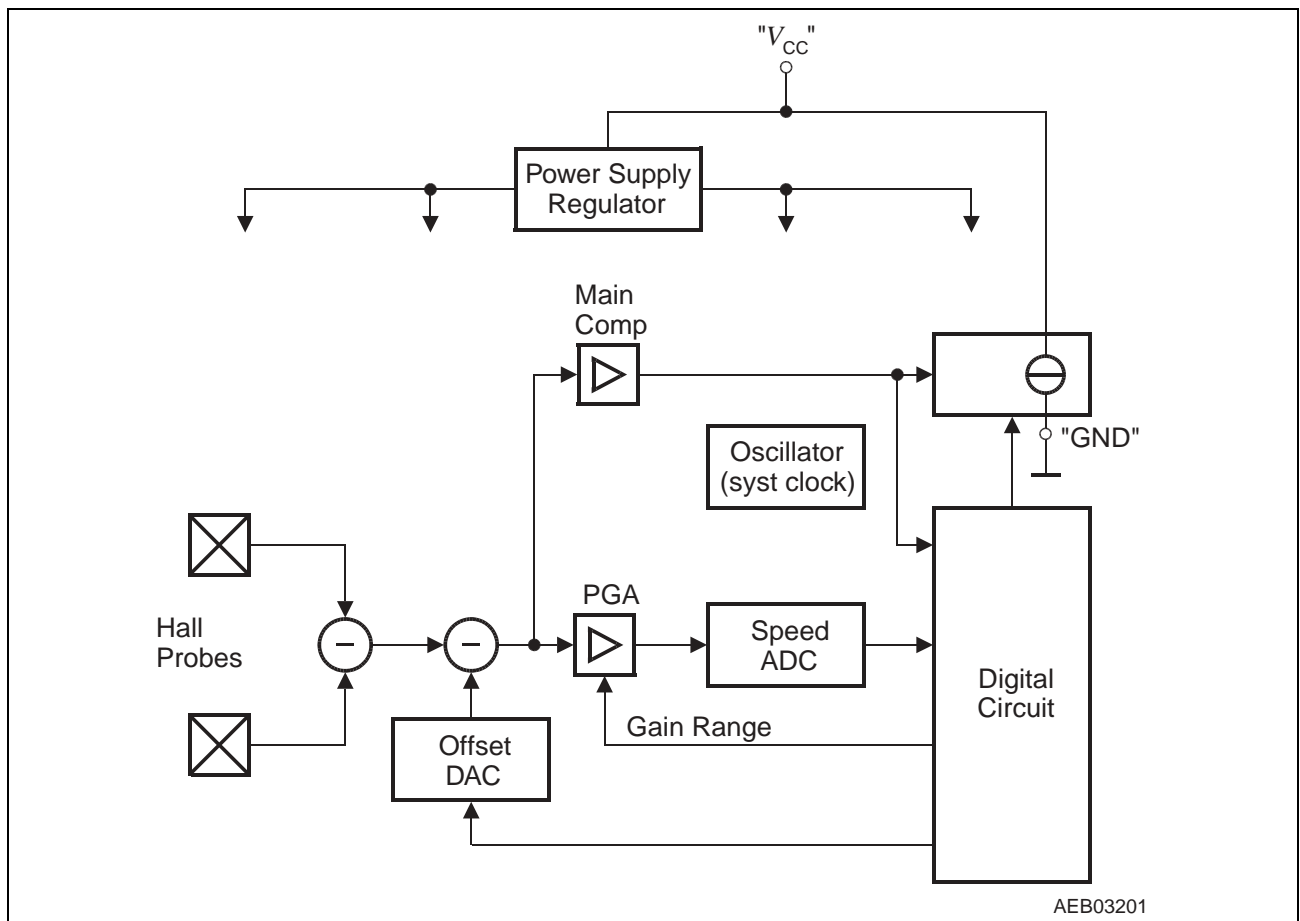
The TLE4941C is additionally provided with an overmolded 1.8 nF capacitor for improved EMI performance.

**Pin Configuration**

(view on branded side of component)



**Figure 1**



**Figure 2 Block Diagram**

## Functional Description

The differential hall sensor IC detects the motion of ferromagnetic and permanent magnet structures by measuring the differential flux density of the magnetic field. To detect the motion of ferromagnetic objects the magnetic field must be provided by a back biasing permanent magnet. Either south or north pole of the magnet can be attached to the rear unmarked side of the IC package.

Magnetic offsets of up to  $\pm 20$  mT and device offsets are cancelled by a self-calibration algorithm. Only a few transitions are necessary for self-calibration. After the initial calibration sequence switching occurs when the input signal is crossing the arithmetic mean of its max. and min. value (e.g. zero-crossing for sinusoidal signals).

The ON and OFF state of the IC are indicated by **High** and **Low** current consumption.

## Circuit Description

The circuit is supplied internally by a 3 V voltage regulator. An on-chip oscillator serves as clock generator for the digital part of the circuit.

TLE4941 signal path is comprised of a pair of hall probes, spaced at 2.5 mm, a differential amplifier including a noise-limiting low-pass filter and a comparator feeding a switched current output stage. In addition an offset cancellation feedback loop is provided by a signal-tracking A/D converter, a digital signal processor (DSP) and an offset cancellation D/A converter.

During the startup phase (un-calibrated mode) the output is disabled ( $I = I_{LOW}$ ).

The differential input signal is digitized in the speed A/D converter and fed into the DSP. The minimum and maximum values of the input signal are extracted and their corresponding arithmetic mean value is calculated. The offset of this mean value is determined and fed into the offset cancellation DAC.

After successful correction of the offset, the output switching is enabled.

In running mode (calibrated mode) the offset correction algorithm of the DSP is switched into a low-jitter mode, avoiding oscillation of the offset DAC LSB. Switching occurs at zero-crossing. It is only affected by the (small) remaining offset of the comparator and by the remaining propagation delay time of the signal path, mainly determined by the noise-limiting filter. Signals below a defined threshold  $\Delta B_{Limit}$  are not detected to avoid unwanted parasitic switching.

## Package Information

Pure tin covering (green lead plating) is used. Leadframe material is Wieland K62 (UNS: C18090) and contains CuSn1CrNiTi. Product is RoHS (restriction of hazardous substances) compliant when marked with letter G in front or after the data code marking and may contain a data matrix code on the rear side of the package (see also information note 136/03). Please refer to your Key account team or regional sales if you need further information.

**Table 1 Absolute Maximum Ratings**

$$T_j = -40^{\circ}\text{C to } 150^{\circ}\text{C}, 4.5\text{ V} \leq V_{\text{CC}} \leq 16.5\text{ V}$$

Parameter	Symbol	Limit Values		Unit	Remarks
		min.	max.		
Supply voltage	$V_{\text{CC}}$	- 0.3	-	V	$T_j < 80^{\circ}\text{C}$
		-	16.5		$T_j = 170^{\circ}\text{C}$
		-	20		$T_j = 150^{\circ}\text{C}$
		-	22		$t = 10 \times 5\text{ min.}$
		-	24		$t = 10 \times 5\text{ min.},$ $R_M \geq 75\ \Omega$ included in $V_{\text{CC}}$
		-	27		$t = 400\text{ ms}, R_M \geq 75\ \Omega$ included in $V_{\text{CC}}$
Reverse polarity current	$I_{\text{rev}}$	-	200	mA	External current limitation required, $t < 4\text{ h}$
Junction temperature	$T_j$	-	150	$^{\circ}\text{C}$	5000 h, $V_{\text{CC}} < 16.5\text{ V}$
		-	160		2500 h, $V_{\text{CC}} < 16.5\text{ V}$ (not additive)
		-	170		500 h, $V_{\text{CC}} < 16.5\text{ V}$ (not additive)
		-	190		4 h, $V_{\text{CC}} < 16.5\text{ V}$
Active lifetime	$t_{\text{B,active}}$	10000	-	h	
Storage temperature	$T_{\text{S}}$	- 40	150	$^{\circ}\text{C}$	
Thermal resistance PG-SSO-2-1	$R_{\text{thJA}}$	-	190	K/W	<sup>1)</sup>

1) Can be improved significantly by further processing like overmolding

*Note: Stresses in excess of those listed here may cause permanent damage to the device. Exposure to absolute maximum rating conditions for extended periods may affect device reliability.*

**Table 2 ESD Protection**

Human Body Model (HBM) tests according to:  
 Standard EIA/JESD22-A114-B HBM (covers MIL STD 883D)

Parameter	Symbol	Limit Values		Unit	Notes
		min.	max.		
ESD-Protection TLE4941 TLE4941C	$V_{ESD}$	–	$\pm 12$	kV	$R = 1.5 \text{ k}\Omega$ , $C = 100 \text{ pF}$

**Table 3 Operating Range**

Parameter	Symbol	Limit Values		Unit	Remarks
		min.	max.		
Supply voltage	$V_{CC}$	4.5	20	V	Directly on IC leads includes not the $R_M$ voltage drop
Supply voltage ripple	$V_{AC}$	–	6	Vpp	$V_{CC} = 13 \text{ V}$ $0 < f < 50 \text{ kHz}$
Junction temperature	$T_j$	– 40	150	°C	500 h, $V_{CC} \leq 16.5 \text{ V}$ , increased jitter permissible
		–	170		
Pre-induction	$B_0$	– 500	+ 500	mT	
Pre-induction offset between outer probes	$\Delta B_{stat., l/r}$	– 20	+ 20	mT	
Differential Induction	$\Delta B$	– 120	+ 120	mT	

*Note: Within the operating range the functions given in the circuit description are fulfilled.*

**Table 4 Electrical Characteristics**

All values specified at constant amplitude and offset of input signal, over operating range, unless otherwise specified.

Typical values correspond to  $V_{CC} = 12\text{ V}$  and  $T_A = 25^\circ\text{C}$

Parameter	Symbol	Limit Values			Unit	Remarks
		min.	typ.	max.		
Supply current	$I_{LOW}$	5.9	7	8.4	mA	
Supply current	$I_{HIGH}$	11.8	14	16.8	mA	
Supply current ratio	$I_{HIGH} / I_{LOW}$	1.9	–	–		
Output rise/fall slew rate TLE4941	$t_r, t_f$	12 7.5	– –	26 24	mA/ $\mu\text{s}$	$R_M \leq 150\ \Omega$ $R_M \leq 750\ \Omega$ See <b>Figure 4</b>
Output rise/fall slew rate TLE4941C	$t_r, t_f$	8 8	– –	22 26	mA/ $\mu\text{s}$	$R_M = 75\ \Omega$ $T < 125^\circ\text{C}$ $T < 170^\circ\text{C}$ See <b>Figure 4</b>
Current ripple $dI_X/dV_{CC}$	$I_X$	–	–	90	$\mu\text{A/V}$	
Limit threshold 1 Hz < $f$ < 2500 Hz 2500 Hz < $f$ < 10000 Hz	$\Delta B_{Limit}$	0.35 –	0.8 –	1.5 1.7	mT	<sup>1)</sup>
Initial calibration delay time	$t_{d,input}$	–	–	300	$\mu\text{s}$	Additional to $n_{start}$
Magnetic edges required for initial calibration <sup>2)</sup>	$n_{start}$	–	3	6 <sup>3)</sup>	magn. edges	<sup>4)</sup> 7 <sup>th</sup> edge correct
Frequency	$f$	1 2500	– –	2500 10000	Hz	<sup>5)</sup>
Frequency changes	df/dt	–	–	$\pm 100$	Hz/ms	
Duty cycle	duty	40	50	60	%	<sup>6)</sup> Measured @ $\Delta B = 2\text{ mT}$ sine wave Def. See <b>Figure 4</b>
Jitter, $T_j < 150^\circ\text{C}$ $T_j < 170^\circ\text{C}$ 1 Hz < $f$ < 2500 Hz	$S_{Jit-close}$	– –	– –	$\pm 2$ $\pm 3$	%	<sup>7)</sup> 1 $\sigma$ value $V_{CC} = 12\text{ V}$ $\Delta B \geq 2\text{ mT}$
Jitter, $T_j < 150^\circ\text{C}$ $T_j < 170^\circ\text{C}$ 2500 Hz < $f$ < 10000 Hz	$S_{Jit-close}$	– –	– –	$\pm 3$ $\pm 4.5$	%	<sup>7)</sup> 1 $\sigma$ value $V_{CC} = 12\text{ V}$ $\Delta B \geq 2\text{ mT}$



**Table 4 Electrical Characteristics (cont'd)**

All values specified at constant amplitude and offset of input signal, over operating range, unless otherwise specified.

Typical values correspond to  $V_{CC} = 12\text{ V}$  and  $T_A = 25^\circ\text{C}$

Parameter	Symbol	Limit Values			Unit	Remarks
		min.	typ.	max.		
Jitter, $T_j < 150^\circ\text{C}$ $T_j < 170^\circ\text{C}$ $1\text{ Hz} < f < 2500\text{ Hz}$	$S_{\text{Jit-far}}$	–	–	$\pm 4$	%	<sup>7)</sup> $1\sigma$ value $V_{CC} = 12\text{ V}$ $2\text{ mT} \geq \Delta B > \Delta B_{\text{Limit}}$
Jitter, $T_j < 150^\circ\text{C}$ $T_j < 170^\circ\text{C}$ $2500\text{ Hz} < f < 10000\text{ Hz}$	$S_{\text{Jit-far}}$	–	–	$\pm 6$ $\pm 9$	%	<sup>7)</sup> $1\sigma$ value $V_{CC} = 12\text{ V}$ $2\text{ mT} \geq \Delta B > \Delta B_{\text{Limit}}$
Jitter at board net ripple	$S_{\text{Jit-AC}}$	–	–	$\pm 2$	%	<sup>7)</sup> $V_{CC} = 13\text{ V} \pm 6\text{ Vpp}$ $0 < f < 50\text{ kHz}$ $\Delta B = 15\text{ mT}$

- 1) Magnetic amplitude values, sine magnetic field, limits refer to the 50% criteria. 50% of edges are missing
- 2) The sensor requires up to  $n_{\text{start}}$  magnetic switching edges for valid speed information after power-up or after a stand still condition. During that phase the output is disabled.
- 3) See "Appendix B"
- 4) One magnetic edge is defined as a monotonic signal change of more than 3.3 mT
- 5) High frequency behavior not subject to production test - verified by design/characterization. Frequency above 2500 Hz may have influence on jitter performance and magnetic thresholds.
- 6) During fast offset alterations, due to the calibration algorithm, exceeding the specified duty cycle is permitted for short time periods
- 7) Not subject to production test verified by design/characterization

### Output Description

Under ideal conditions, the output shows a duty cycle of 50%. Under real conditions, the duty cycle is determined by the mechanical dimensions of the target wheel and its tolerances (40% to 60% might be exceeded for pitch >> 5 mm due to the zero-crossing principle).

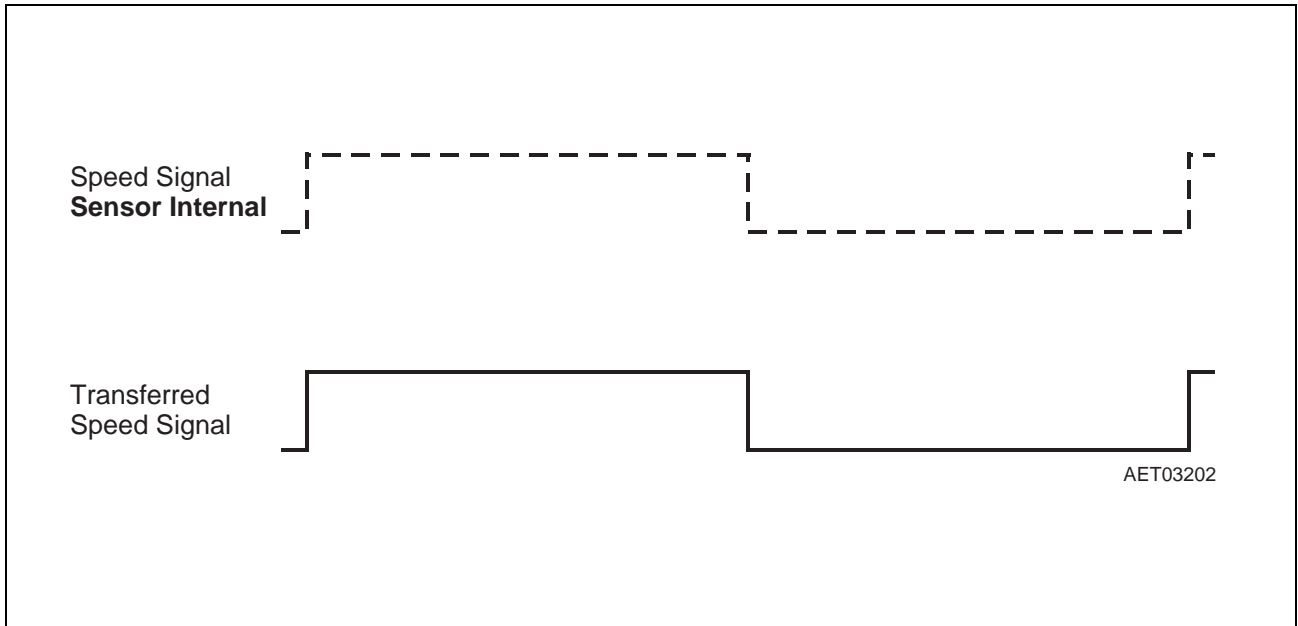


Figure 3 Speed Signal (half a period =  $0.5 \times 1/f_{\text{speed}}$ )

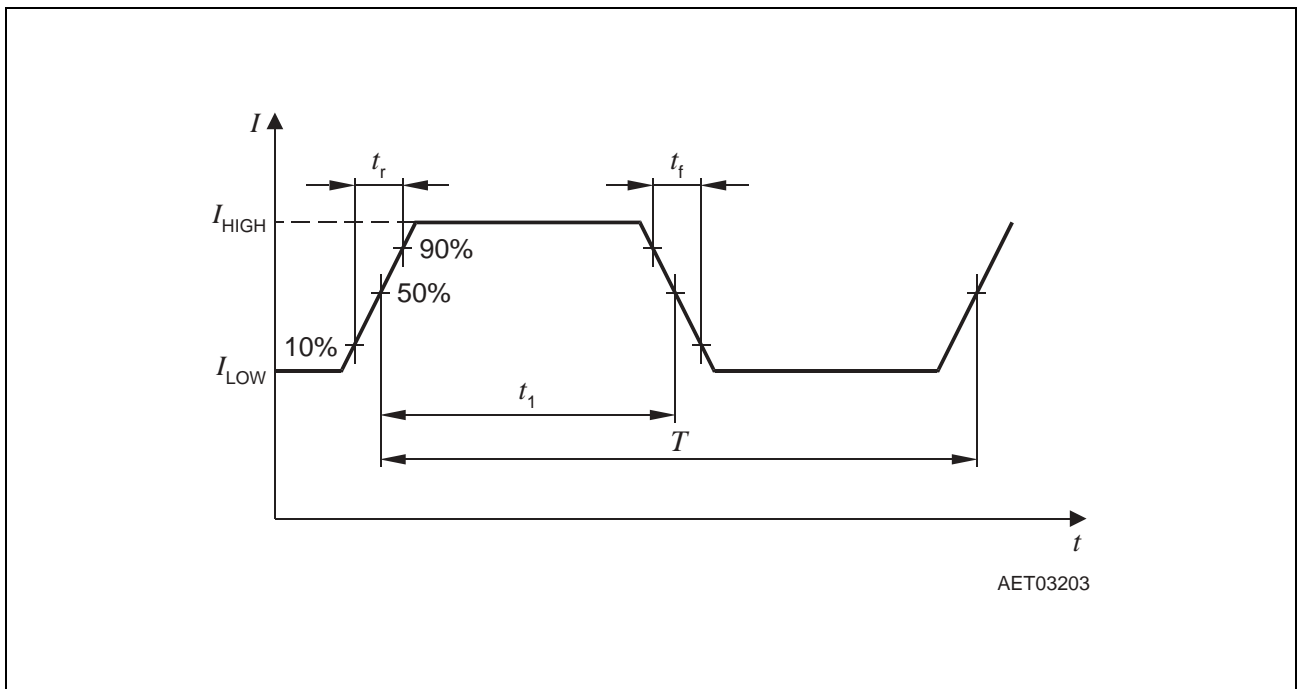


Figure 4 Definition of Rise and Fall Time, Duty =  $t_1/T \times 100\%$

**Table 5 Electro Magnetic Compatibility** (values depend on  $R_M$ !)

Ref. ISO 7637-1; test circuit 1;

 $\Delta B = 2$  mT (amplitude of sinus signal);  $V_{CC} = 13.5$  V,  $f_B = 100$  Hz;  $T = 25^\circ\text{C}$ ;  $R_M \geq 75 \Omega$ 

Parameter	Symbol	Level/Typ	Status
Testpulse 1	$V_{EMC}$	IV / – 100 V	C <sup>1)</sup>
Testpulse 2		IV / 100 V	C <sup>1)</sup>
Testpulse 3a		IV / – 150 V	A
Testpulse 3b		IV / 100 V	A
Testpulse 4		IV / – 7 V	B <sup>2)</sup>
Testpulse 5		IV / 86.5 <sup>3)</sup> V	C

 1) According to 7637-1 the supply switched “OFF” for  $t = 200$  ms

 2) According to 7637-1 for test pulse 4 the test voltage shall be  $12 \text{ V} \pm 0.2 \text{ V}$ . Measured with  $R_M = 75 \Omega$  only. Mainly the current consumption will decrease. Status C with test circuit 1.

3) Applying in the board net a suppressor diode with sufficient energy absorption capability

*Note: Values are valid for all TLE4941/42 types!*

Ref. ISO 7637-3; test circuit 1;

 $\Delta B = 2$  mT (amplitude of sinus signal);  $V_{CC} = 13.5$  V,  $f_B = 100$  Hz;  $T = 25^\circ\text{C}$ ;  $R_M \geq 75 \Omega$ 

Parameter	Symbol	Level/Typ	Status
Testpulse 1	$V_{EMC}$	IV / – 30 V	A
Testpulse 2		IV / 30 V	A
Testpulse 3a		IV / – 60 V	A
Testpulse 3b		IV / 40 V	A

*Note: Values are valid for all TLE4941/42 types!*

Ref. ISO 11452-3; test circuit 1; measured in TEM-cell

 $\Delta B = 2$  mT;  $V_{CC} = 13.5$  V,  $f_B = 100$  Hz;  $T = 25^\circ\text{C}$ 

Parameter	Symbol	Level/Typ	Remarks
EMC field strength	$E_{\text{TEM-Cell}}$	IV / 200 V/m	AM = 80%, $f = 1$ kHz

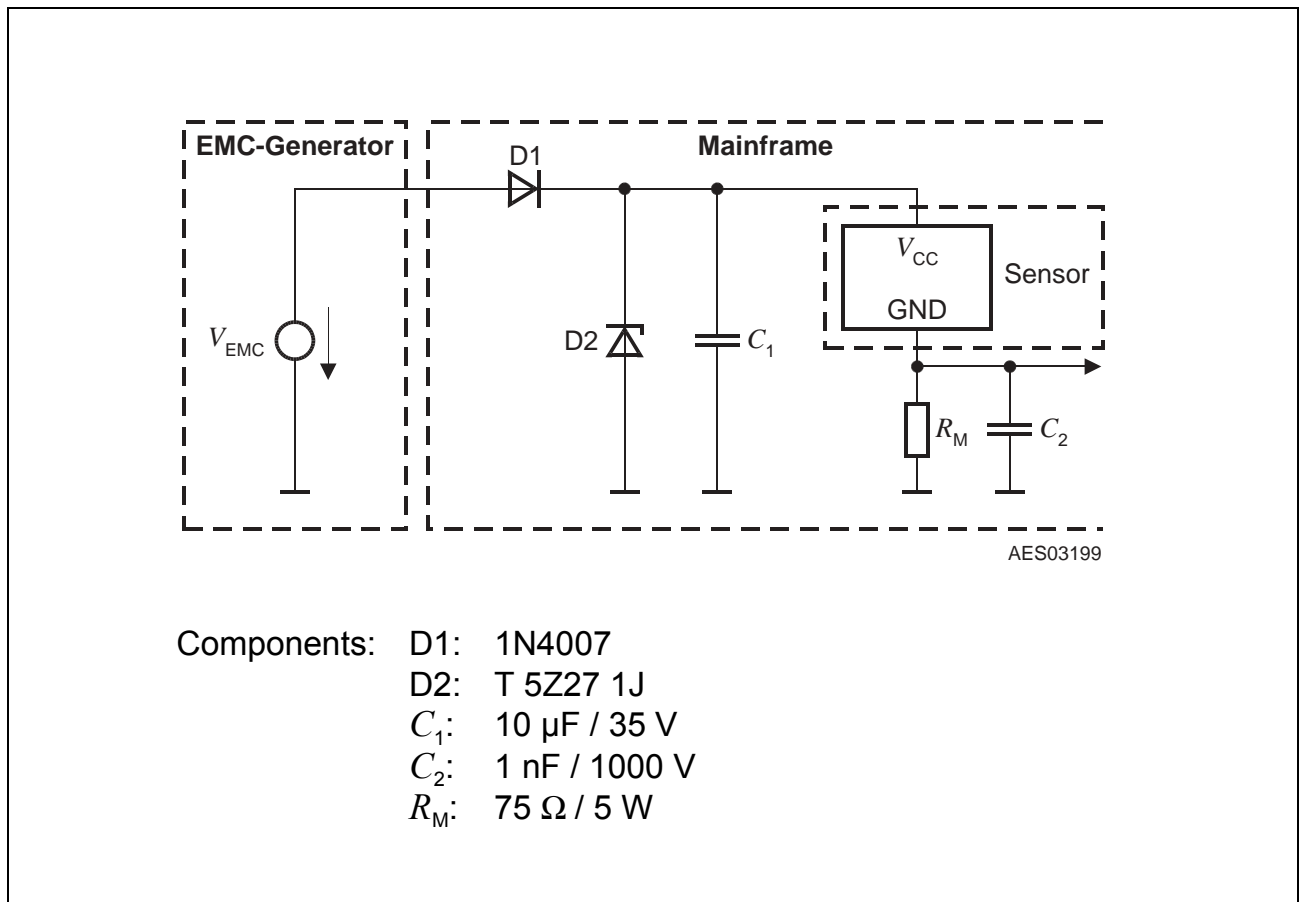
*Note: Only valid for non C- types!*

Ref. ISO 11452-3; test circuit 1; measured in TEM-cell

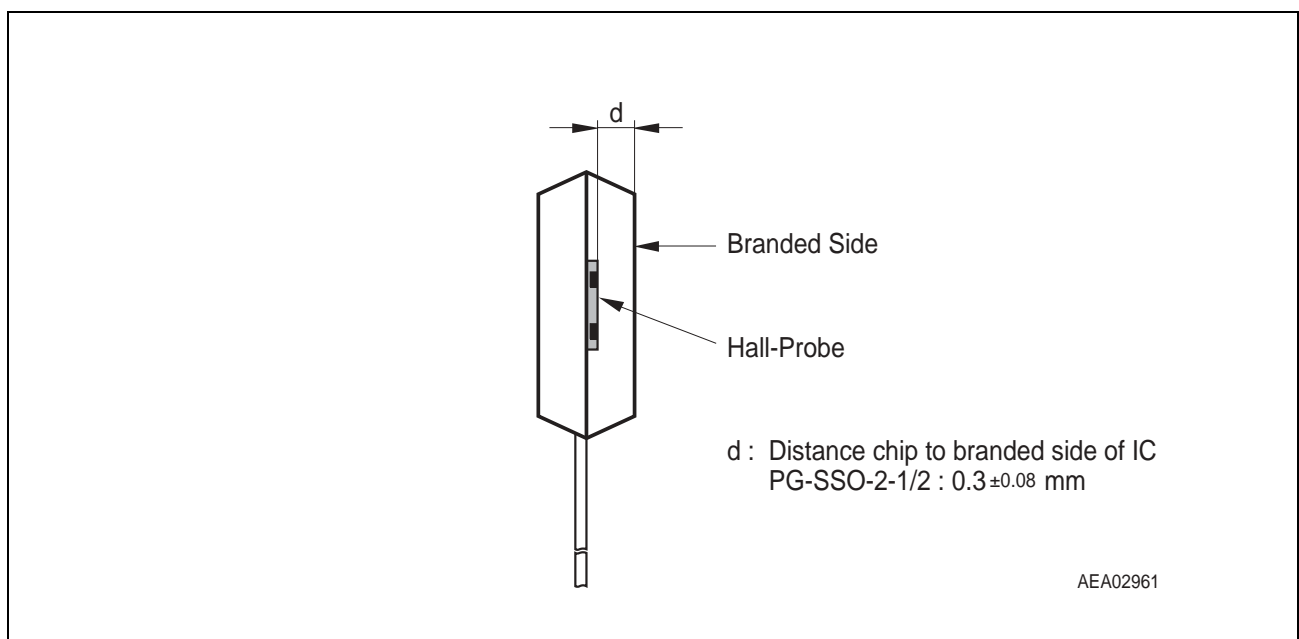
 $\Delta B = 2$  mT;  $V_{CC} = 13.5$  V,  $f_B = 100$  Hz;  $T = 25^\circ\text{C}$ 

Parameter	Symbol	Level/Typ	Remarks
EMC field strength	$E_{\text{TEM-Cell}}$	IV / 250 V/m	AM = 80%, $f = 1$ kHz

*Note: Only valid for C-types!*



**Figure 5 Test Circuit 1**



**Figure 6 Distance Chip to Upper Side of IC**

Package Outlines

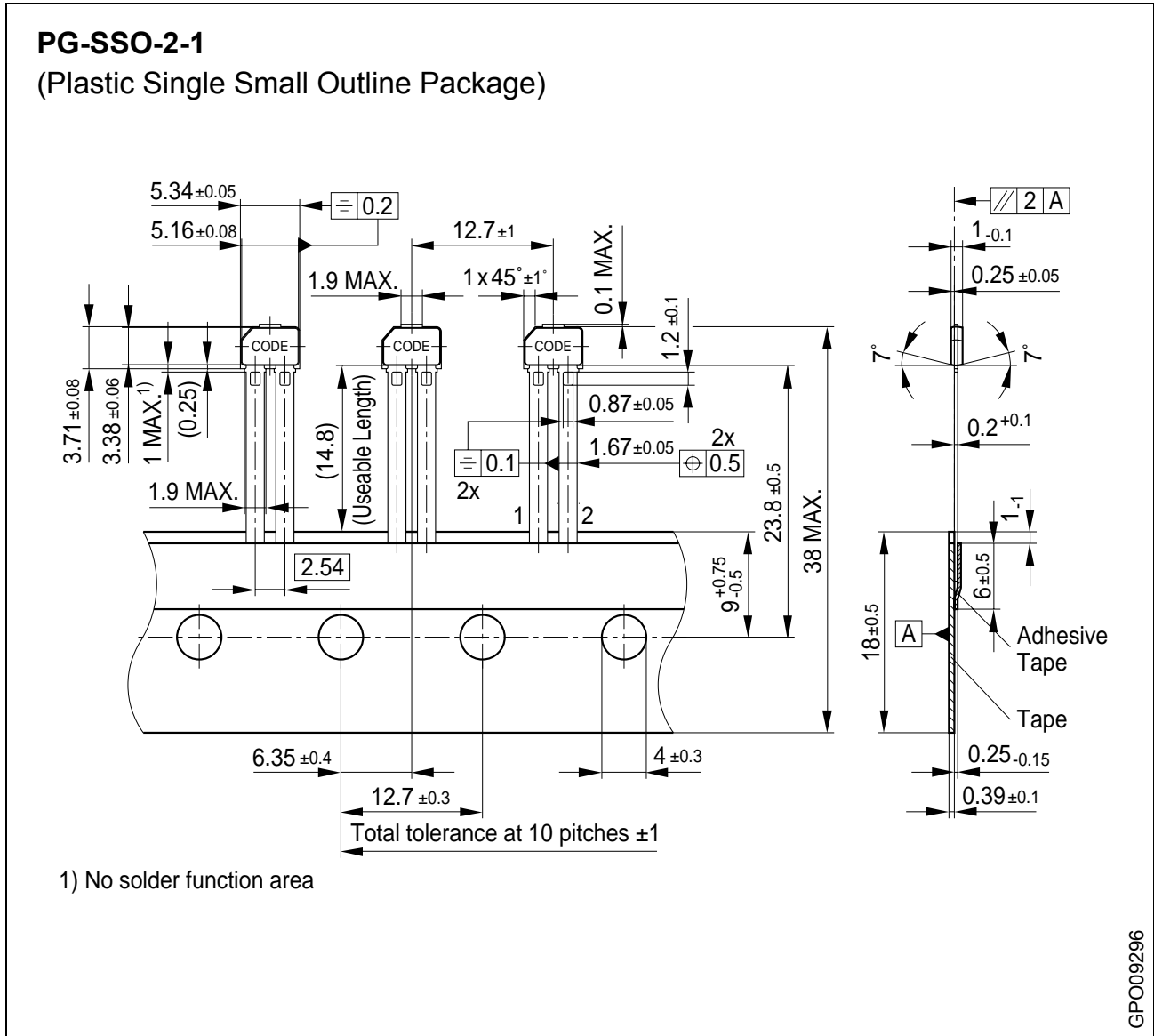
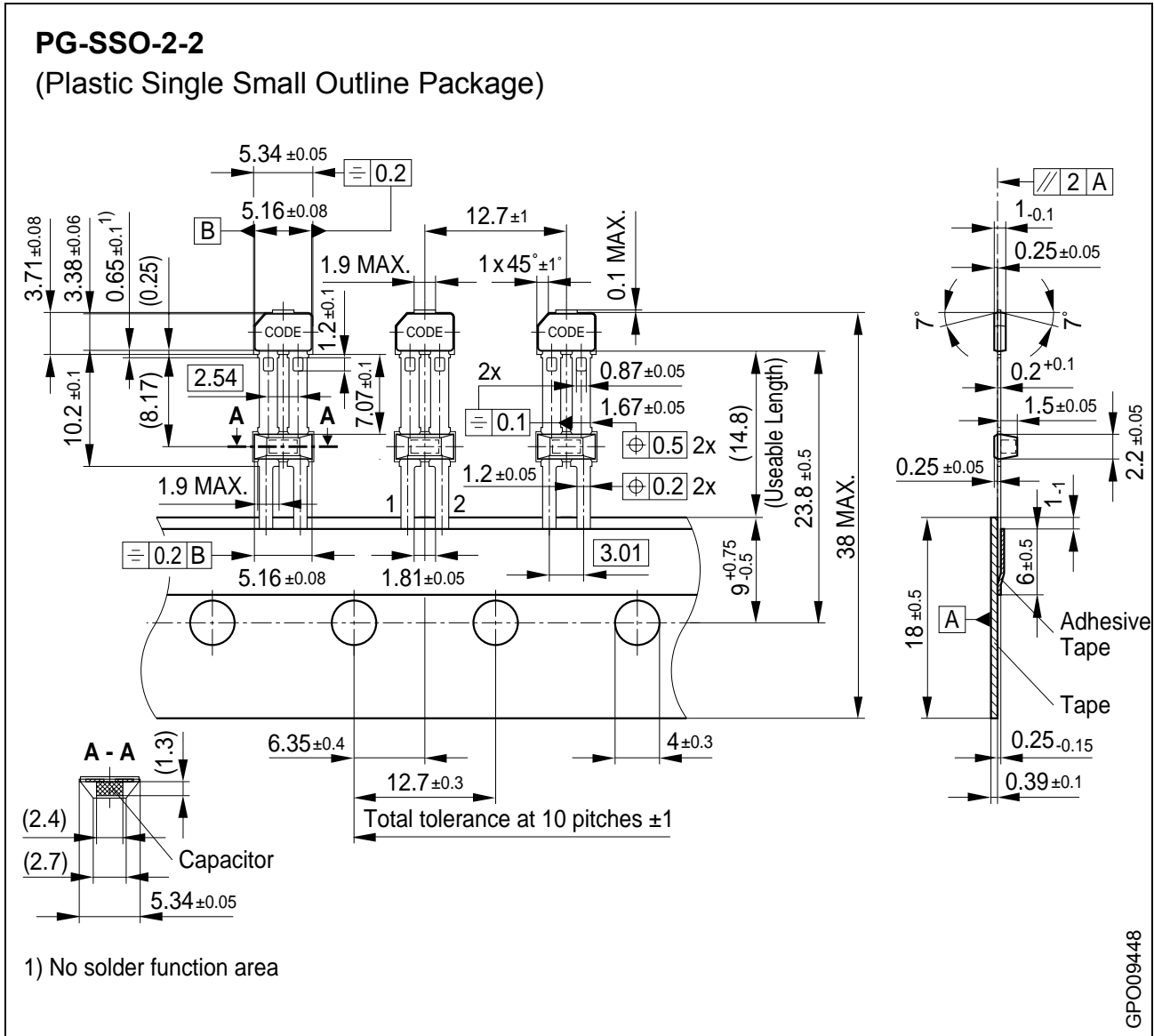


Figure 7



**Figure 8**

You can find all of our packages, sorts of packing and others in our Infineon Internet Page “Products”: <http://www.infineon.com/products>.

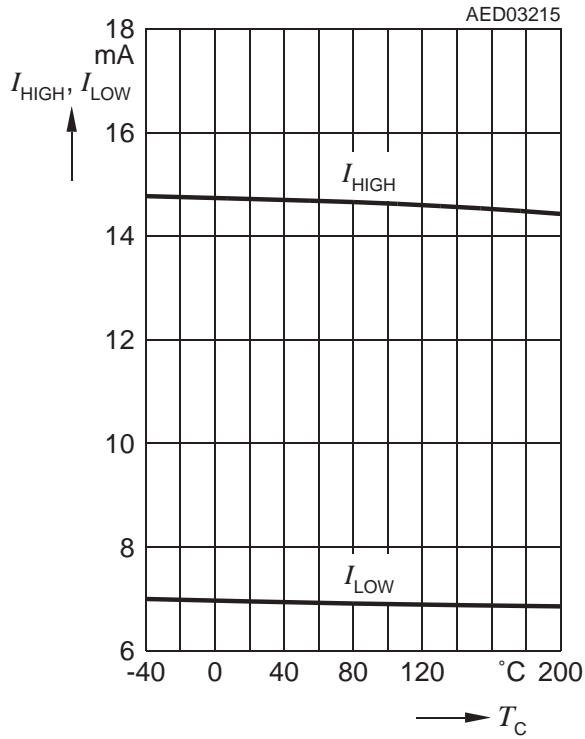
Dimensions in mm

## Appendix A

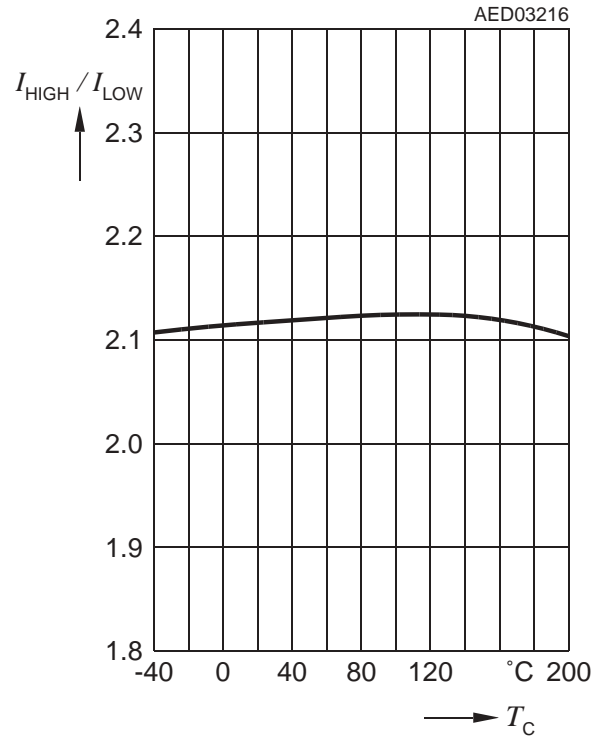
### Typical Diagrams (measured performance)

$$T_c = T_{\text{case, IC}} = \text{approx. } T_j - 5^\circ\text{C}$$

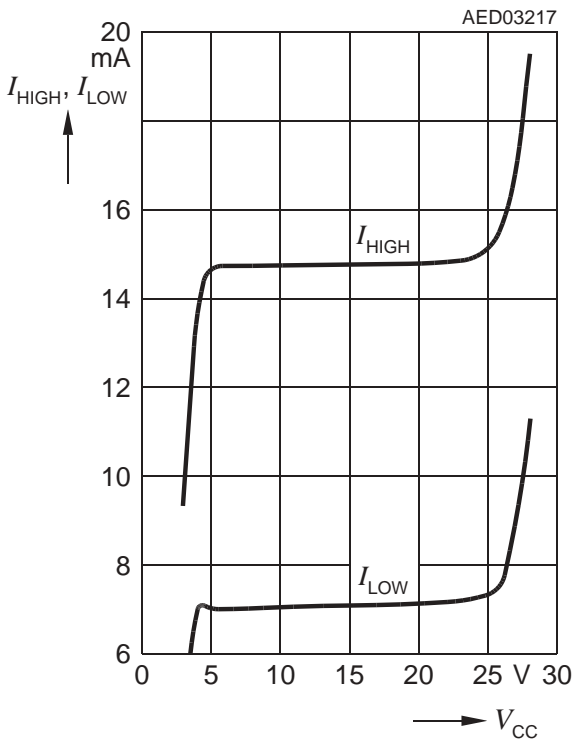
#### Supply Current



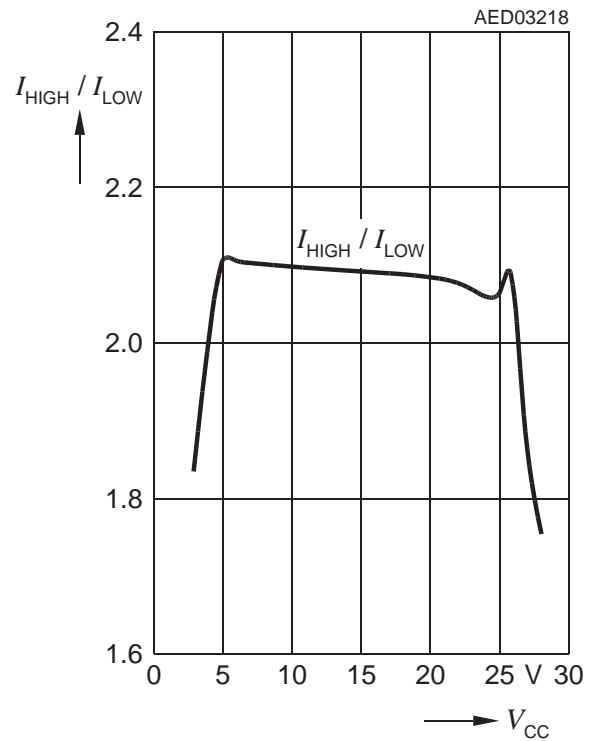
#### Supply Current Ratio $I_{\text{HIGH}} / I_{\text{LOW}}$



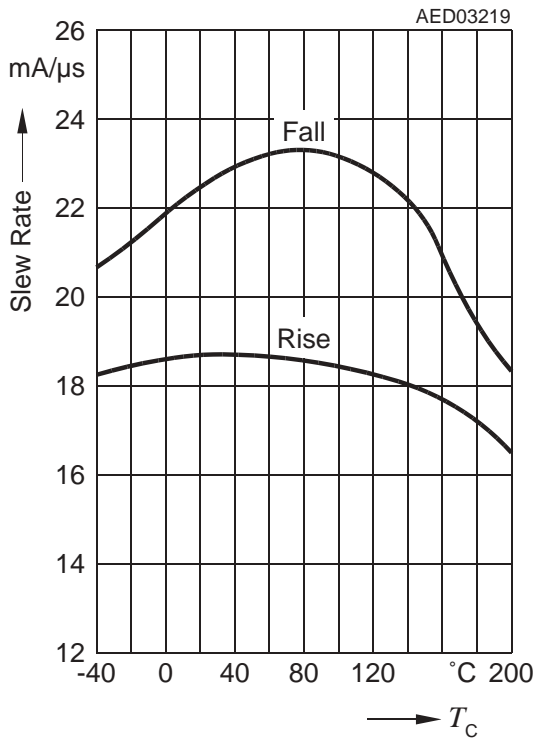
#### Supply Current = $f(V_{\text{cc}})$



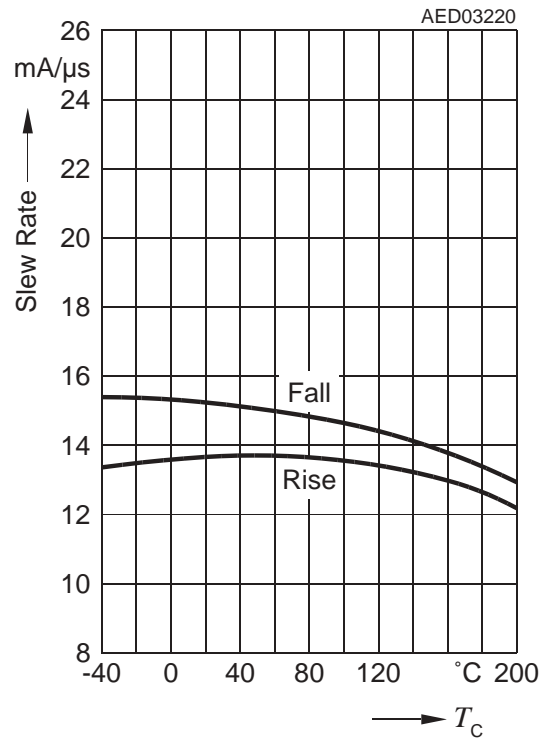
#### Supply Current Ratio $I_{\text{HIGH}} / I_{\text{LOW}} = f(V_{\text{cc}})$



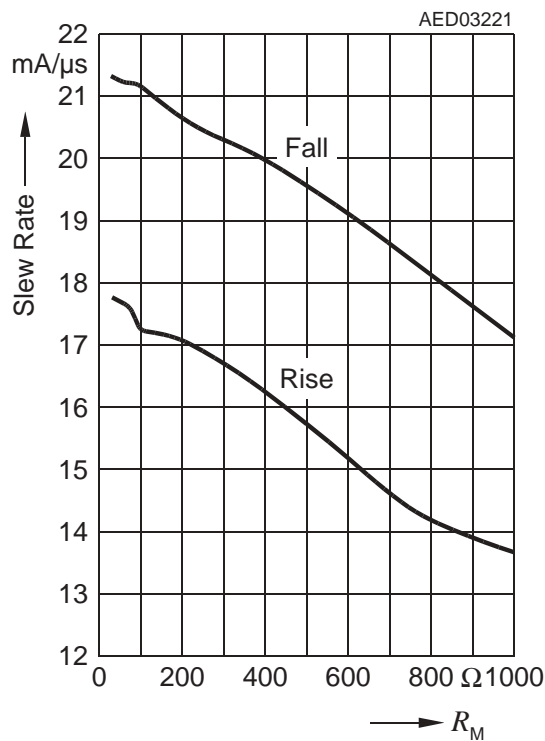
**Slew Rate without  $C$ ,  $R_M = 75 \Omega$**



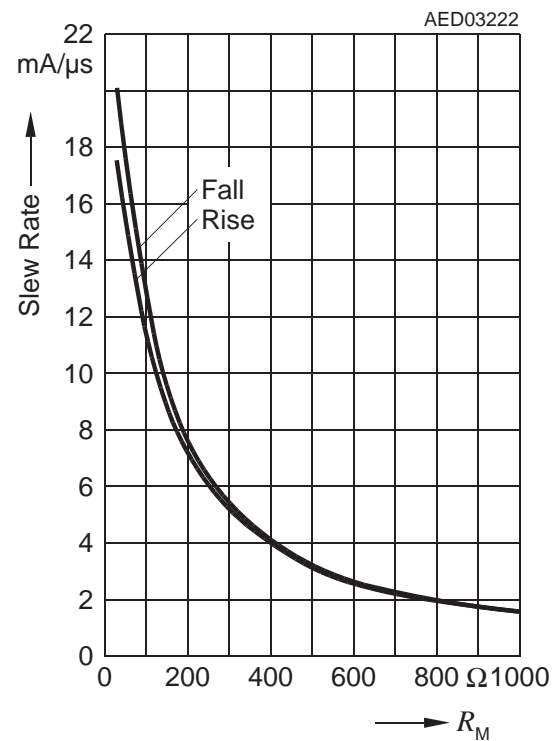
**Slew Rate with  $C = 1.8 \text{ nF}$ ,  $R_M = 75 \Omega$**



**Slew Rate without  $C = f(R_M)$**



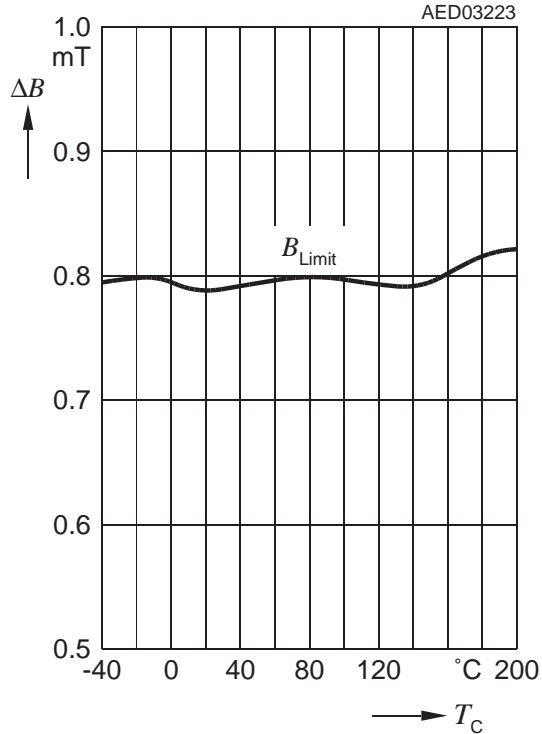
**Slew Rate with  $C = 1.8 \text{ nF} = f(R_M)$**





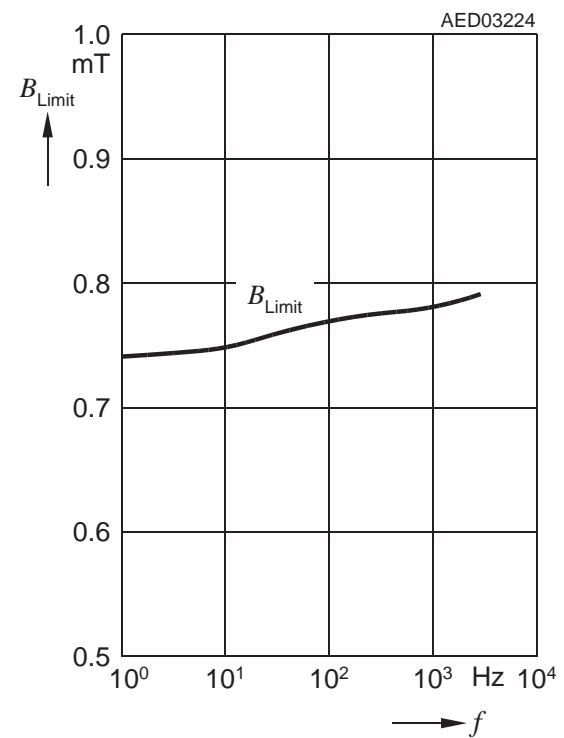
**Magnetic Threshold**

$\Delta B_{Limit}$  at  $f = 1$  kHz

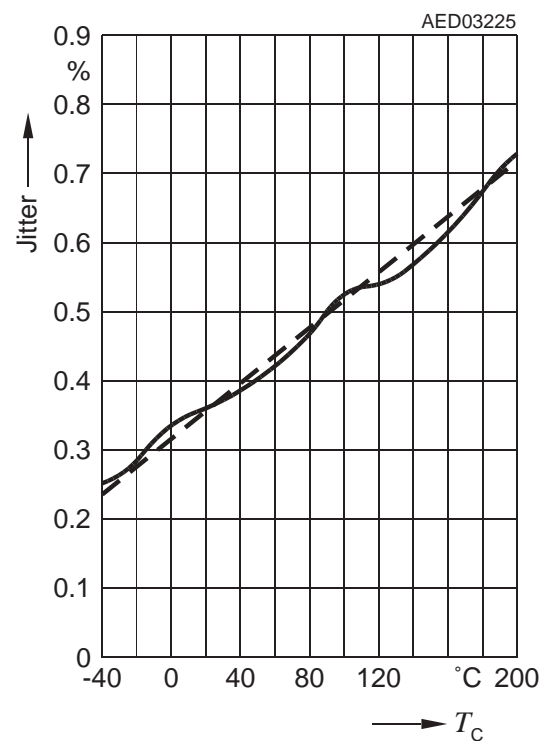


**Magnetic Threshold**

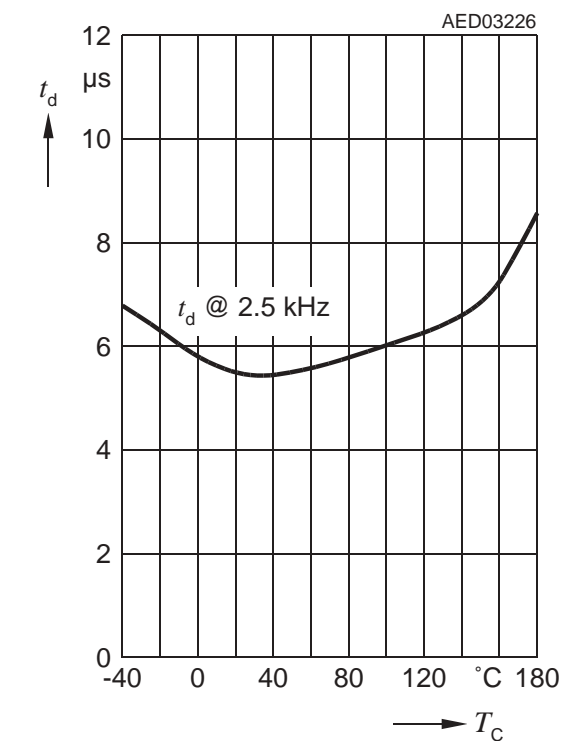
$\Delta B_{Limit} = f(f)$



**Jitter  $1\sigma$  at  $\Delta B = 2$  mT, 1 kHz**



**Delaytime  $t_d$ <sup>1)</sup>**



1)  $t_d$  is the time between the zero crossing of  $\Delta B = 2$  mT sinusoidal input signal and the rising edge (50%) of the signal current.

## Appendix B

### Release 1.0

#### Occurrence of Initial Calibration Delay Time $t_{d,input}$

If there is no input signal (standstill), a new initial calibration is triggered each 0.7 s. This calibration has a duration  $t_{d,input}$  of max. 300  $\mu$ s. No input signal change is detected during that initial calibration time.

In normal operation (signal startup) the probability of  $t_{d,input}$  to come into effect is:

$t_{d,input} / \text{time frame for new calibration } 300 \mu\text{s}/700 \text{ ms} = 0.05\%$ .

After IC resets (e.g. after a significant undervoltage)  $t_{d,input}$  will always come into effect.

#### Magnetic Input Signal Extremely Close to a Switching Threshold of PGA at Signal Startup

After signal startup generally all PGA switching into the appropriate gain state happens within less than one signal period. This is included in the calculation for  $n_{DZ-Start}$ . For the very rare case that the signal amplitude is extremely close to a PGA switching threshold and the full range of following speed ADC respectively, a slight change of the signal amplitude can cause one further PGA switching. It can be caused by non-perfect magnetic signal (e.g. amplitude modulation due to tolerances of pole-wheel, tooth wheel or air gap variation). This additional PGA switching can result in a further delay of the output signal ( $n_{DZ-Start}$ ) up to three magnetic edges leading to a worst case of  $n_{DZ-Start} = 9$ . Due to the low probability of this case it is not defined as max. value in the data sheet.

(For a more detailed explanation please refer to the document "TLE4941/42 - Frequently Asked Questions").

**Revision History:2005-02, V2.1**

Previous Version: 2004-01, V2.0

Page	Subjects (major changes since last revision)
3,13,14	Package name changed from P-... to PG-...
13,14	Figure 7,8: Package Outline PG-SSO-2-1, PG-SSO-2-2 - Tape thickness changed from 0.50±0.1mm to 0.39±0.1 mm - Package mold dimension changed from 5.38±0.05 mm to 5.34±0.05 mm (Note: only the dimensions in the drawing changed, but not the package dimensions)
15-17	Appendix A inserted
18	Appendix B inserted
-	New format of data sheet

For questions on technology, delivery and prices please contact the Infineon Technologies offices in Germany or the Infineon Technologies Companies and Representatives worldwide: see our webpage at <http://www.infineon.com>

**We Listen to Your Comments**

Any information within this document that you feel is wrong, unclear or missing at all? Your feedback will help us to continuously improve the quality of this document.

Please send your proposal (including a reference to this document) to:

**[feedback.sensors@infineon.com](mailto:feedback.sensors@infineon.com)**



[www.infineon.com](http://www.infineon.com)

Published by Infineon Technologies AG