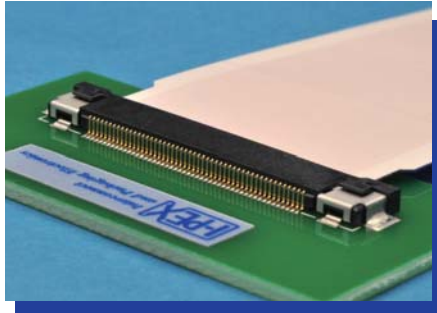


EVAFLEX® 5 - SE

0.5mm Pitch Horizontal Type
Non-ZIF Type



EVAFLEX® 5-SE is a totally new concept for FFC/FPC connector focused on efficient operation and reliability. Only one action regard to insert the FFC/FPC, connection reliability is dramatically improved due to the side lock design. EVAFLEX® 5-SE is available for use in various applications such as automotive and industrial that require a rugged FFC/FPC connector.

【Features】

- Easy, reliable, high productivity : High productivity is provided by an easy and reliable mating operation by Non-ZIF and auto lock structures
- Audible click and tactile feel : Insures proper mating and positive locking of FFC/FPC*1
- Higher reliable connection : Highly reliable contact by I-PEX's unique W-point contact structure
- High retention force lock structure : Prevents the FFC/FPC from losing connection during high shock and vibration situations

【Number of Positions】

15p, 22p, 30p, 40p
45p, 50p, 55p, 60p

【Ordering Code】

20526-0 ****** **E** - **01**
① ②

【Applicable cable】

FFC or FPC*2

①	POS.	15: 15pos 22: 22pos 30: 30pos 40: 40pos 45: 45pos 50: 50pos 55: 55pos 60: 60pos	
②	Packaging	E	Emboss Tape

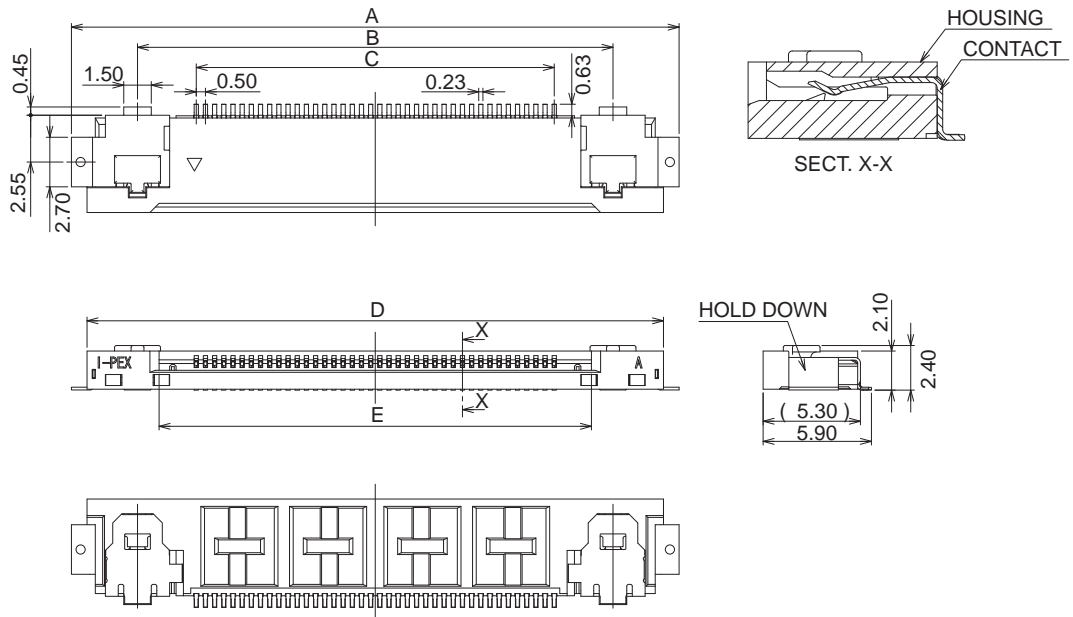
【Material / Finish】

Product	Parts	Material	Plating / Color
EVAFLEX® 5-SE	HOUSING	LCP UL94V-0	BLACK
	CONTACT	COPPER ALLOY	Au
	HOLD DOWN	COPPER ALLOY	Sn

*1 : By a combination of FFC/FPC, audible click and tactile feel change may occur.

*2 : Please contact us for the FFC/FPC drawing and specification.

POS.	A	B	C	D	E	F	G	H
15	20.60	13.40	7.00	18.90	11.06	11.00	8.00	19.50
22	24.10	16.90	10.50	22.40	14.56	14.50	11.50	23.00
30	28.10	20.90	14.50	26.40	18.56	18.50	15.50	27.00
40	33.10	25.90	19.50	31.40	23.56	23.50	20.50	32.00
45	35.60	28.40	22.00	33.90	26.06	26.00	23.00	34.50
50	38.10	30.90	24.50	36.40	28.56	28.50	25.50	37.00
55	40.60	33.40	27.00	38.90	31.06	31.00	28.00	39.50
60	43.10	35.90	29.50	41.40	33.56	33.50	30.50	42.00



RECOMMENDED FFC/FPC LAYOUT

RECOMMENDED PCB LAYOUT

