

PART NO. : HFJV1-RP26-L21RL



FASTJACK™ (TOP ENTRY) WITH 10/100BASE-TX MAGNETICS
 COMPLIANT WITH IEEE802.3u STANDARDS

DESIGNED FOR PoE, IEEE802.3af APPLICATIONS

POWER ON USED OR UNUSED PAIRS FOR UP TO 350mADC

LEAD-FREE/RoHS COMPLIANT

COMPATIBLE TO LEAD-FREE WAVE SOLDERING PROCESS
 FOR THROUGH HOLE COMPONENTS

OPERATING TEMPERATURE 0/70°C

ELECTRICAL SPECIFICATIONS @ 25° C

URNS RATIO

P1-P2:J1-J2,P4-P5:J3-J6 1CT:1 ±3%

OCL (100KHz,0.1Vrms,8mADC)

P1-P2,P4-P5 350µH min

INSERTION LOSS

0.1-100MHz -1.1dB max

RETURN LOSS

0.5-30MHz -18dB min
 40MHz -15.5dB min
 50MHz -13.6dB min
 60-80MHz -12dB min

CROSSTALK 0.1-100MHz

-40dB typ

CMR 0.1-30MHz

-50dB typ

30-60MHz

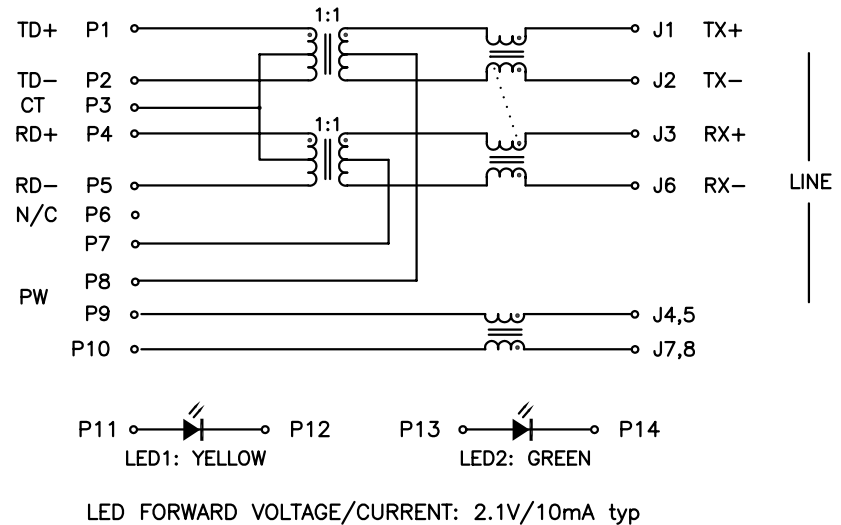
-40dB typ

60-100MHz

-35dB typ

ISOLATION

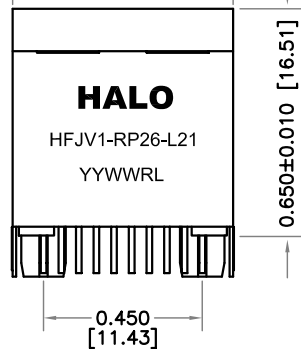
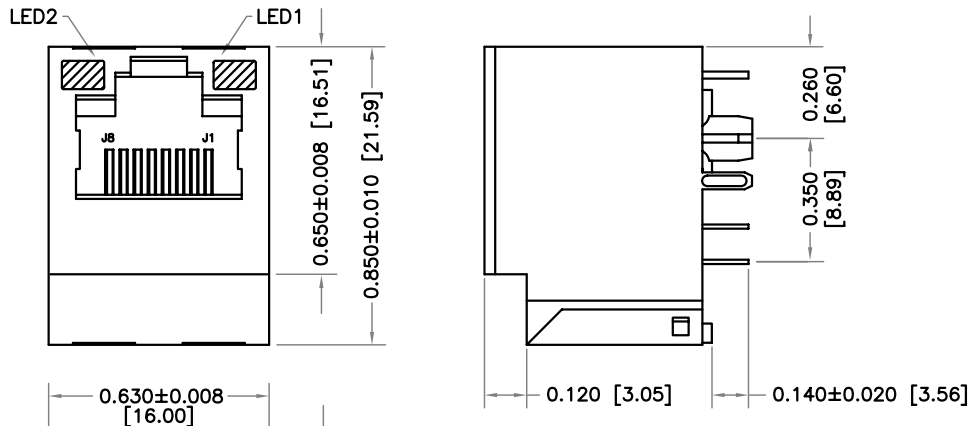
1,500Vrms



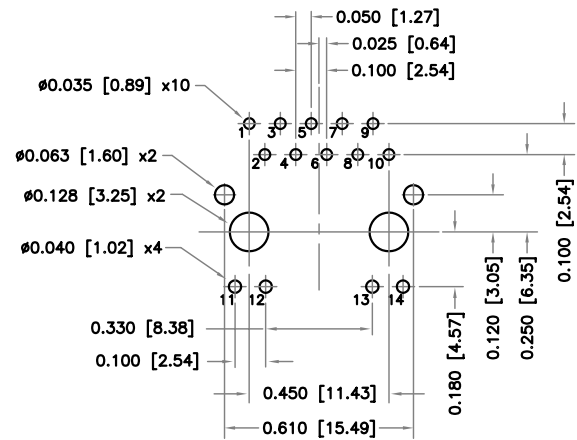
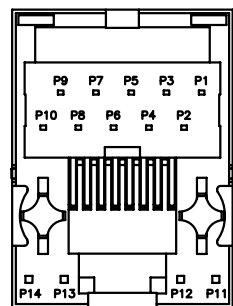
HALO/PBL

CALIFORNIA, USA
 KOWLOON, HONG KONG
 SINGAPORE

TITLE	FastJack™ SINGLE VERTICAL	SIGNATURES	DATE	REV.	DESC.	DATE
FOR	FAST ETHERNET IEEE802.3af	DRAWN	PETER LU	12/20/05	A	
PART NO.	HFJV1-RP26-L21RL	CHECKED				
SCALE	NONE	APPROVED				
PAGE	1 OF 2	FILE	HFJV1RP26-L21RL.DWG			



Housing Material: Polyester, Black UL94V-0
 Contacts: Phosphor Bronze 30µin Au plating over Ni
 Leads: Matte Sn plating
 Shield: Cu Alloy with Ni plating 40µin min
 Durability: 1000 mating cycles
 Dimensions: Inch [mm]
 Tolerances; ±0.008 inch if not specified



RECOMMENDED P.C. BOARD PATTERN (COMP. SIDE)

HALO/PBL

CALIFORNIA, USA
 KOWLOON, HONG KONG
 SINGAPORE

TITLE	FastJack™ SINGLE VERTICAL	SIGNATURES	DATE	REV.	DESC.	DATE
FOR	FAST ETHERNET IEEE802.3af	DRAWN	PETER LU	12/20/05	A	
PART NO.	HFJV1-RP26-L21RL	CHECKED				
SCALE	NONE	APPROVED				
PAGE	2 OF 2	FILE	HFJV1RP26-L21RL.DWG			