

**PART NO. : HFJV1-1G41-L12RL**



FASTJACK™ (TOP-ENTRY) WITH 1000BASE-T MAGNETICS  
DESIGNED FOR IEEE802.3ab GIGABIT APPLICATIONS

RoHS COMPLIANT

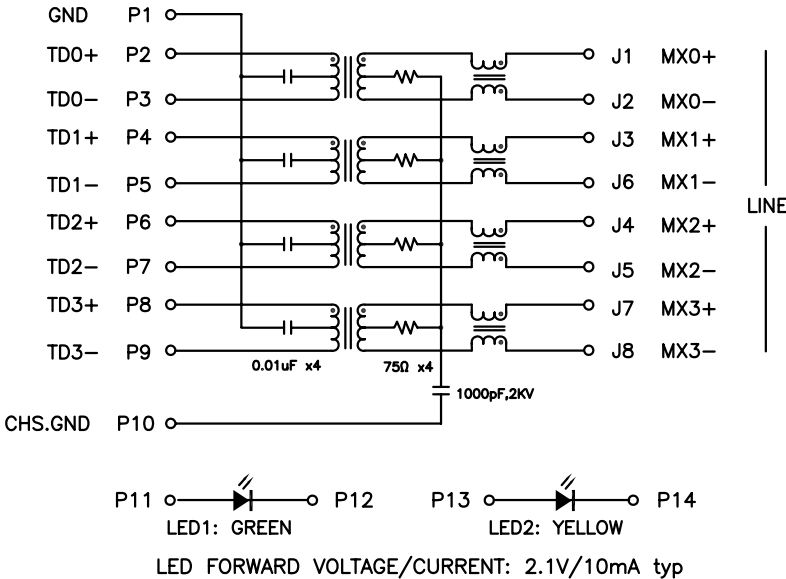
COMPATIBLE TO LEAD-FREE WAVE SOLDERING PROCESS  
FOR THROUGH HOLE COMPONENTS

OPTIMIZED FOR VOLTAGE DRIVEN OUTPUTS

OPERATING TEMPERATURE 0/70°C

**ELECTRICAL SPECIFICATIONS @ 25° C**

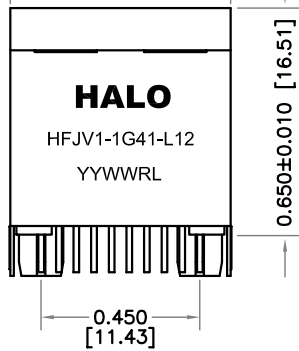
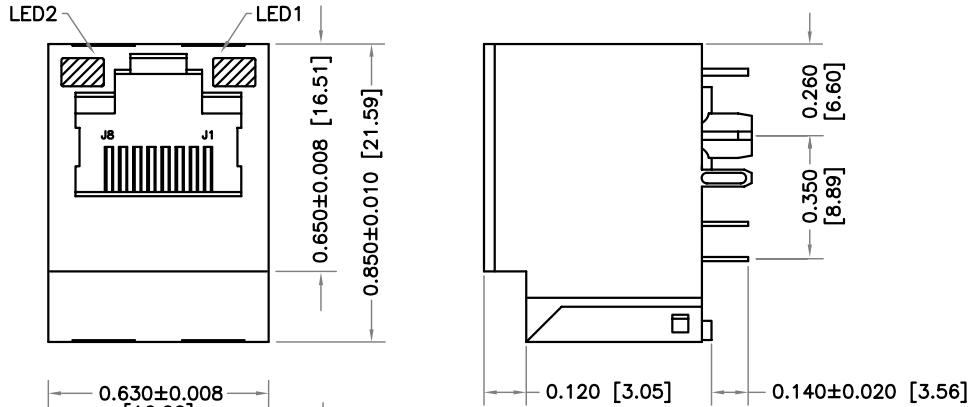
URNS RATIO	1:1 ±3%
OCL (100KHz,0.1V,8mA)	350µH min
INSERTION LOSS	
1-100MHz	-1.1dB max
RETURN LOSS	
1-40MHz	-18dB min
60MHz	-14dB min
80MHz	-12dB min
100MHz	-10dB min
CROSSTALK 1-100MHz	-35dB typ
CMR 0.1-30MHz	-50dB typ
30-60MHz	-40dB typ
60-100MHz	-35dB typ
ISOLATION	1,500Vrms



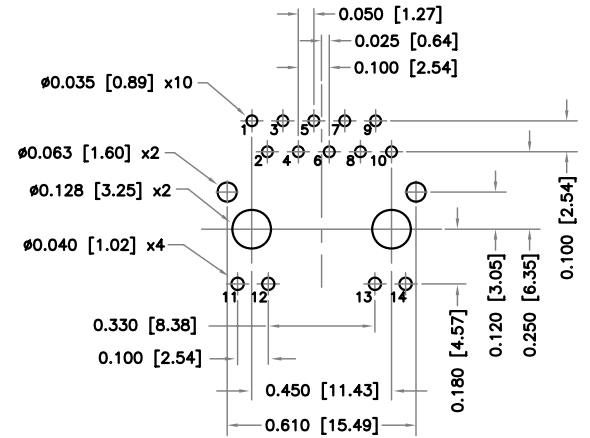
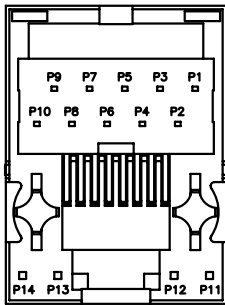
**HALO/PBL**

CALIFORNIA, USA  
KOWLOON, HONG KONG  
SINGAPORE

TITLE	FastJack™ SINGLE VERTICAL		SIGNATURES		DATE	REV.	DESC.	DATE
	FOR	GIGABIT ETHERNET	DRAWN	PETER LU	6/5/07	A	FIRST ISSUE	6/5/07
PART NO.	HFJV1-1G41-L12RL		CHECKED	LEI KEONG	6/5/07			
SCALE	NONE	PAGE	1 OF 2	APPROVED	PETER LU	6/5/07		
				FILE	HFJV11G41-L12RL.DWG			



Housing Material: Polyester, Black UL94V-0  
 Contacts: Phosphor Bronze 30µin Au plating over Ni  
 Leads: Matte Sn over Ni  
 Shield: Cu Alloy with Ni plating 40µin min  
 Durability: 1000 mating cycles  
 Dimensions: Inch [mm]  
 Tolerances; ±0.008 inch if not specified



RECOMMENDED P.C. BOARD PATTERN (COMP. SIDE)

**HALO/PBL**

CALIFORNIA, USA  
 KOWLOON, HONG KONG  
 SINGAPORE

TITLE	FastJack™ SINGLE VERTICAL	SIGNATURES	DATE	REV.	DESC.	DATE
FOR	GIGABIT ETHERNET	DRAWN	PETER LU	6/5/07	A	FIRST ISSUE
PART NO.	HFJV1-1G41-L12RL	CHECKED	LEI KEONG	6/5/07		
SCALE	NONE	APPROVED	PETER LU	6/5/07		
PAGE	2 OF 2	FILE	HFJV11G41-L12RL.DWG			