

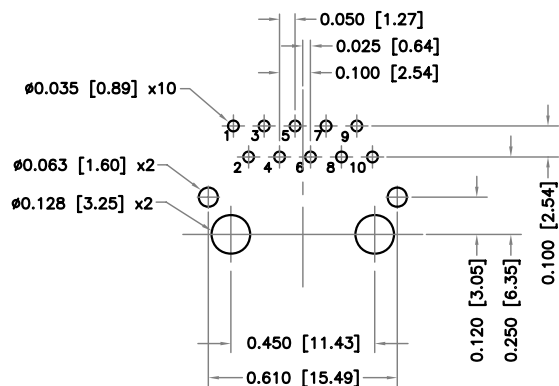
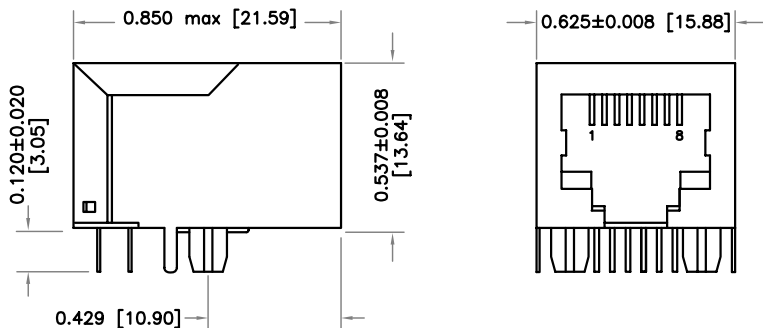


PART NO. : HFJ11-RPE36E-S1RL

FASTJACK™ WITH 10/100BASE-TX MAGNETICS
 DESIGNED FOR FAST ETHERNET PoE APPLICATIONS
 REMOTE POWER FEED (UNUSED PAIRS) UP TO 1.5ADC CURRENT
 RoHS COMPLIANT
 UL/EN60950 RECOGNIZED
 EXTENDED OPERATING TEMPERATURE -40/+85°C

HALO
 HFJ11-RPE36E-S1
 YYWWRL

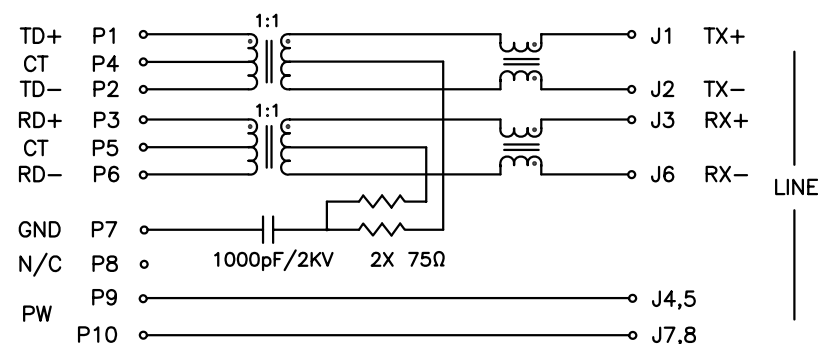
Housing Material: Polyester, Black UL94V-0
 Contacts: Phosphor Bronze 30µin Au plating over Ni
 Leads: Matte Sn over Ni plating
 Shield: Cu Alloy with Ni plating 40µin min
 Durability: 1000 mating cycles
 Dimensions: Inch [mm]
 Tolerances: ±0.008 inch if not specified



RECOMMENDED P.C. BOARD PATTERN (COMP. SIDE)

ELECTRICAL SPECIFICATIONS @ 25° C

TURNS RATIO OCL (100KHz,0.1Vrms,8mA) DCR P1-P2,P3-P6 INSERTION LOSS 0.1-100MHz RETURN LOSS 0.5-30MHz 40MHz 50MHz 60-80MHz CROSSTALK 0.1-100MHz CMR 0.1-30MHz 30-60MHz 60-100MHz ISOLATION	1CT:1 ±3% 350µH min 1.0Ω max -1.1dB max -18dB min -15.5dB min -13.6dB min -12dB min -40dB typ -50dB typ -40dB typ -35dB typ 1,500Vrms
---	---



HALO/PBL

CALIFORNIA, USA
 KOWLOON, HONG KONG
 SINGAPORE

TITLE	FastJack™ SINGLE	SIGNATURES	DATE	REV.	DESC.	DATE
FOR	PoE (FAST ETHERNET)	DRAWN	PETER LU	5/23/07	A	FIRST ISSUE
PART NO.	HFJ11-RPE36E-S1RL	CHECKED	LEI KEONG	5/23/07		
SCALE	NONE	APPROVED	PETER LU	5/23/07		
PAGE	1 OF 1	FILE	RPE36E-S1RL.DWG			