

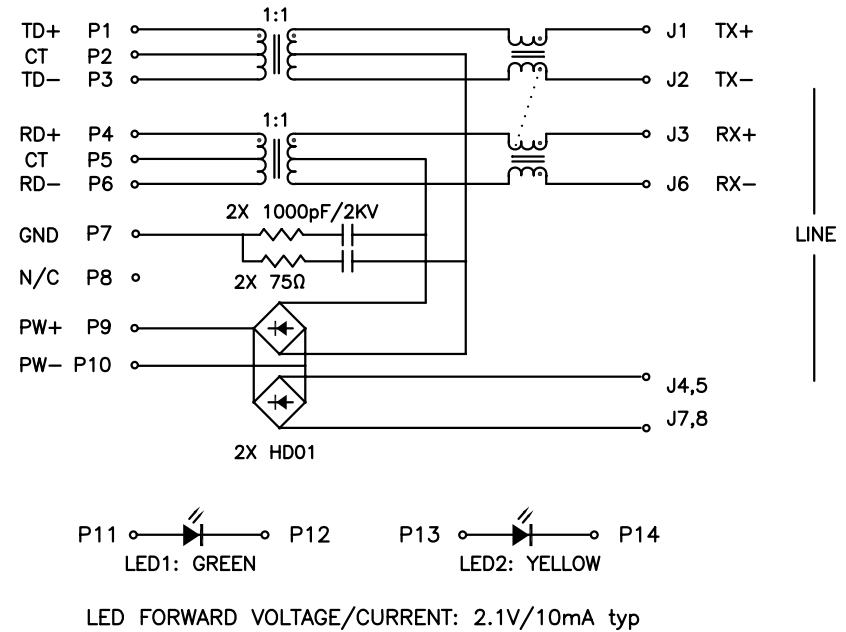
**PART NO. : HFJ11-RP44E-S1L12RL**



FASTJACK™ WITH 10/100BASE-TX MAGNETICS  
 COMPLIANT TO IEEE802.3u STANDARDS  
 DESIGNED FOR PoE, IEEE802.3af APPLICATIONS  
 POWER ON USED OR UNUSED PAIRS FOR UP TO 350mADC  
 LEAD-FREE/RoHS COMPLIANT  
 COMPATIBLE TO LEAD-FREE WAVE SOLDERING PROCESS  
 FOR THROUGH HOLE COMPONENTS  
 OPERATING TEMPERATURE 0/70°C

**ELECTRICAL SPECIFICATIONS @ 25° C**

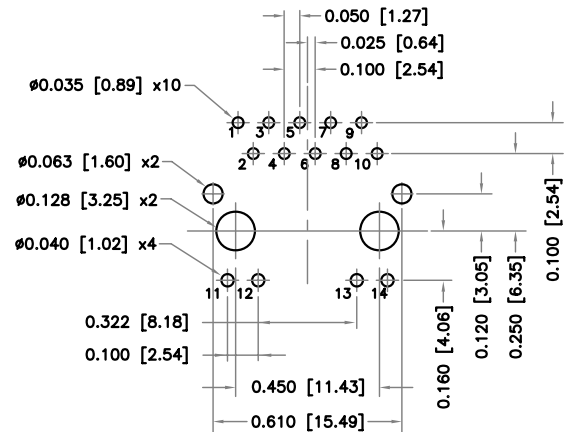
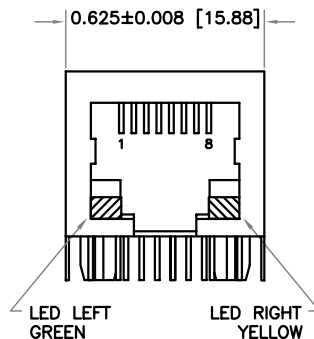
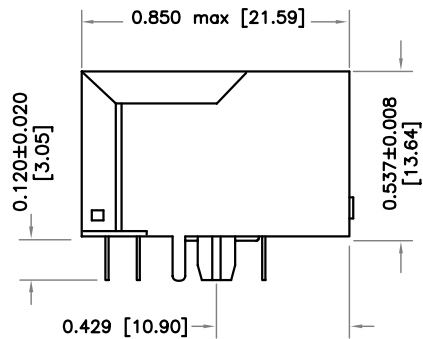
TURNS RATIO	
P1-P3:J1-J2,P4-P6:J3-J6	1CT:1 ±3%
OCL (100KHz,0.1Vrms,8mADC)	
P1-P3,P4-P6	350µH min
INSERTION LOSS	
0.1-100MHz	-1.1dB max
RETURN LOSS	
0.5-30MHz	-18dB min
40MHz	-15.5dB min
50MHz	-13.6dB min
60-80MHz	-12dB min
CROSSTALK 0.1-100MHz	
	-40dB typ
CMR 0.1-30MHz	
30-60MHz	-50dB typ
60-100MHz	-40dB typ
ISOLATION	
	1,500Vrms



**HALO/PBL**

CALIFORNIA, USA  
 KOWLOON, HONG KONG  
 SINGAPORE

TITLE	FastJack™ TAB-DOWN	SIGNATURES	DATE	REV.	DESC.	DATE
FOR	FAST ETHERNET IEEE802.3af	DRAWN	PETER LU	7/18/06	A	
PART NO.	HFJ11-RP44E-S1L12RL	CHECKED				
SCALE	NONE	APPROVED				
PAGE	1 OF 2	FILE	HFJ11-RP44E-S1L12RL.DWG			



RECOMMENDED P.C. BOARD PATTERN (COMP. SIDE)

Housing Material: Polyester, Black UL94V-0  
 Contacts: Phosphor Bronze 30µin Au plating over Ni  
 Leads: Matte Sn over Ni plating  
 Shield: Cu Alloy with Ni plating 40µin min  
 Durability: 1000 mating cycles  
 Dimensions: Inch [mm]  
 Tolerances: ±0.008 inch if not specified

<b>HALO/PBL</b>	TITLE	FastJack™ TAB-DOWN	SIGNATURES	DATE	REV.	DESC.	DATE
	FOR	FAST ETHERNET IEEE802.3af	DRAWN	PETER LU	7/18/06	A	
CALIFORNIA, USA KOWLOON, HONG KONG SINGAPORE	PART NO.	HFJ11-RP44E-S1L12RL	CHECKED				
	SCALE	NONE	APPROVED				
	PAGE	2 OF 2	FILE	HFJ11-RP44E-S1L12RL.DWG			