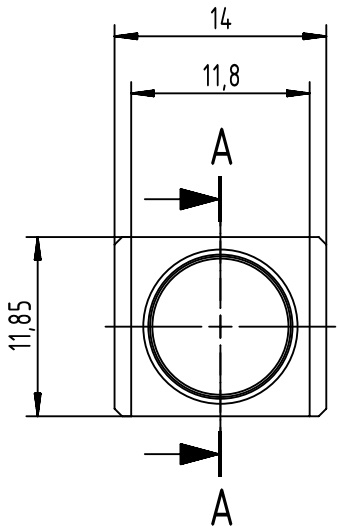


A

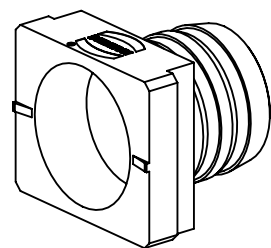
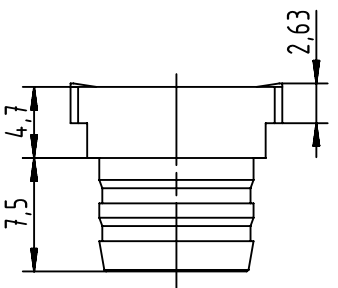
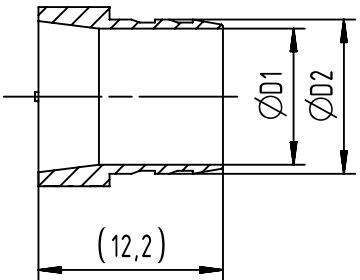
B

C

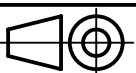
D



A-A



61 03 000 0164	10,8	11,8
61 03 000 0162	10	11
61 03 000 0072	9	10
61 03 000 0165	8,5	9,5
61 03 000 0071	8	9
61 03 000 0070	7,5	8,5
61 03 000 0069	7	8
61 03 000 0068	6,5	7,5
61 03 000 0067	6	7
61 03 000 0166	5,5	6,5
61 03 000 0066	5	6
61 03 000 0065	4,5	5,5
61 03 000 0064	4	5
61 03 000 0063	3,5	4,5
61 03 000 0062	3	4
Part number	ØD1	ØD2



All Dimensions in mm
Original Size DIN A4

Scale
2:1

Free size tol.

Ref.

Sub.



All rights reserved
Department EL PD

Created by
ZHUANGJ

Inspected by
ZENGD

Standardisation
302077

Date
2021-01-12

State
Final Release

Title
InduCom crimp flange

Doc-Key / ECM-Nr.
100075770/UGD/001/D
500000187006

Type
TB

Number
61030000ZZZ

Rev.
D

Page
1/1

HARTING
D-32339 Espelkamp