

5

4

3

2

1

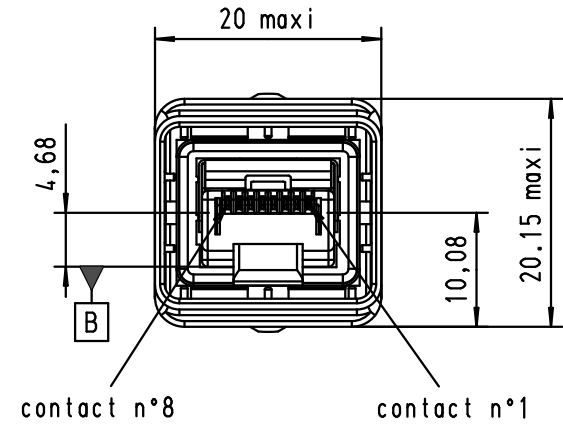
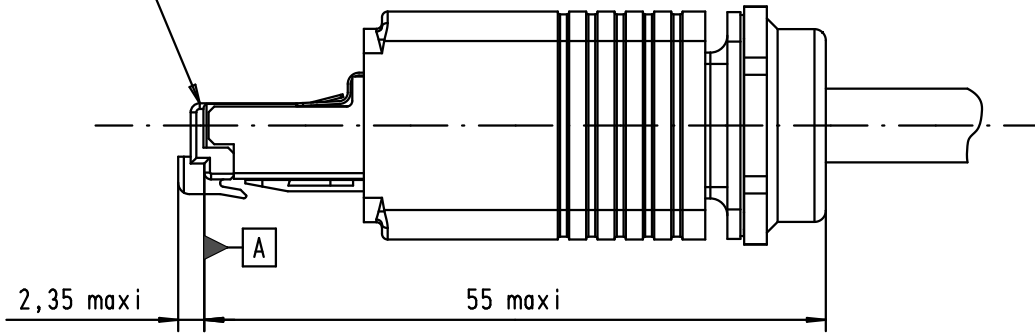
D

C

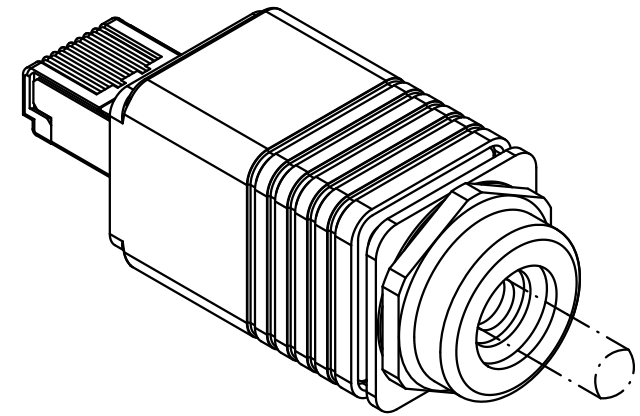
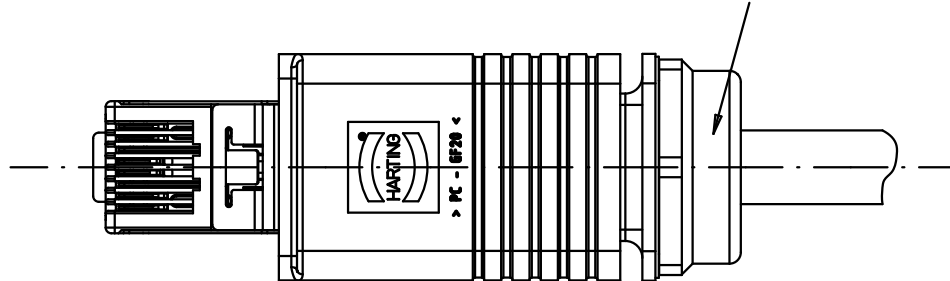
B

A

mating face according to IEC 60603-7



sealing gland, washer and nut PG9

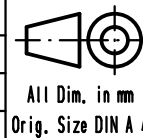


cable diameter: 6,5 to 7,2 mm
Stranded wire AWG 24-26

Data contact plating: Au 1,27 um over nickel

09 45 145 15 10 Data connector with Blue wires manager
09 45 145 15 00 Data connector with White wires manager

			Dat.	Name
			Detail.	20/05/04 A. Fakhri
			Insp.	
35656	16/02/09	AB	Stand.	
35652	12/02/09	AB		
31904	20/05/04	AF		
Mod.	Dat.	Name	HARTING E.U.R.L F-95972 Paris	



RJ-Industrial
HARTING PushPull plastic RJ45
IP65/67 shielded plug cat6
with 8 data contacts

TB 09 45 145 15X0

Sub.

Maßstab/
Scale
1,5:1
Blatt/ Page
1/1